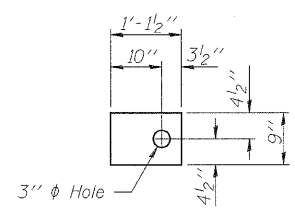
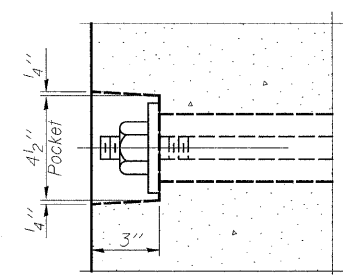


FABRIC BEARING PAD
(Interior)
8 Required

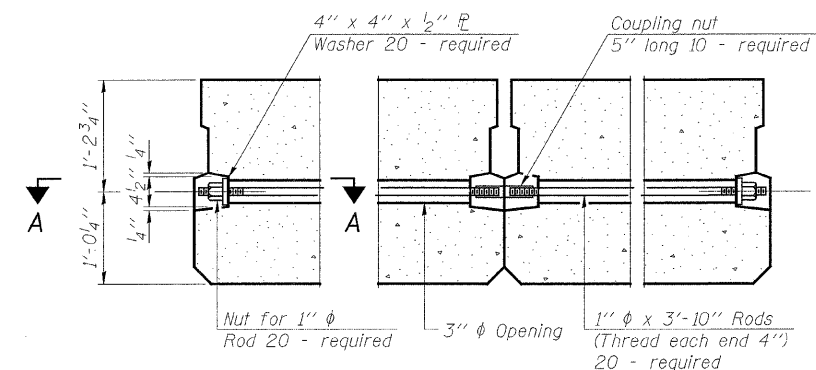


FABRIC BEARING PAD
(Exterior)
*8 Required
FIXED

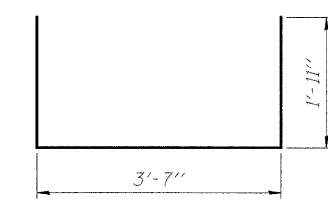
* 2 exterior pads are to be used at crown break of abutment cap, each abutment



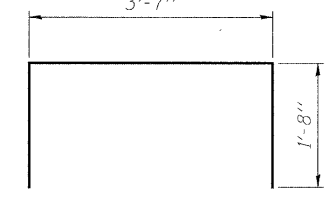
SECTION A-A



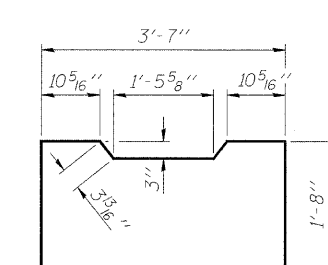
TYPICAL TRANSVERSE TIE ASSEMBLY



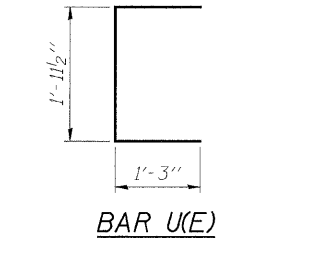
BAR S(E)



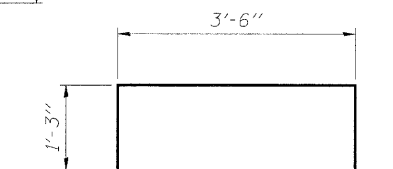
BAR S1(E)



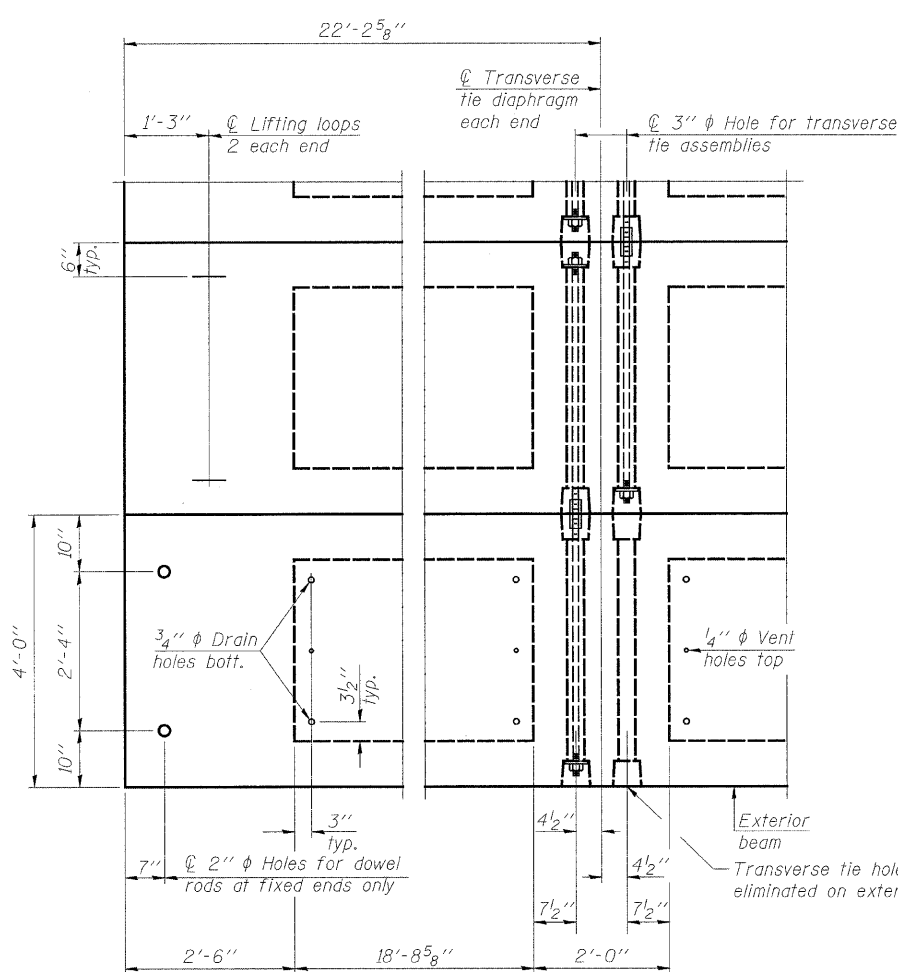
BAR S2(E)



BAR U(E)

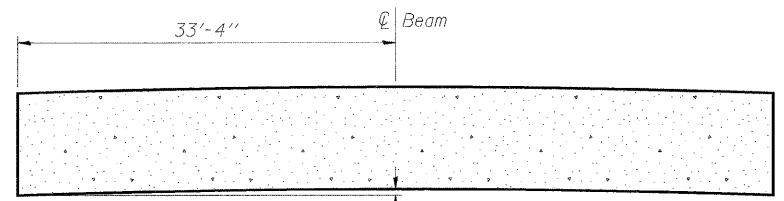


BAR U1(E)

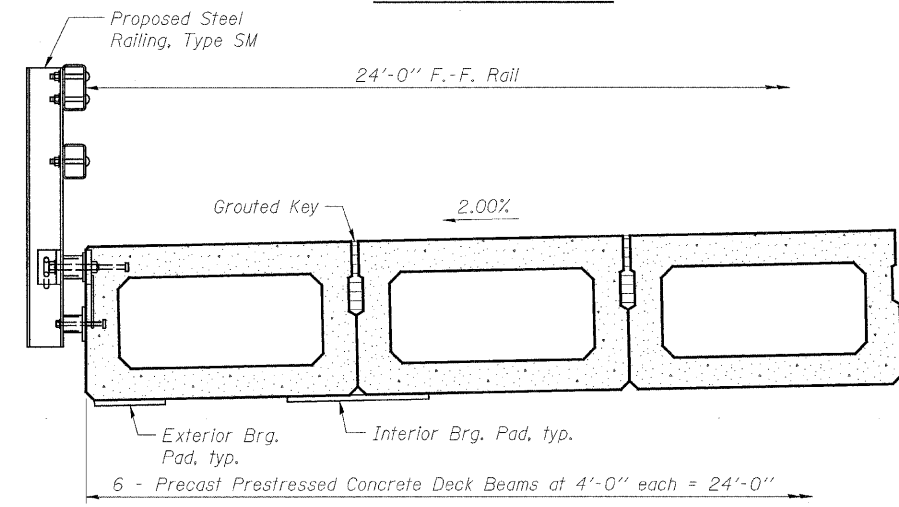


PLAN VIEW

Note: Connect beams in pairs with the transverse tie configuration shown.



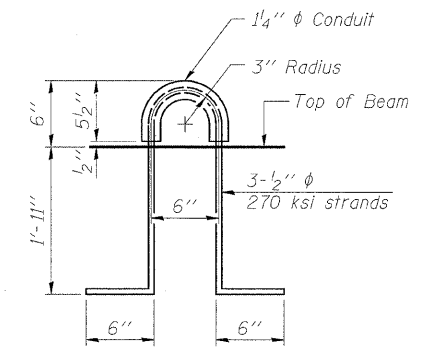
CAMBER DIAGRAM



HALF CROSS SECTION

NOTES

- Prestressing steel shall be uncoated high strength, low relaxation 7-wire strand, Grade 270. The nominal ϕ shall be $\frac{1}{2}$ " and the nominal cross-sectional area shall be 0.153 sq. in.
- The 1" ϕ rods in the transverse tie assembly shall be tightened to a snug fit and the threads set. Pockets on exterior faces of bridge shall be filled with grout after transverse tie assembly is in place.
- Reinforcement bars shall conform to ASTM A 706, Grade 60. (See Special Provisions).
- Two $\frac{1}{8}$ " fabric adjusting shims of the dimensions of the exterior bearing pad shall be provided for each bearing pad location.
- A minimum 2 1/2" ϕ lifting pin shall be used to engage the lifting loops during handling.
- Corrosion Inhibitor, per Article 1020.05(b)(12) and 1021.06 of the Standard Specifications, shall be used in the concrete for precast prestressed concrete deck beams.
- Compressive strength of prestressed concrete, f'_c , shall be 6000 psi.
- Compressive strength of prestressed concrete at release, f'_{ci} , shall be 5000 psi.



LIFTING LOOP DETAIL

BILL OF MATERIAL

Item	Unit	Quantity
Precast Prestressed Conc. Deck Bms. (27" depth)	Sq. Ft.	1,600

27" X 48" PPC DECK BEAM DETAILS
TR 257 (N. 1600 AVE.) OVER KING CREEK
STA. 20+10 (S.N. 006-4247)
SECTION 07-17137-00-BR
MINERAL ROAD DISTRICT
BUREAU COUNTY
WHA # 1115D08

STRUCTURAL SHEET NO. 4 OF 9 SHEETS	T.R. RTE.	SECTION	COUNTY	TOTAL SHEETS	SHEET NO.
	257	07-17137-00-BR	BUREAU	27	15
CONTRACT NO. 87381					
FED. ROAD DIST. NO. 7 ILLINOIS FED. AID PROJECT BROS-0011(071)					

FILE NAME = s:\Struct\1115D08\Drawings\1115beam.dgn