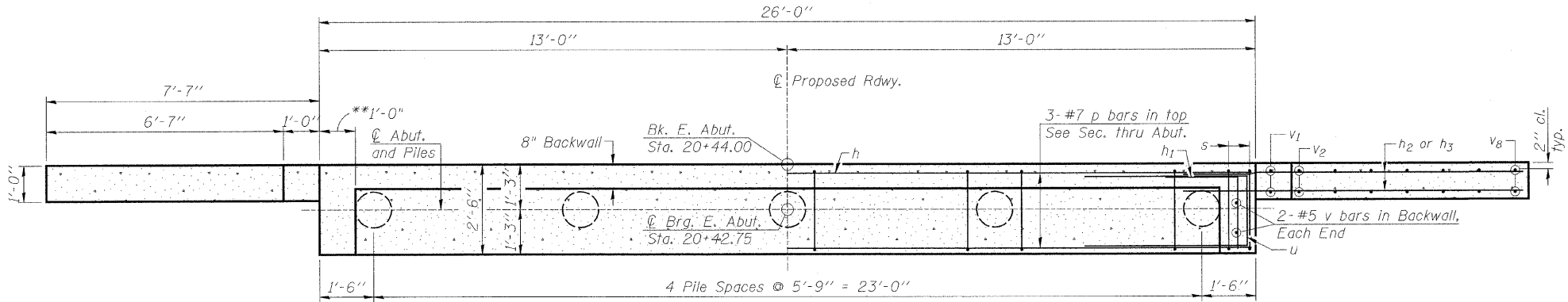
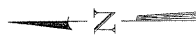


ELEVATION VIEW
(Looking East)

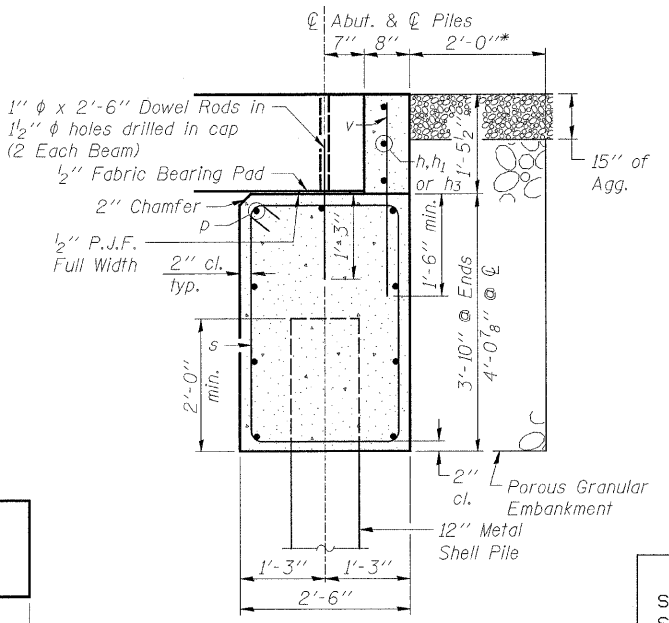


SHOWING DIMENSIONS

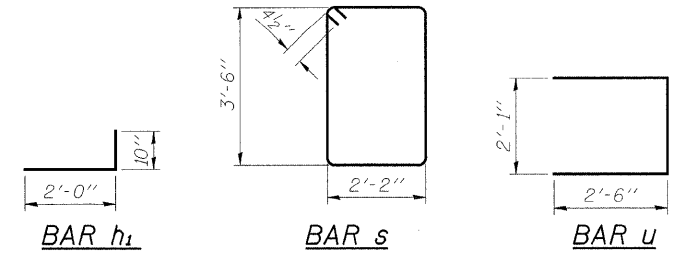
SHOWING REINFORCING

PLAN VIEW

** May vary due to over run of beams



SECTION THRU ABUTMENT
*Pay Limits of Porous Granular Embankment



BILL OF MATERIAL-E. ABUT.

Bar	No.	Size	Length	Shape
h	3	#5	25'-8"	—
h ₁	6	#5	2'-10"	┌
h ₂	16	#6	10'-2"	—
h ₃	12	#4	9'-8"	—
p	9	#7	25'-8"	—
s	24	#4	12'-1"	□
u	8	#6	7'-1"	▭
v	31	#5	3'-8"	—
v ₁	4	#4	5'-9"	—
v ₂	4	#4	5'-8"	—
v ₃	4	#4	5'-2"	—
v ₄	4	#4	4'-8"	—
v ₅	4	#4	4'-2"	—
v ₆	4	#4	3'-8"	—
v ₇	4	#4	3'-2"	—
v ₈	4	#4	2'-8"	—
Porous Granular Embankment			Cu. Yd.	9.5
Concrete Structures			Cu. Yd.	13.7
Reinforcement Bars			Pound	1,390
Furnishing Metal Shell Piles, 12" x 0.250"			Foot	120
Driving Piles			Foot	120
Test Pile			Each	1

NOTES:

Hatched portion of wingwalls to be poured with the backwall after the deck beams have been installed and grout has cured for a minimum of 24 hours.
Wing reinforcement shown is typical, unless shown otherwise.
All exposed edges shall have standard 3/4" chamfers, except as noted.
Space reinforcement in cap to miss dowel rods.
After beams have been erected, holes shall be drilled into substructure and anchor dowels placed. Dowel holes shall be filled with non-shrink grout to top of beam and allowed to cure a min. of 24 hours prior to grouting the shear keys.
For Metal Shell Pile Details see structural sheet 8 of 9.

EAST ABUTMENT DETAILS
TR 257 (N. 1600 AVE.) OVER KING CREEK
STA. 20+10 (S.N. 006-4247)
SECTION 07-17137-00-BR
MINERAL ROAD DISTRICT
BUREAU COUNTY
WHA # 1115D08

PILE DATA

Type & Size	Metal Shell - 12" dia. x 0.250" walls
Nominal Required Bearing	245 k
Factored Resistance Available	123 k
Est. Length	30'
No. Production Piles	4
No. Test Piles	1

STRUCTURAL SHEET NO. 6 OF 9 SHEETS	T.R. RTE.	SECTION	COUNTY	TOTAL SHEETS	SHEET NO.
	257	07-17137-00-BR	BUREAU	27	17
			CONTRACT NO. 87381		
FED. ROAD DIST. NO. 1 ILLINOIS FED. AID PROJECT BROS-0011(071)					

FILE NAME = s:\bham\1115D08\Drawings\1115EABUT.dgn