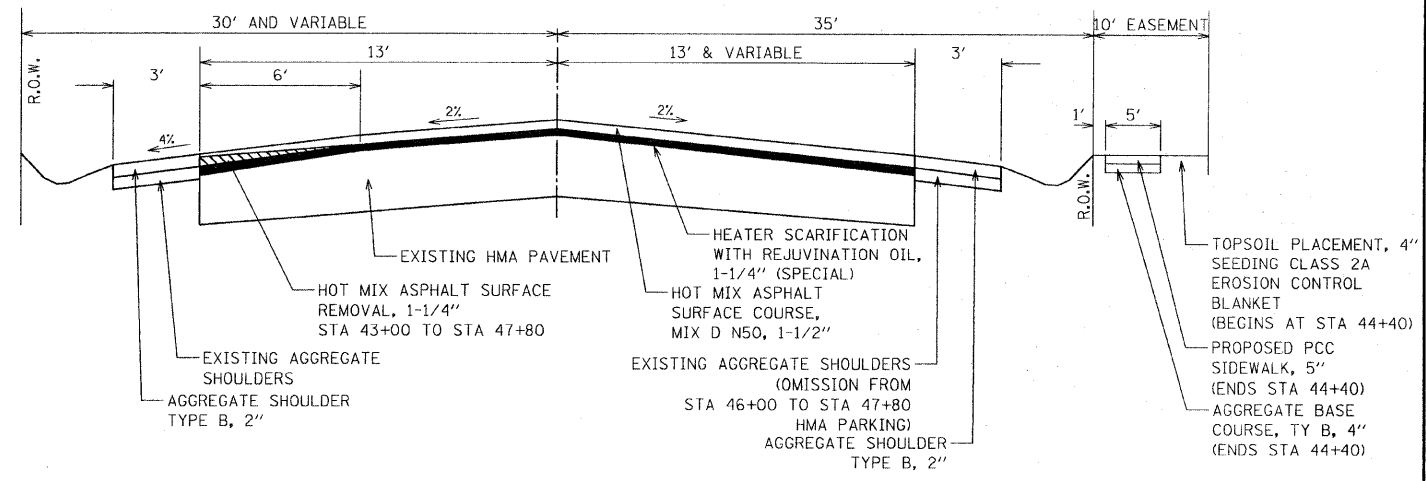
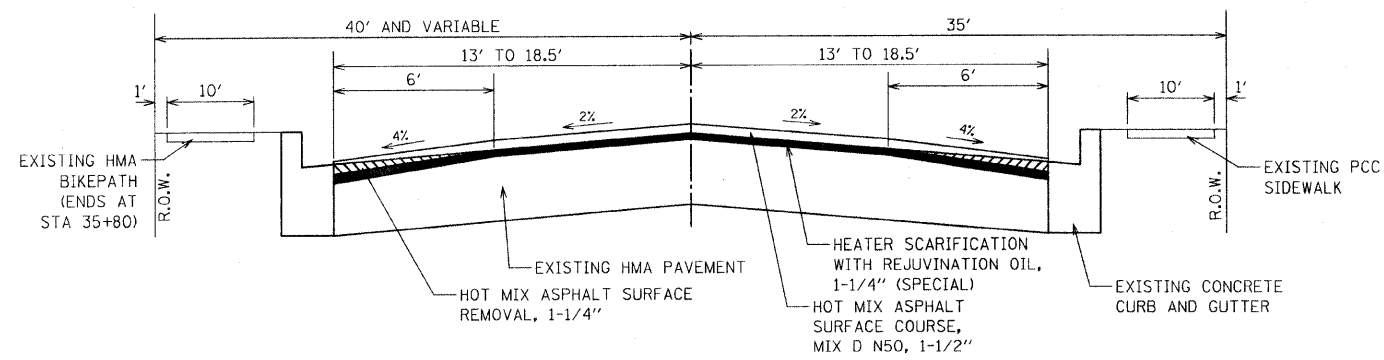


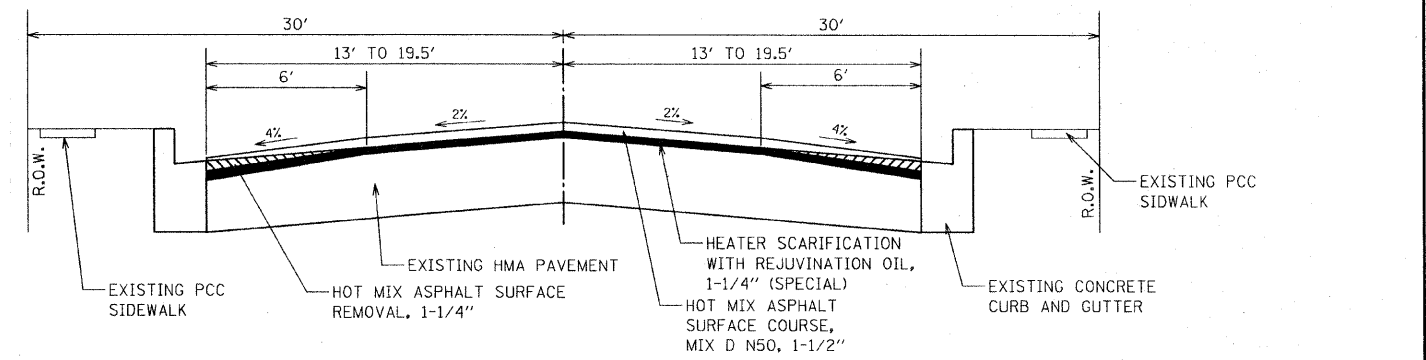
STA 10+47 TO 34+52



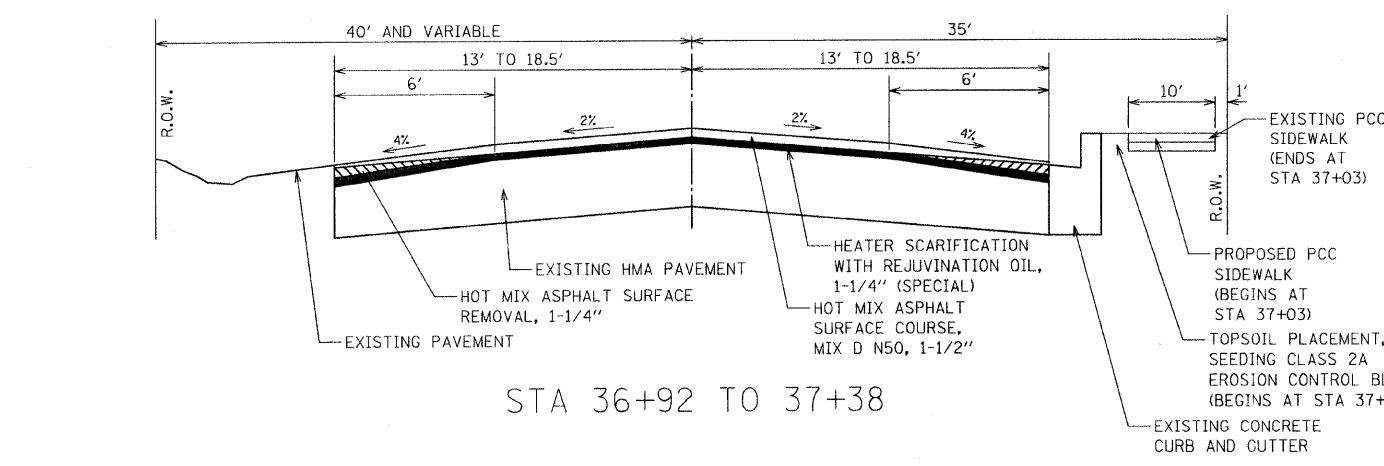
STA 37+38 TO 47+80



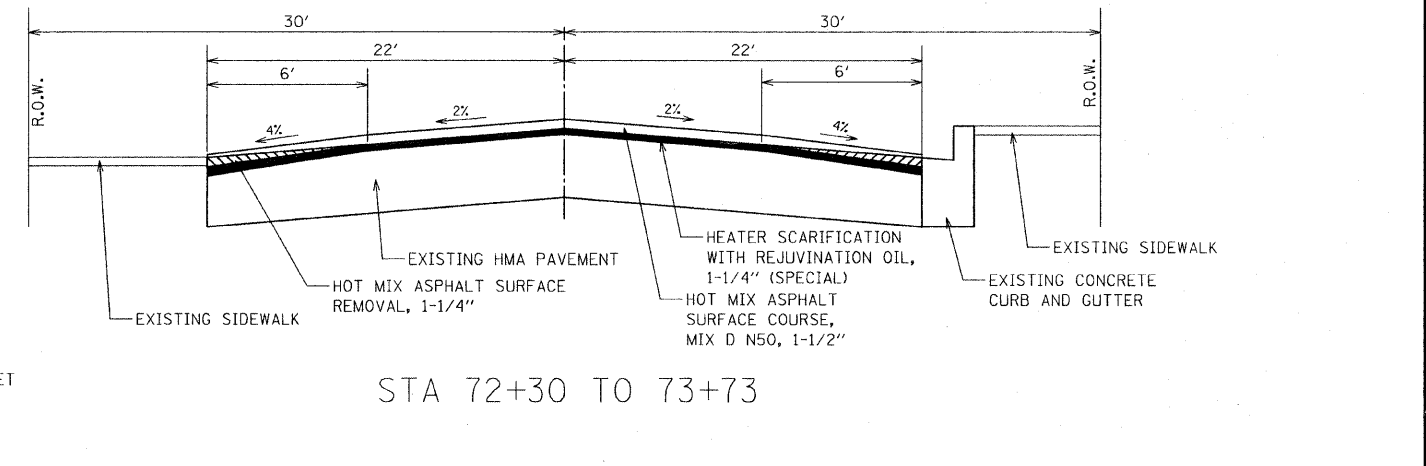
STA 34+52 TO 36+92



STA 47+80 TO 72+30



STA 36+92 TO 37+38



STA 72+30 TO 73+73

FILE NAME =	USER NAME = #USER#	DESIGNED - JAR	REVISED - DWS 6-29-2009
#FILE#		DRAWN - DWS	REVISED -
	PLOT SCALE = #SCALE#	CHECKED -	REVISED -
	PLOT DATE = #DATE#	DATE - 6-2-2009	REVISED -

**STATE OF ILLINOIS  
DEPARTMENT OF TRANSPORTATION**

<b>Typical Sections</b>	
SCALE:	SHEET NO. 4 OF 13 SHEETS
STA.	TO STA.

F.A.U. RTE. 6470	SECTION 09-00037-00-RS	COUNTY KENDALL	TOTAL SHEETS 13	SHEET NO. 4
CONTRACT NO. 87417				
ILLINOIS FED. AID PROJECT				