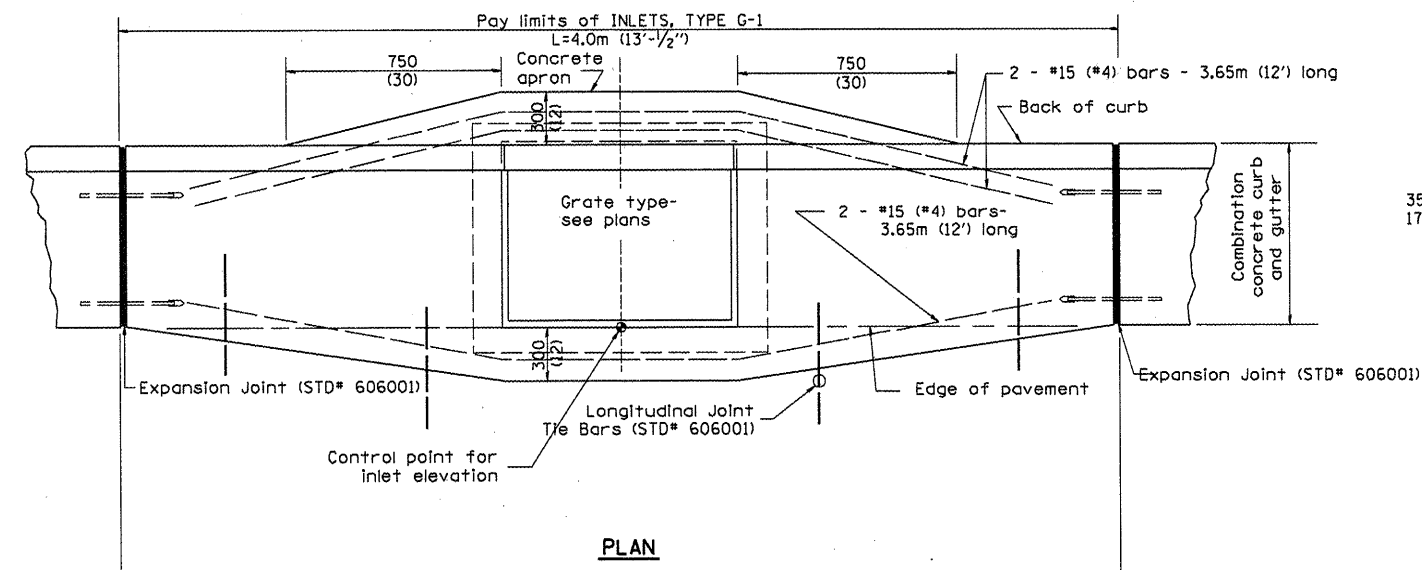


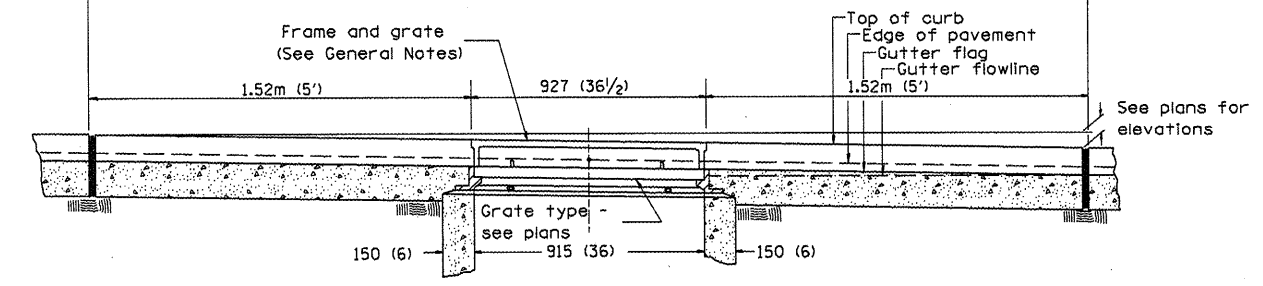
89507

| | | | | |
|---------------------|---------------------------|--------|--------------|-----------|
| F.A. RTE. | SECTION | COUNTY | TOTAL SHEETS | SHEET NO. |
| STA. | TO STA. | | | |
| FED. ROAD DIST. NO. | ILLINOIS FED. AID PROJECT | | | |

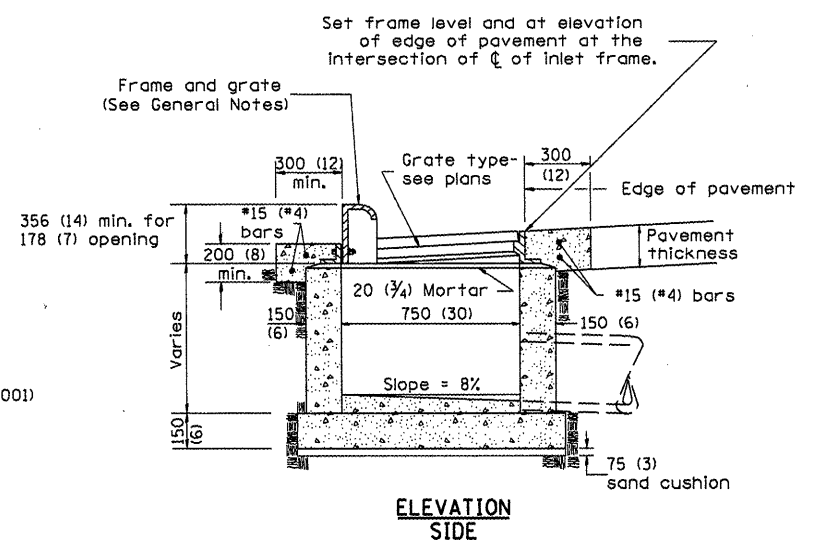
DESIGNER NOTES:
 1. Include State Standard 606001 for combination concrete curb and gutter details.
 2. Include State Standard 420001 for pavement joints.
 3. Include District CADD Standard for frame and grates and specify grate type in plans.
 4. Include District CADD Special Provision. Pay item includes transitional c.c.c. & g., inlet and frame and grate. All work within pay limits.
 5. The designer should include pavement removal quantities when the apron requires pavement removal.



PLAN



ELEVATION FRONT



ELEVATION SIDE

GENERAL NOTES

1. Inlet construction shall be in accordance with Section 602 of the Standard Specifications.
2. Combination Concrete Curb & Gutter shall be constructed in accordance with Section 606 of the Standard Specifications.
3. See District CADD Standard 604001-D4 for frame and grates.

All dimensions are in millimeters (inches) unless otherwise noted.

| DATE | REVISIONS | BY |
|-------|---------------------------------|------|
| 11-97 | RENUM. B-4.01, NEW REVISION BOX | T.P. |
| 10-99 | REVISION TO GENERAL NOTES | J.A. |
| 2-00 | REVISION TO DESIGNER NOTES | J.A. |
| | | |
| | | |
| | | |

| | |
|---------------------------------------|--------------------|
| ILLINOIS DEPARTMENT OF TRANSPORTATION | |
| DISTRICT CADD STANDARD | |
| INLETS, TYPE G-1 | |
| CADD STD NO. 602001-D4 | SCALE NOT TO SCALE |
| DATE | DRAWN BY CADD |
| | CHECKED BY |