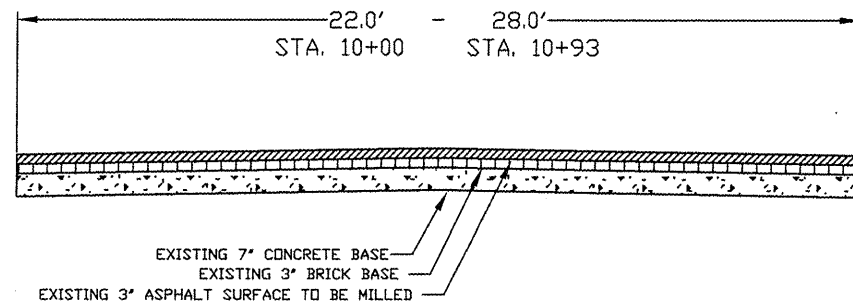
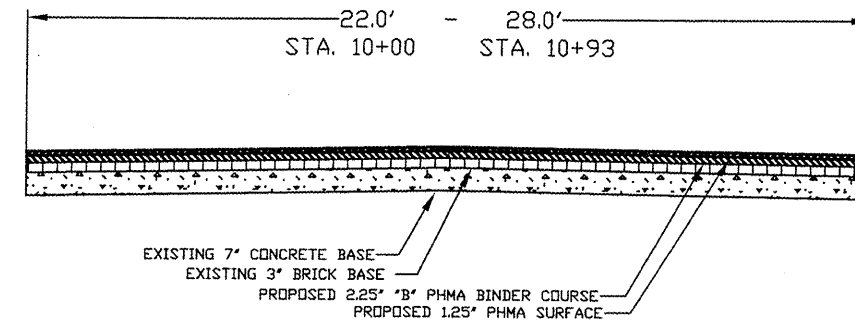


CONTRACT #	SECTION #	TOTAL SHEETS	SHEET NO.
89519	09-00501-25-RS	8	3

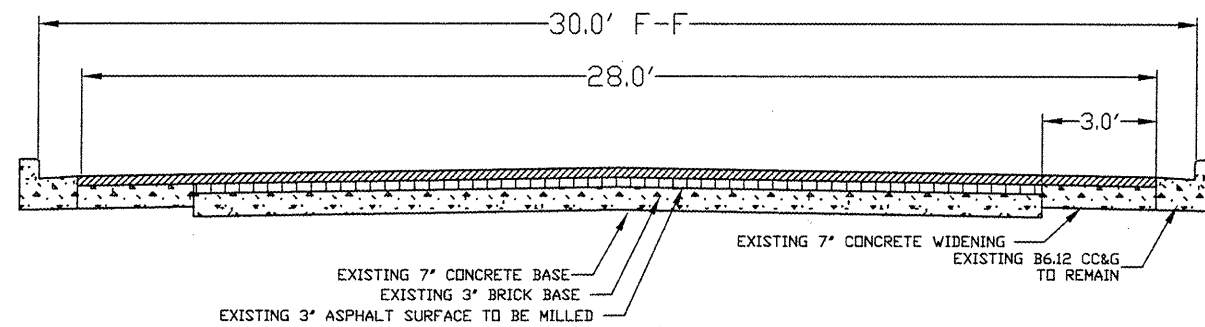
**EXISTING TYPICAL SECTION**  
STA. 10+00 - 10+93  
NOT TO SCALE



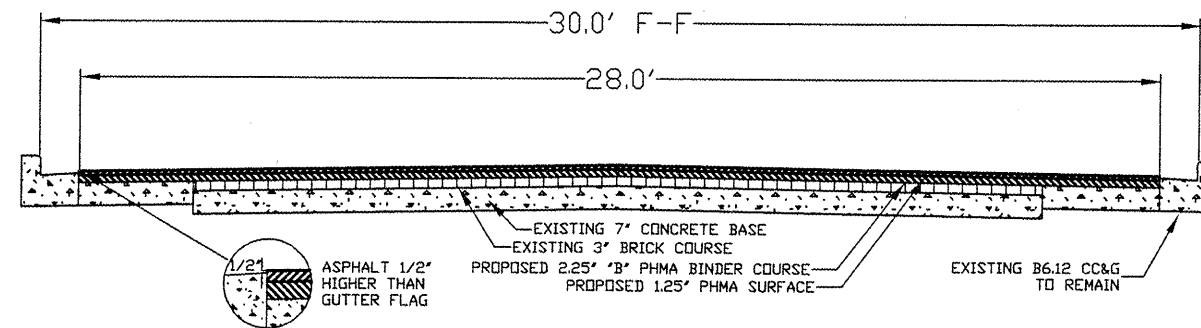
**PROPOSED TYPICAL SECTION**  
STA. 10+00 - 10+93  
NOT TO SCALE



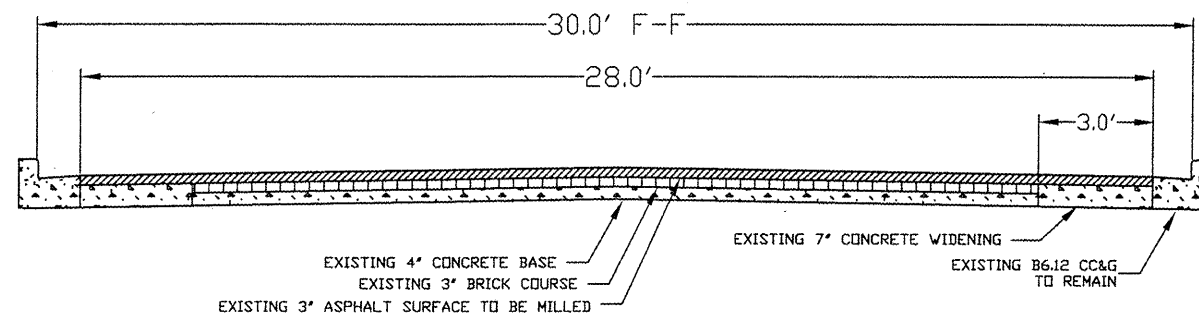
**EXISTING TYPICAL SECTION**  
STA. 10+93 - 23+10  
NOT TO SCALE



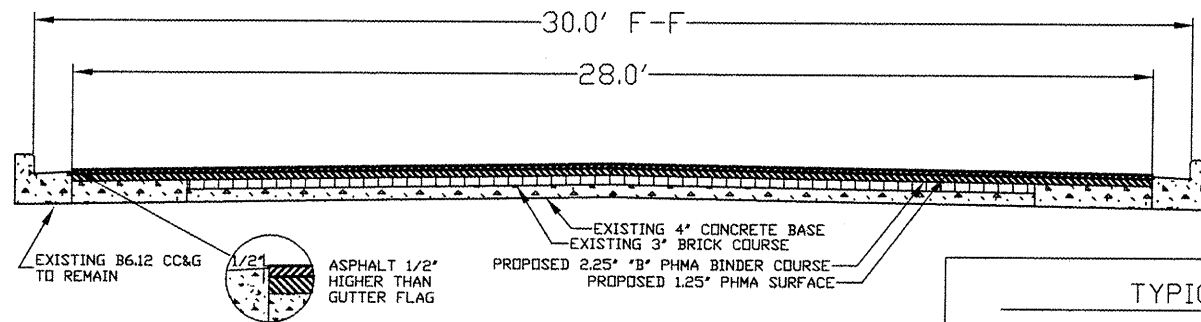
**PROPOSED TYPICAL SECTION**  
STA. 10+93 - 23+10  
NOT TO SCALE



**EXISTING TYPICAL SECTION**  
STA. 23+10 - 37+08.5  
NOT TO SCALE




**PROPOSED TYPICAL SECTION**  
STA. 23+10 - 37+08.5  
NOT TO SCALE



**TYPICALS**

S. SEMINARY STREET RESURFACING  
SECTION # 09-00501-25-RS



**ALESBURG, ILLINOIS**  
*Proud Past • Strong Future*