

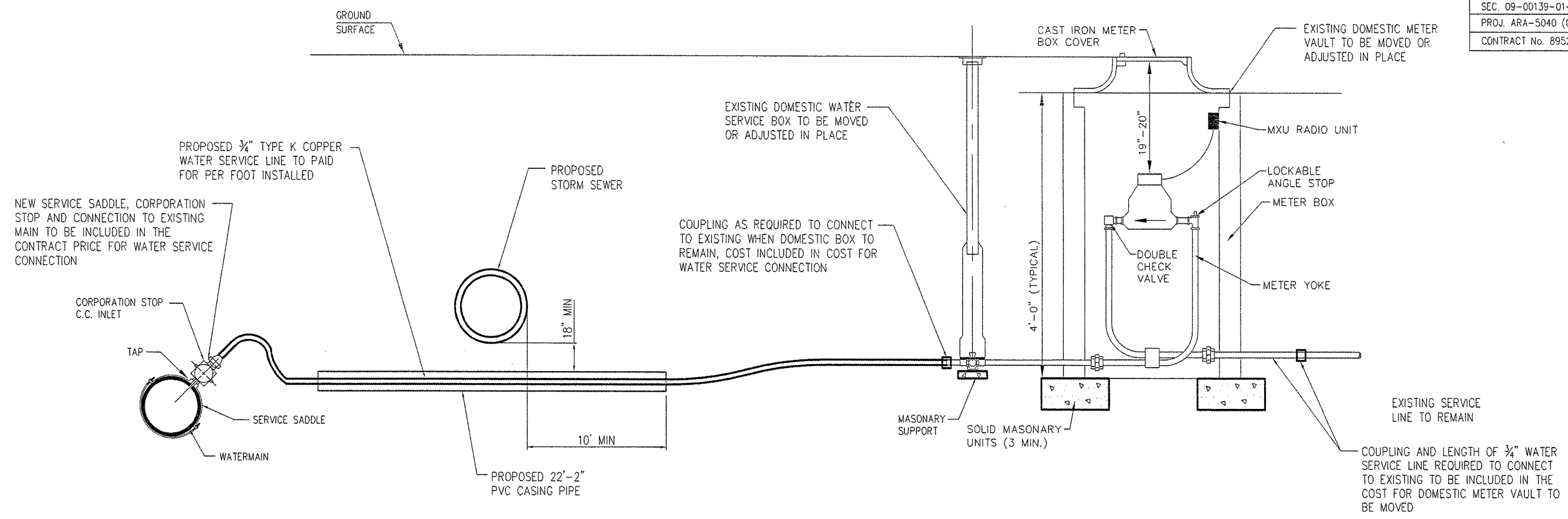
McClure
 Engineering Associates, Inc.
 114 East Jackson Street
 Macomb, Illinois 61455
 (815) 833-4554
 FAX (815) 833-4505
 Copyright 2009 by McClure Engineering Associates, Inc.
 Design Firm License #184-00816

PLOTTING SCALE: 1" = 1'
 DRAWN BY: FAB
 CHECKED BY: JAR
 DATE: MARCH 2009

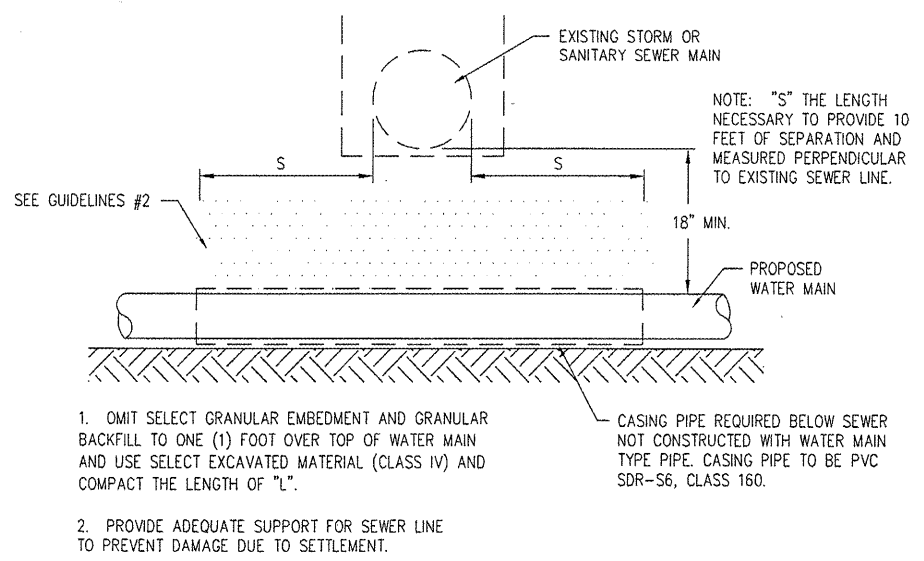
NO.	REVISIONS	DATE

WARD STREET IMPROVEMENTS - PHASE 2
TYPICAL WATER MAIN DETAILS
 CITY OF MACOMB

SOUTH WARD ST.
 FILE NAME: \\MACOMB\WARD\ST\PHASE 2\WARD-ST-PH2-TYPSEC.DWG FIELD BOOK No. 2257 JOB NUMBER: 03-29-09099



TYPICAL WATER SERVICE ADJUSTMENT DETAIL

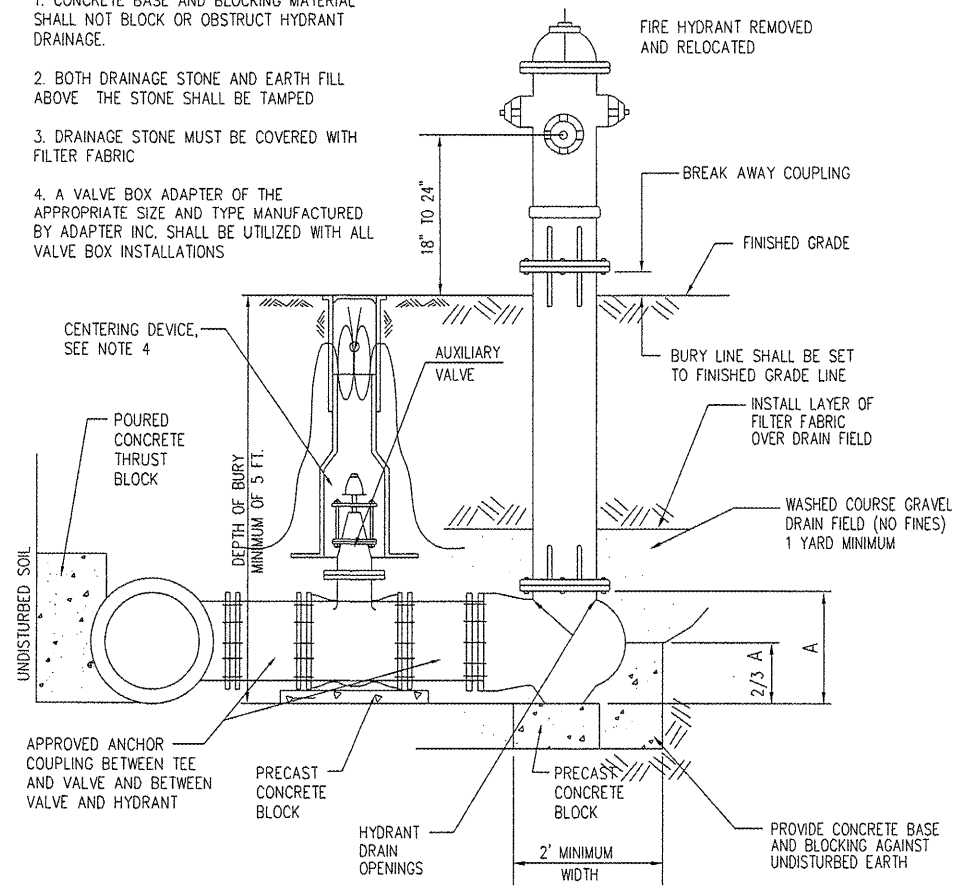


- OMIT SELECT GRANULAR EMBEDMENT AND GRANULAR BACKFILL TO ONE (1) FOOT OVER TOP OF WATER MAIN AND USE SELECT EXCAVATED MATERIAL (CLASS IV) AND COMPACT THE LENGTH OF "L".
- PROVIDE ADEQUATE SUPPORT FOR SEWER LINE TO PREVENT DAMAGE DUE TO SETTLEMENT.

WATER AND SEWER SEPARATION REQUIREMENTS

NOT TO SCALE

- HYDRANT INSTALLATION NOTES:**
- CONCRETE BASE AND BLOCKING MATERIAL SHALL NOT BLOCK OR OBSTRUCT HYDRANT DRAINAGE.
 - BOTH DRAINAGE STONE AND EARTH FILL ABOVE THE STONE SHALL BE TAMPED
 - DRAINAGE STONE MUST BE COVERED WITH FILTER FABRIC
 - A VALVE BOX ADAPTER OF THE APPROPRIATE SIZE AND TYPE MANUFACTURED BY ADAPTER INC. SHALL BE UTILIZED WITH ALL VALVE BOX INSTALLATIONS



HYDRANT INSTALLATION DETAIL

I:\PROJECTS\DRAWINGS\MACOMB\WARD ST\PHASE 2\WARD-ST-PH2-TYPSEC.dwg, 3/25/2009 9:54:06 AM