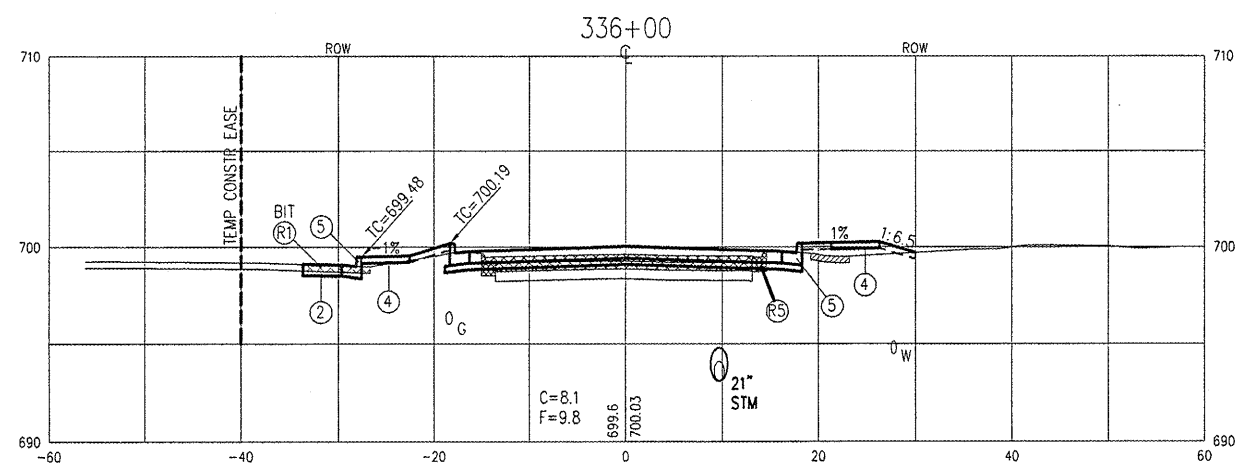
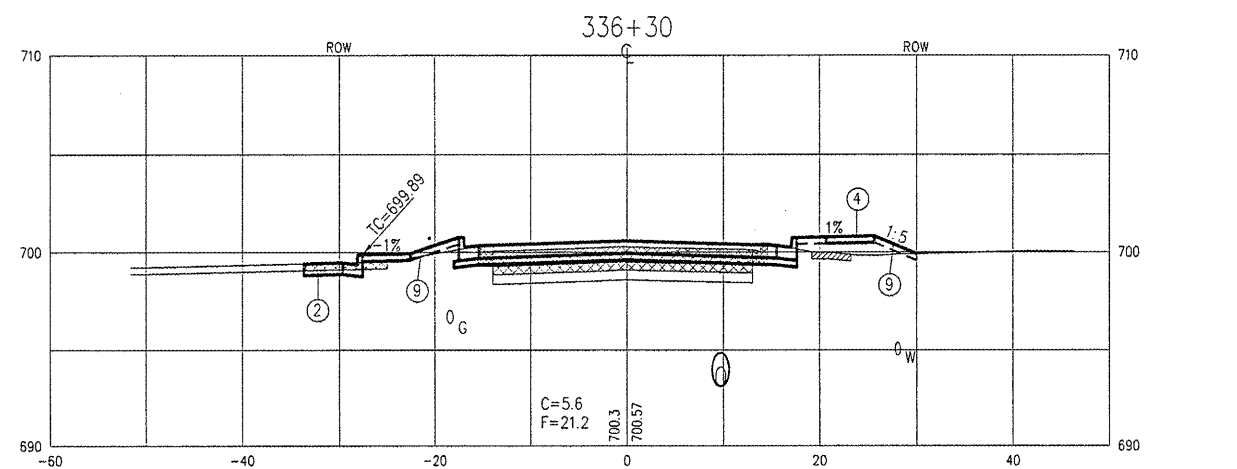
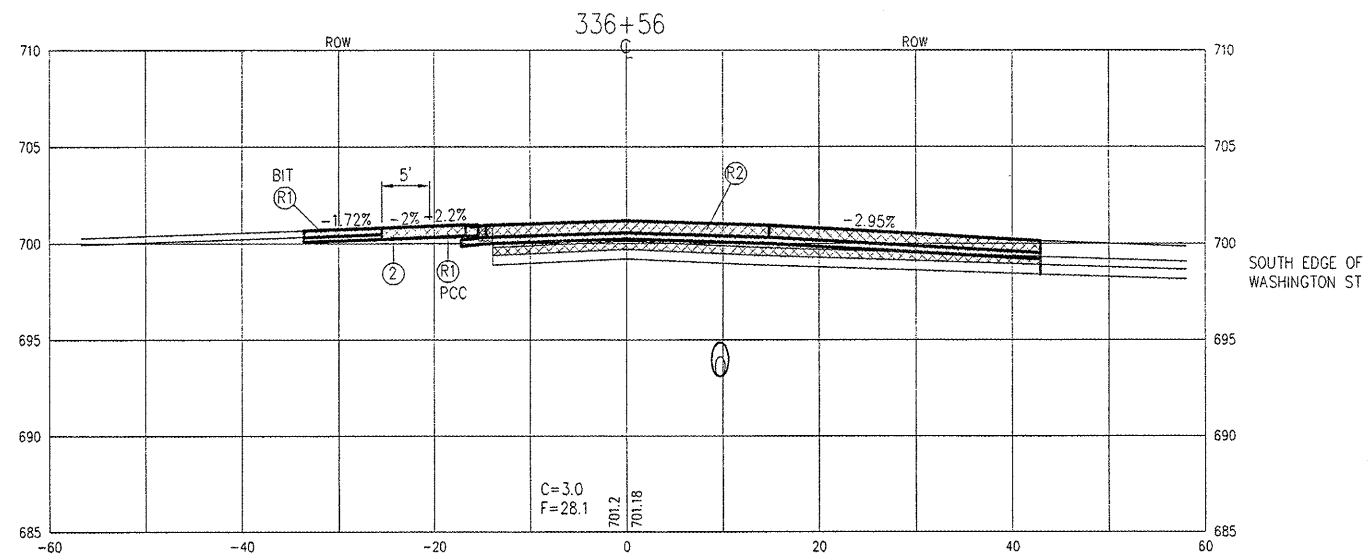


PLOTTING SCALE:	1" = 10'
DRAWN BY:	TAB
CHECKED BY:	JAR
DATE:	MARCH 2009

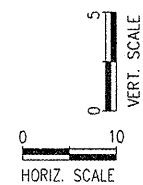
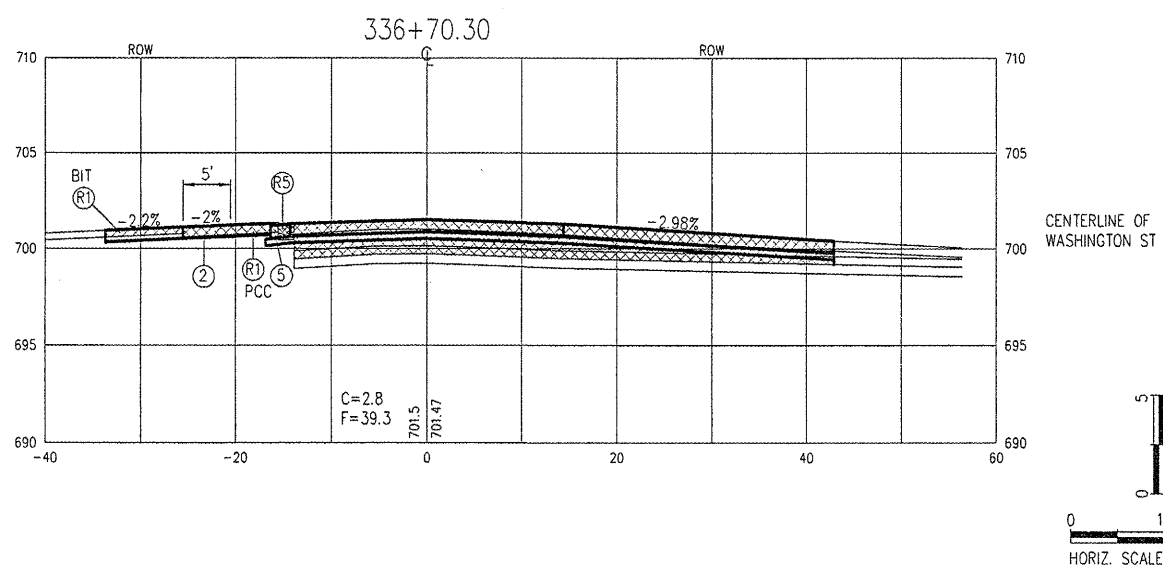
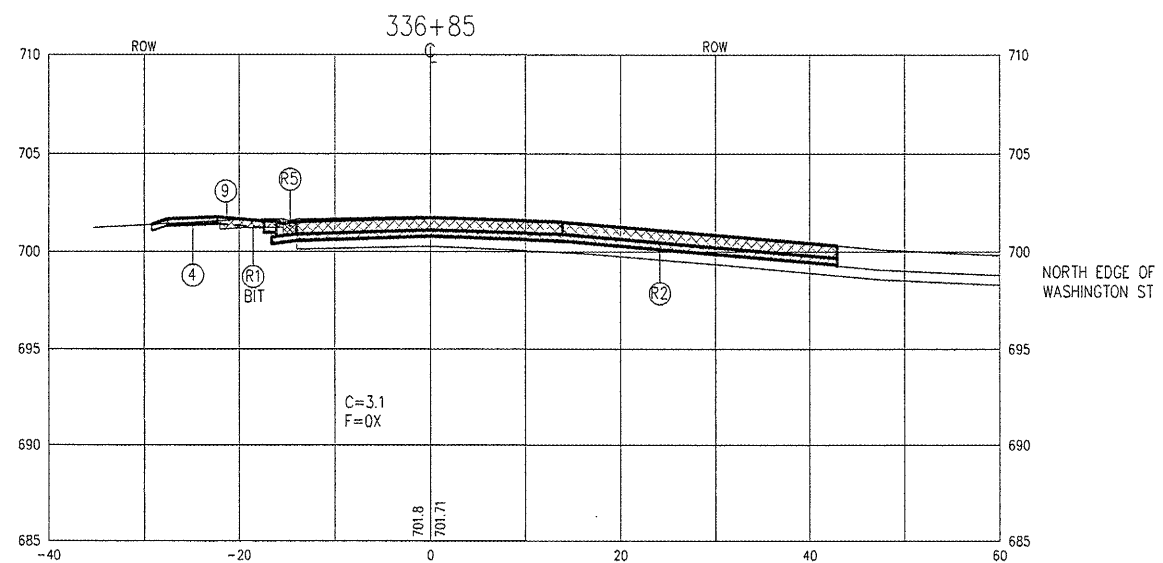
REVISIONS		DATE
NO.	ITEM	

WARD STREET IMPROVEMENTS - PHASE 2
CROSS SECTIONS - STA. 336+00 TO 336+85
 CITY OF MACOMB
 SOUTH WARD ST.
 FILE NAME: \\MACOMB\WORKS\PHASE 2\WARD-ST-PH2-1-SEC.DWG FIELD BOOK No. 2257 JOB NUMBER: 03-28-08089



LEGEND

- | | | |
|--|---|------------------------------|
| ① PCC DRIVEWAY PAVEMENT, 6" | ④A PCC SIDEWALK 5" | Ⓡ1 DRIVEWAY PAVEMENT REMOVAL |
| ② PCC DRIVEWAY PAVEMENT, 7" | ⑤ COMB. CONC. CURB & GUTTER, TYPE B6.1B | Ⓡ2 PAVEMENT REMOVAL |
| ③ AGGREGATE SURFACE COURSE, TYPE A, 6" | ⑧ AGGREGATE SURFACE COURSE, TYPE A, 8" | Ⓡ3 BRICK SIDEWALK REMOVAL |
| ④ PCC SIDEWALK, 4" | ⑨ TOPSOIL PLACEMENT, 4" | Ⓡ4 CONCRETE SIDEWALK REMOVAL |
| | | Ⓡ5 CURB AND GUTTER REMOVAL |



V:\PROJECT\DRAWINGS\MACOMB\WARD ST\PHASE 2\WARD-ST-PH2-XSEC2.dwg, 3/25/2009 10:02:32 AM