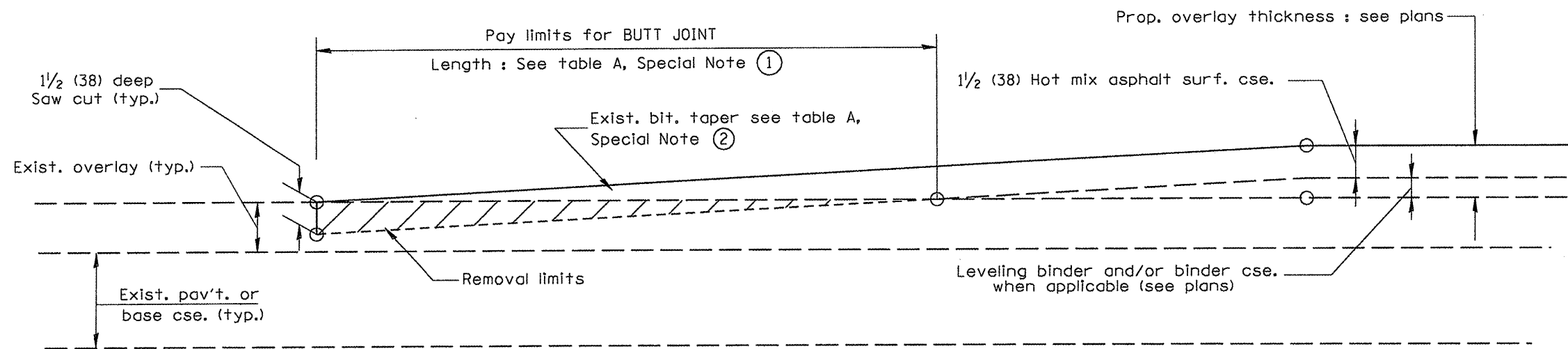
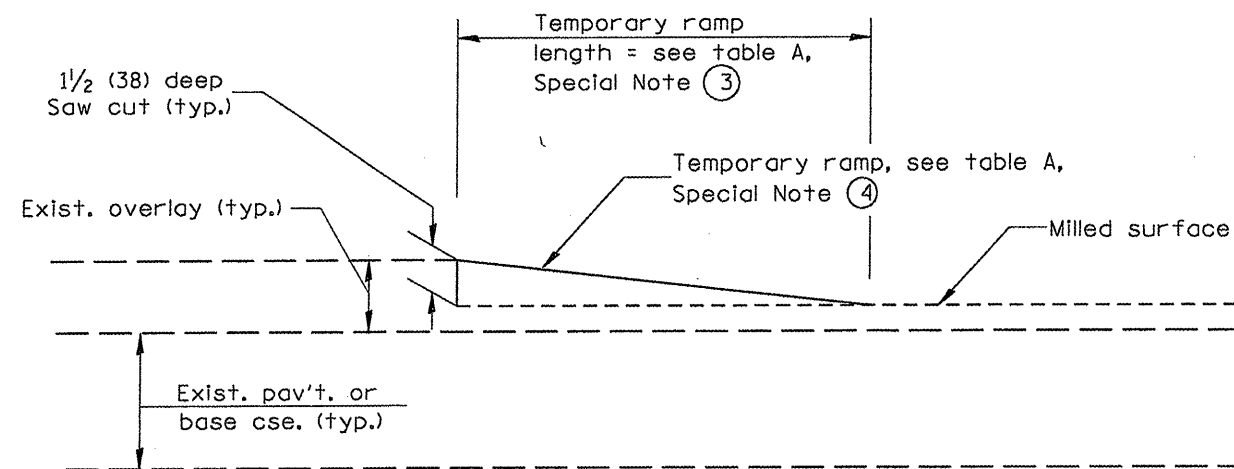


**CASE 3 : WITH HOT MIX ASPHALT SURFACE REMOVAL (COLD MILLING)
TIE-IN TO EXISTING BITUMINOUS TAPER**



**CASE 4 : NO HOT MIX ASPHALT SURFACE REMOVAL (COLD MILLING)
TIE-IN TO EXISTING BITUMINOUS TAPER**



DETAIL TEMPORARY RAMP

All dimensions are in inches (millimeters) unless otherwise noted.

--	--	--	--	--	--	--	--	--	--

**STATE OF ILLINOIS
DEPARTMENT OF TRANSPORTATION**

BUTT JOINTS

NOT TO SCALE

SHT. 2 OF 3
CADD STD. 406101-D4

F.A.U. RTE.	SECTION	COUNTY	TOTAL SHEETS	SHEET NO.
6711	09-00178-00-RS	TAZEWELL	11	7
CONTRACT NO. 89528				
FED. ROAD DIST. NO. 4 ILLINOIS FED. AID PROJECT				