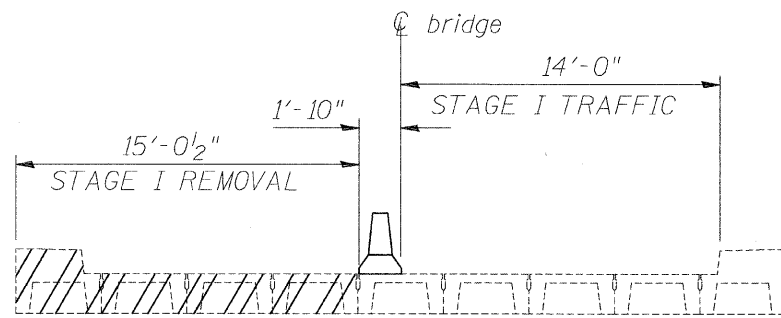


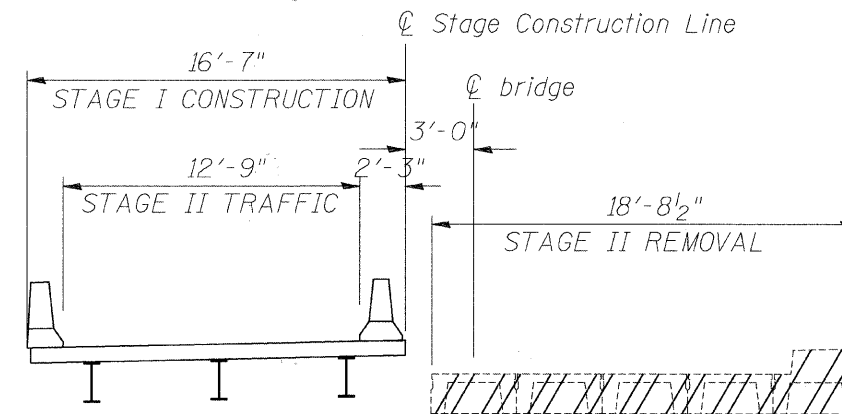
ROUTE NO. N. LINCOLN AVE.	SECTION 07-25932-00-BR	COUNTY CHAMPAIGN	TOTAL SHEETS 50	SHEET NO. 14
STA.		TO STA.		
F.H.W.A. REG.		ILLINOIS PROJECT		

PLAN	SURVEYED	DATE
	PLOTTED	
	ALIGNMENT CHECKED	
	RT. OF WAY CHECKED	
	NO.	

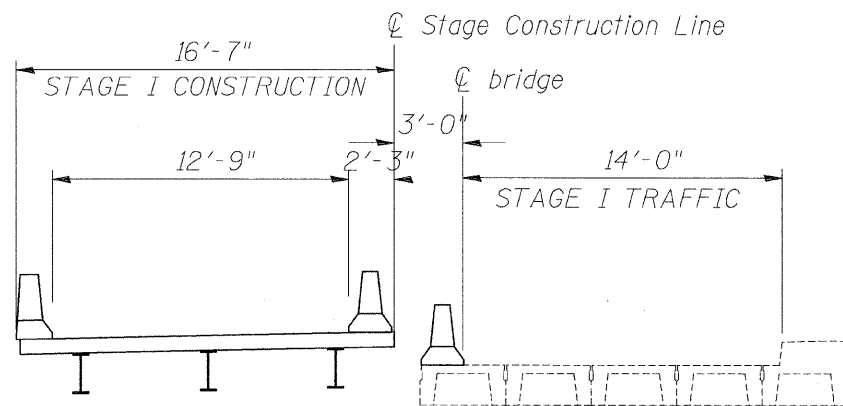
PROFILE	SURVEYED	DATE
	PLOTTED	
	GRADES CHECKED	
	BEAMS NOTED	
	STRUCTURE NOTATIONS CHKD	
	NO.	



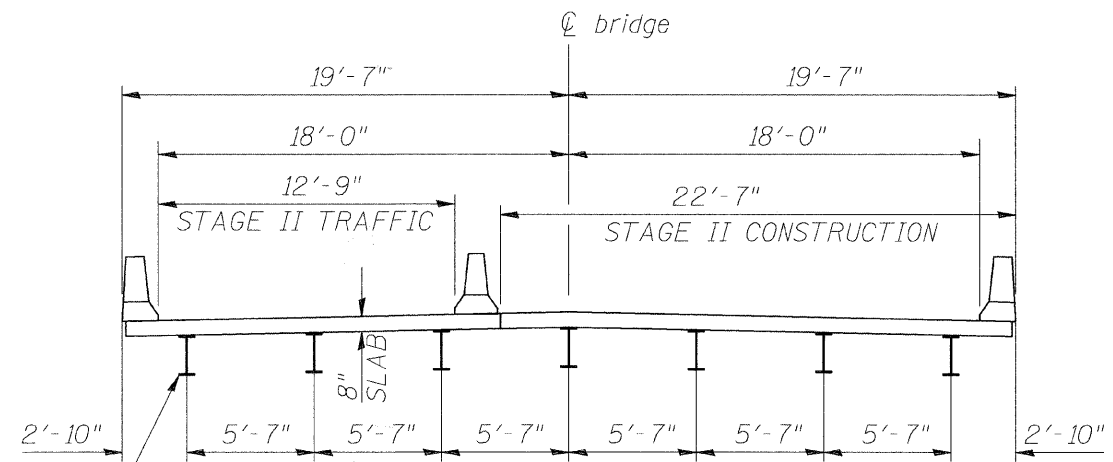
**STAGE I REMOVAL**  
(Looking North)



**STAGE II REMOVAL**  
(Looking North)



**STAGE I CONSTRUCTION**  
(Looking North)



W21 STEEL BEAMS TYPICAL

**STAGE II CONSTRUCTION**  
(Looking North)

STAGE CONSTRUCTION DETAILS  
SECTION: 07-25932-00-BR  
CHAMPAIGN COUNTY  
CL STATION 10+00