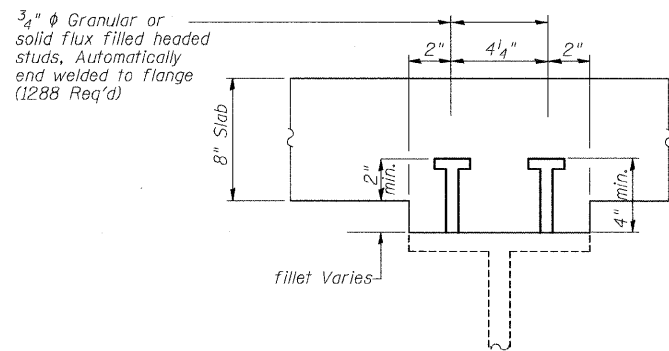
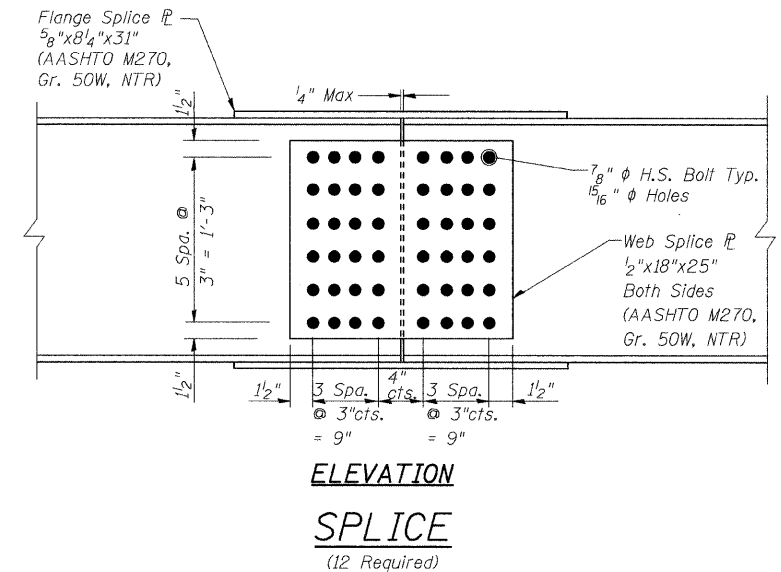
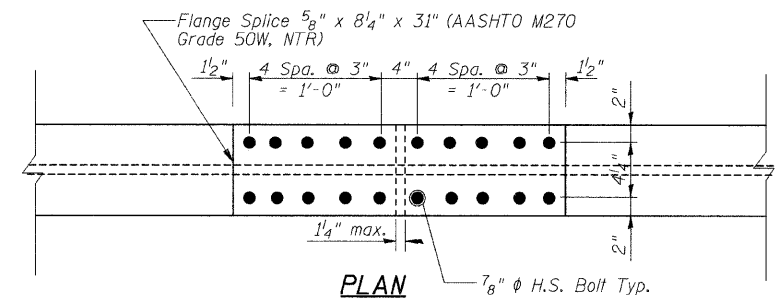
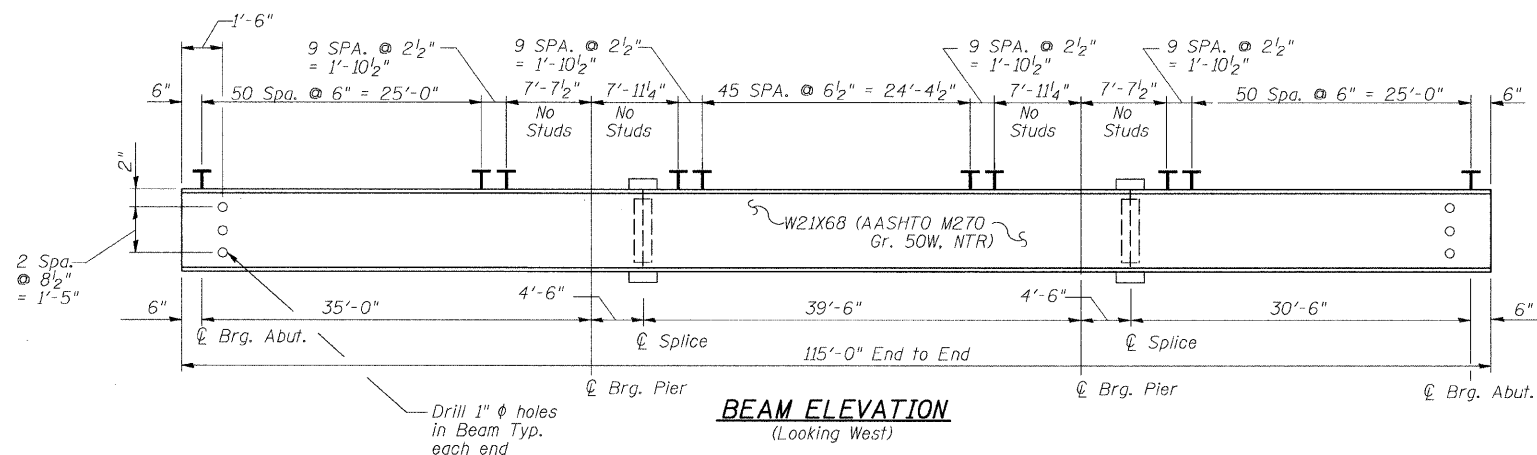
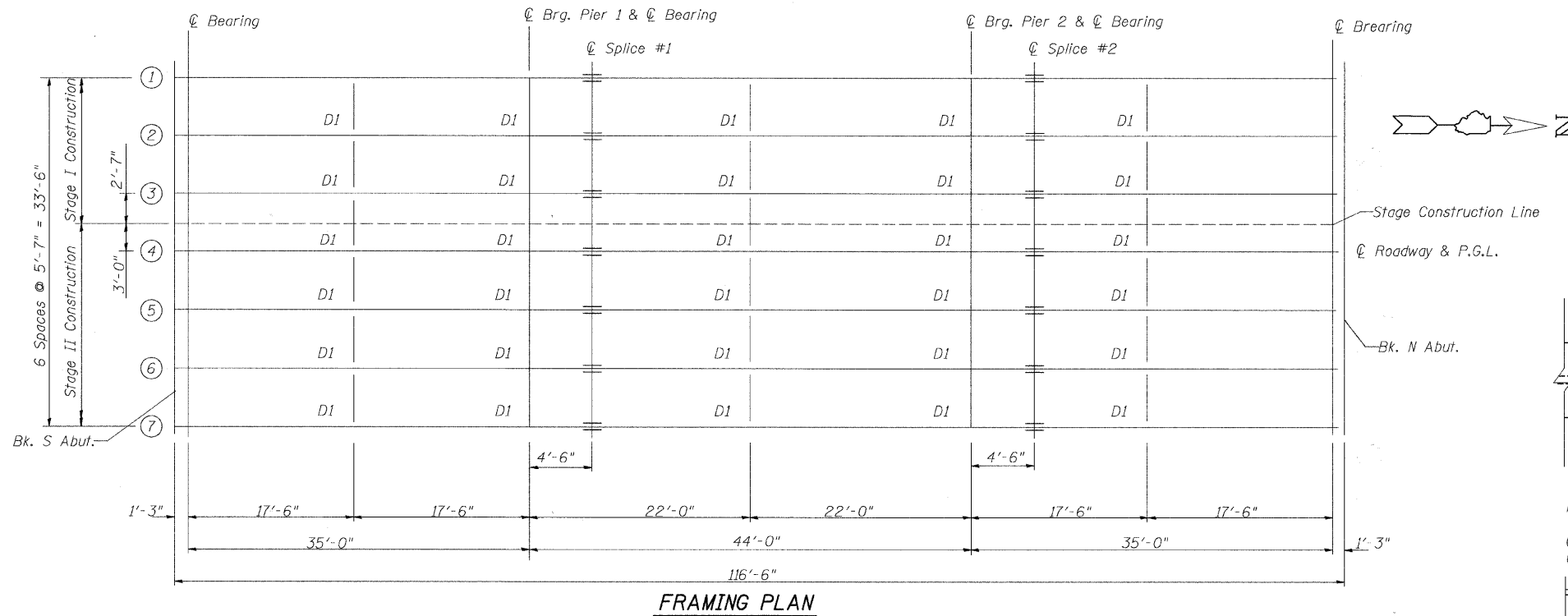


ROUTE NO.	SECTION	COUNTY	TOTAL SHEETS	SHEET NO.
N. LINCOLN AVE.	07-25932-00-BR	CHAMPAIGN	50	22
STA.	TO STA.			
F.H.W.A. REG.	ILLINOIS	PROJECT		



**TOP OF BEAM ELEVATIONS \***

Location	Beam 1	Beam 2	Beam 3	Beam 4	Beam 5	Beam 6	Beam 7
℄ Brg. South Abut.	720.59	720.70	720.79	720.88	720.79	720.70	720.59
℄ Brg. Pier 1	720.03	720.15	720.23	720.32	720.23	720.15	720.03
℄ Splice 1	719.96	720.08	720.16	720.25	720.16	720.08	719.96
℄ Brg. Pier 2	719.33	719.44	719.53	719.62	719.53	719.44	719.33
℄ Splice 2	719.26	719.37	719.46	719.55	719.46	719.37	719.26
℄ Brg. North Abut	718.77	718.88	718.97	719.06	718.97	718.88	718.77

\*For Fabrication Only

Notes:

- All structural steel shall conform to the requirements of AASHTO M270, Grade 50W.
- Load carrying components designated "NTR" shall conform to the Supplemental Requirements for Notch Toughness, Zone 2.

FRAMING PLAN & BEAM DETAILS  
SECTION: 07-25932-00-BR  
CHAMPAIGN COUNTY  
℄ STATION 10+00