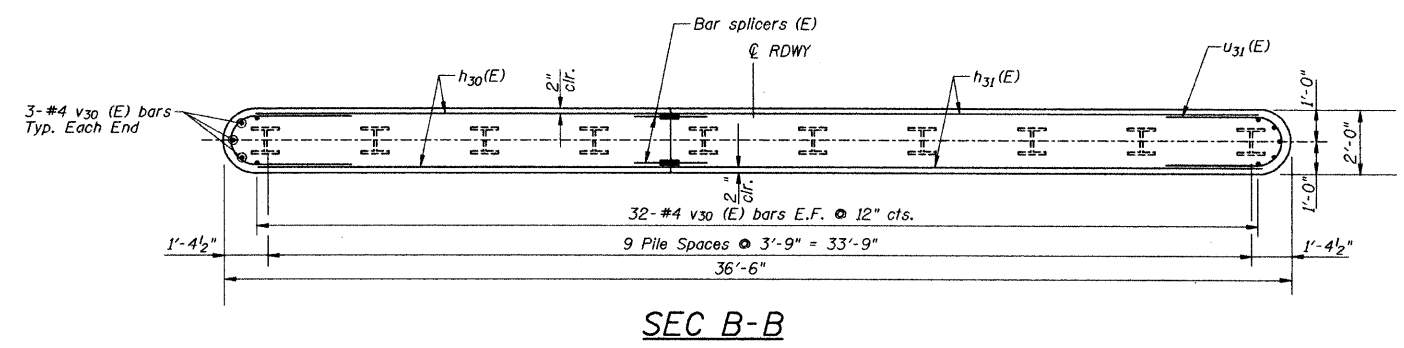
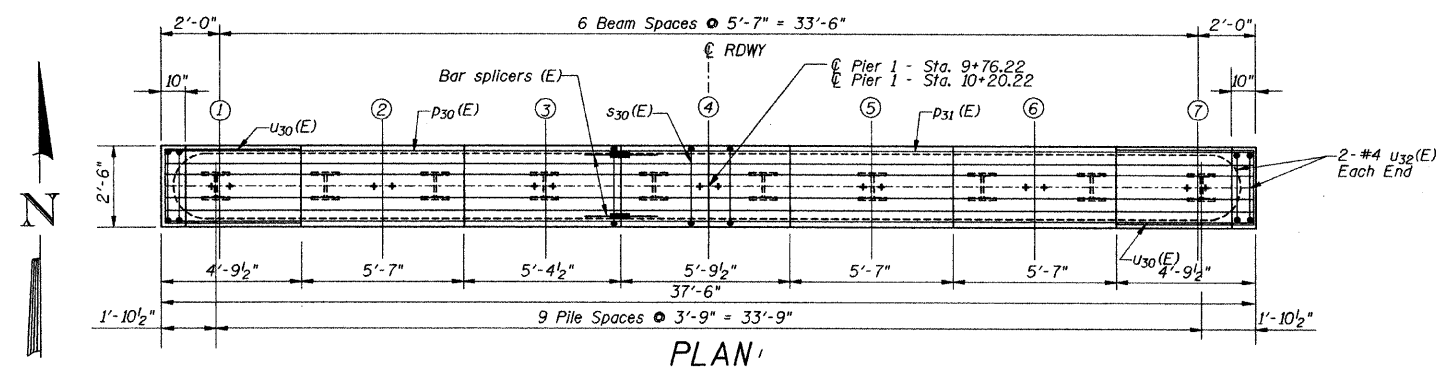
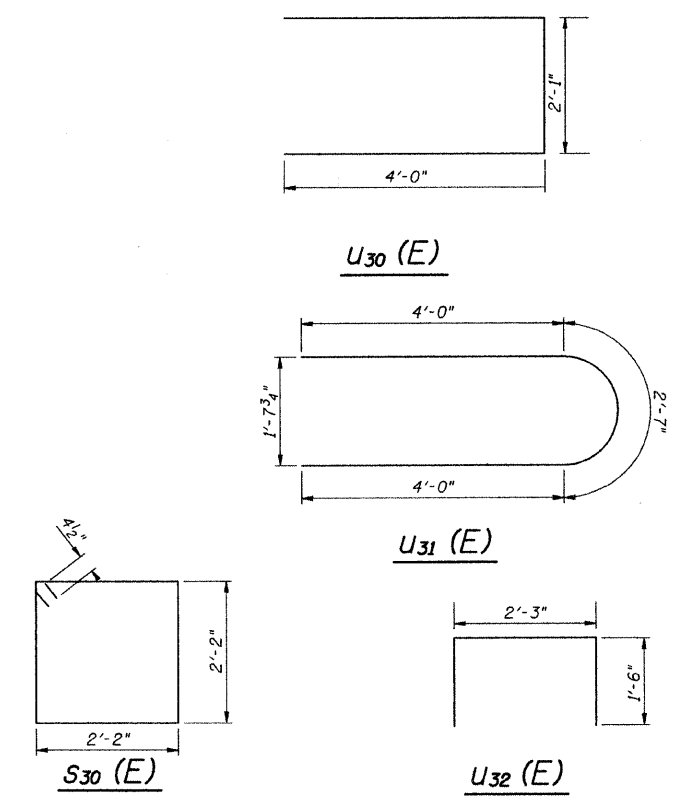
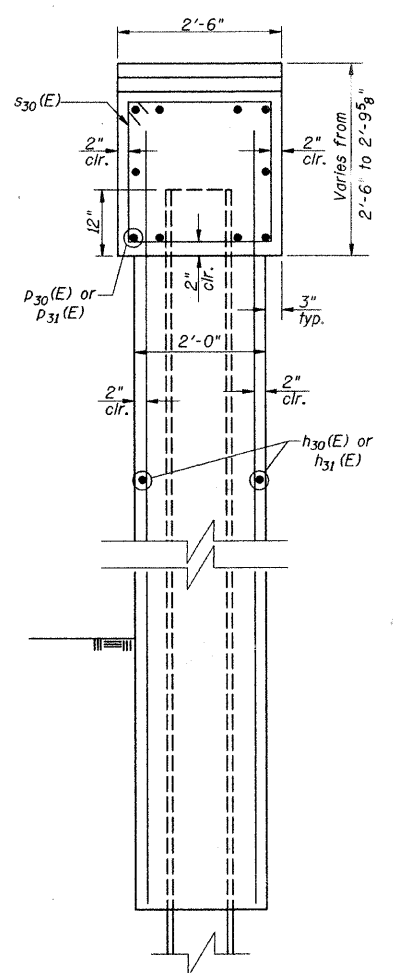
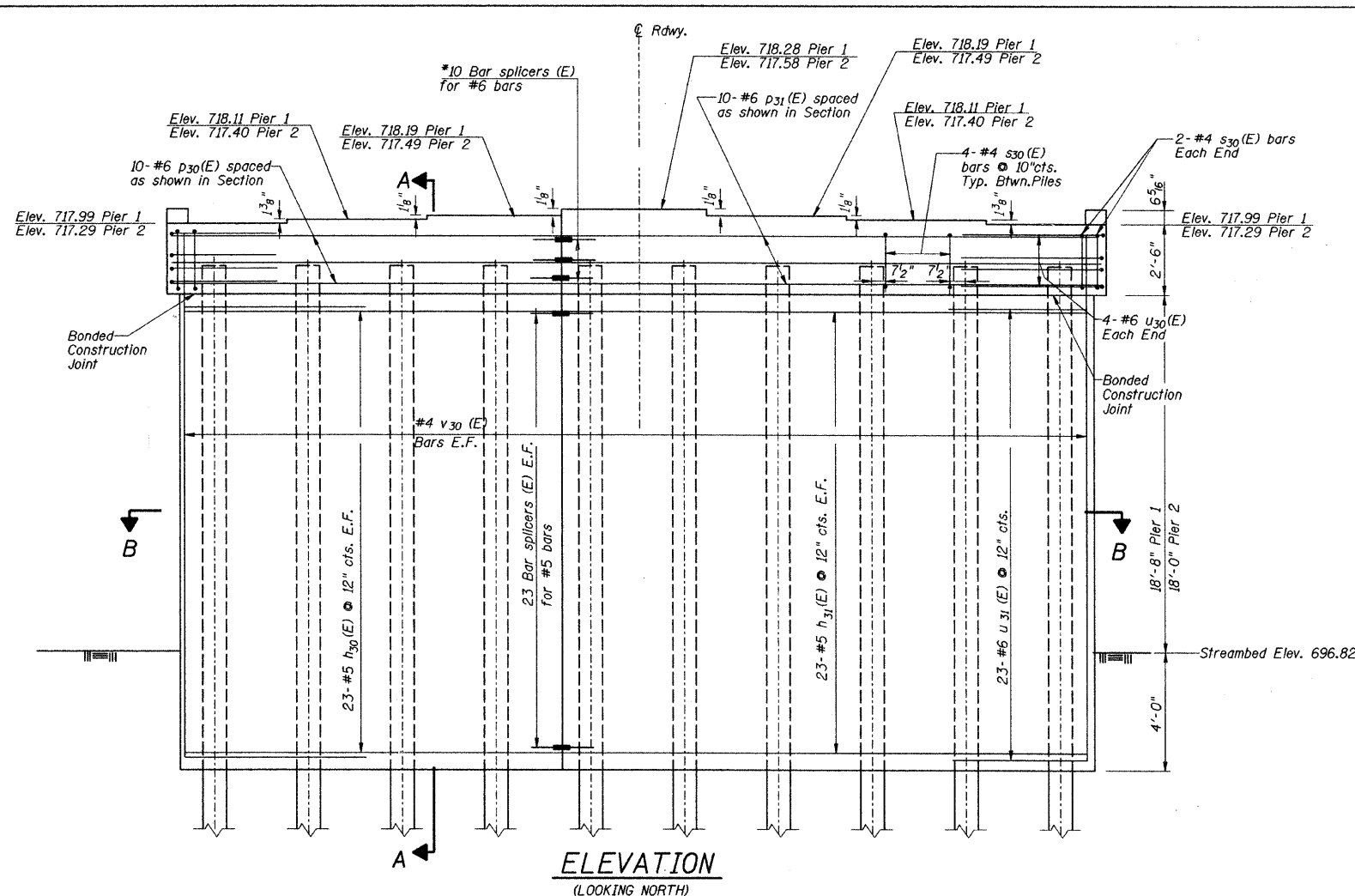
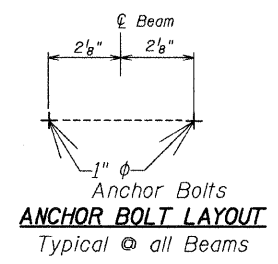


ROUTE NO.	SECTION	COUNTY	TOTAL SHEETS	SHEET NO.
N. LINCOLN AVE.	07-25932-00-BR	CHAMPAIGN	50	27
STA.	TO STA.			
F.H.W.A. REG.	ILLINOIS	PROJECT		



Note: All edges shall have a standard 3/4\"/>



PILE DATA
 Type : Steel HP10X42
 Nominal Req'd Bearing : 237 kips
 Allowable Resistance Available : 79 kips
 Est. Length : 67'
 No. Required : 18
 Test Pile: 2, 1 @ Pier 1, 1 @ Pier 2

BILL OF MATERIAL (2 PIERS)

Bar	No.	Size	Length	Shape
h30(E)	92	#5	15'-0"	—
h31(E)	92	#5	21'-0"	—
p30(E)	20	#6	15'-6"	—
p31(E)	20	#6	21'-6"	—
s30(E)	80	#4	9'-5"	⊏
U30(E)	16	#6	10'-1"	⊏
U31(E)	92	#6	10'-7"	⊏
U32(E)	8	#4	5'-3"	⊏
v30(E)	140	#4	24'-0"	—
Concrete Structures			Cu. Yd.	137.8
Reinforcement Bars Epoxy Coated			Pound	9050
Furnishing Steel Piles HP 10x42			Foot	1206
Driving Piles			Foot	1206
Pile Shoes			Each	20
Structure Excavation			Cu. Yd.	90
Test Pile HP10x42			Each	2

PIER DETAILS
 SECTION: 07-25932-00-BR
 CHAMPAIGN COUNTY
 @ STATION 10+00