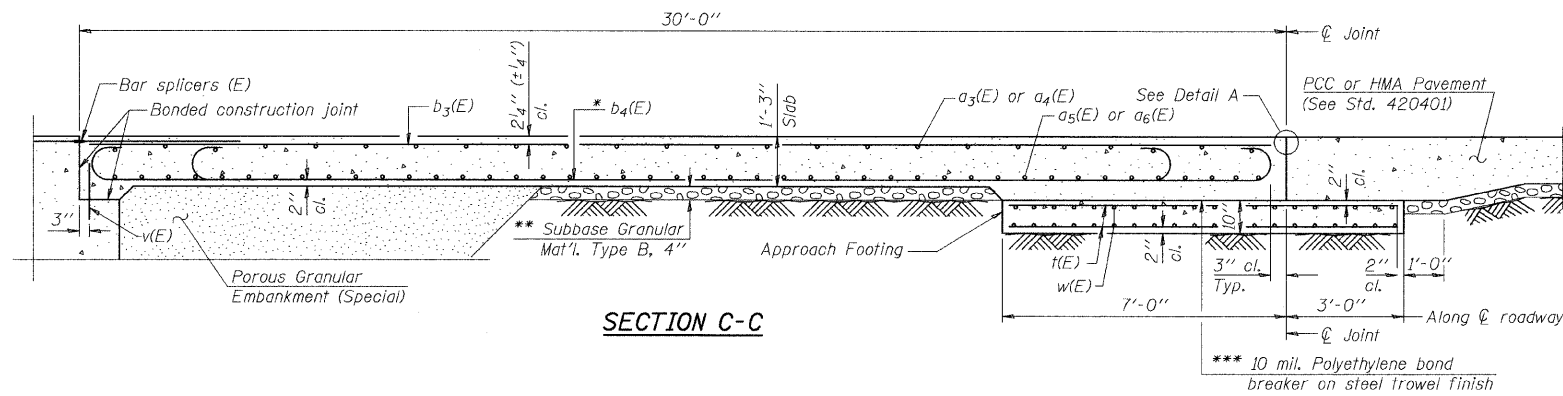
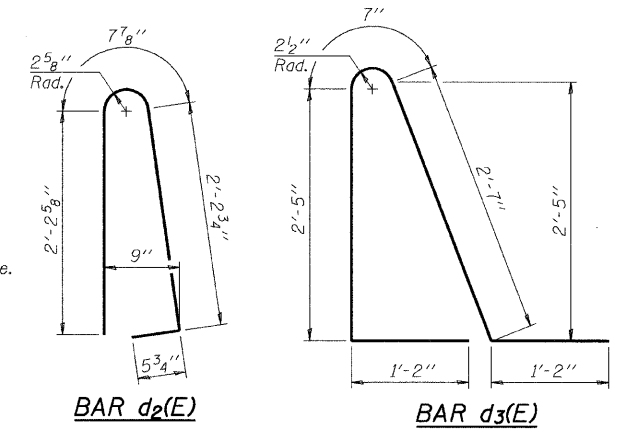
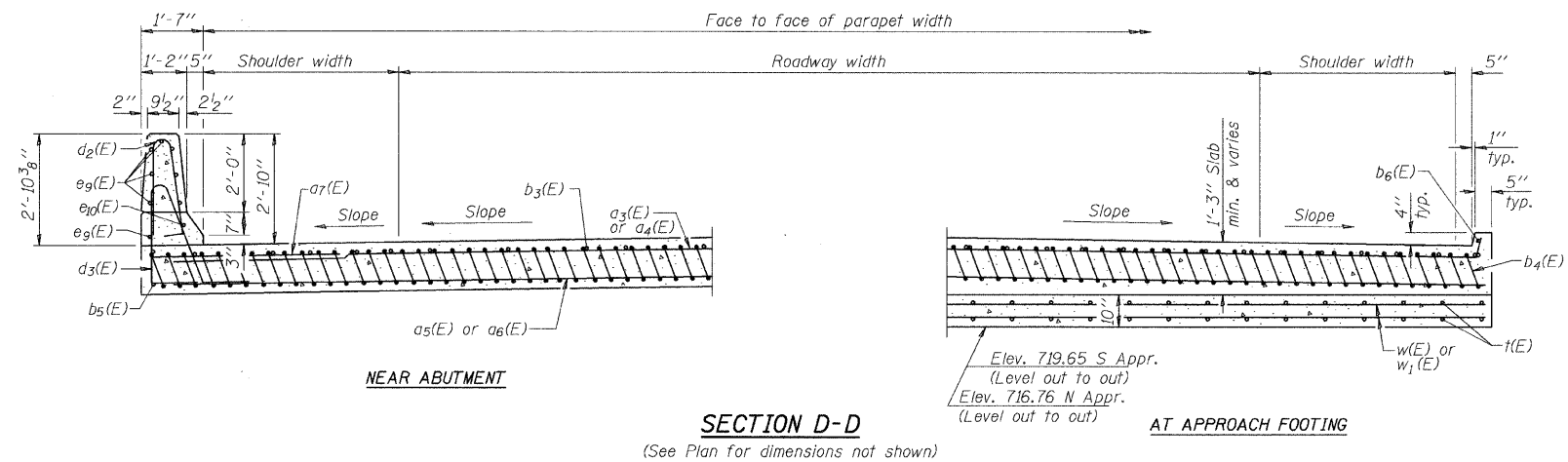


ROUTE NO.	SECTION	COUNTY	TOTAL SHEETS	SHEET NO.
N. LINCOLN AVE.	07-25932-00-BR	CHAMPAIGN	50	29
STA.	TO STA.			
F.H.W.A. REG.	ILLINOIS	PROJECT		



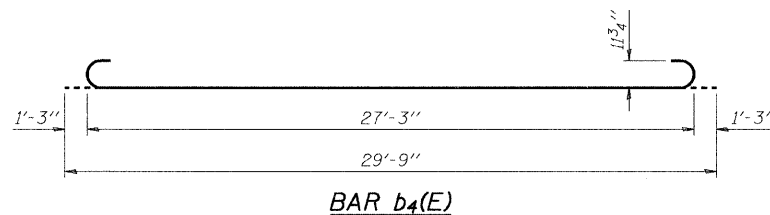
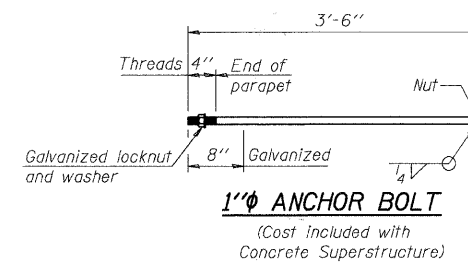
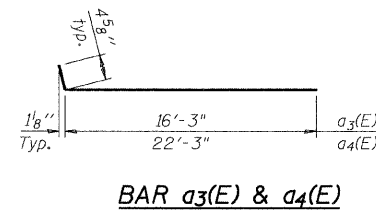
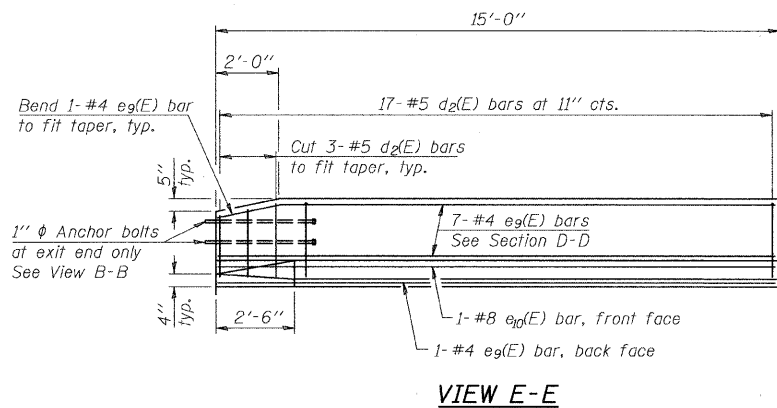
Notes:  
 See sheet 11 of 23 for Detail A and View B-B.  
 Approach slab and parapet concrete shall be paid for as Concrete Superstructure.  
 Approach footing concrete shall be paid for as Concrete Structures.  
 Reinforcement shall be paid for as Reinforcement Bars, Epoxy Coated.  
 For v(E) bar details, see sheet 10 of 23.  
 The approach footing maximum applied service bearing pressure ( $Q_{max}$ ) = 2.0 ksf.  
 For bar splicer details, see sheet 21 of 23.  
 Cost of excavation for approach footing included with Concrete Structures.  
 For Porous Granular Embankment (Special) and drainage treatment details, see sheet 2 of 23.



\* Tilt #9 b4(E) bars as required to maintain clearance.  
 \*\*\* Cost included with Concrete Superstructure.

**TWO APPROACHES  
 BILL OF MATERIAL**

Bar	No.	Size	Length	Shape
a3(E)	50	#4	16'-8"	—
a4(E)	50	#4	22'-8"	—
a5(E)	92	#5	16'-3"	—
a6(E)	92	#5	19'-3"	—
a7(E)	48	#6	6'-0"	—
b3(E)	62	#4	29'-8"	—
b4(E)	184	#9	29'-9"	—
b5(E)	4	#4	14'-8"	—
b6(E)	4	#4	14'-8"	—
d2(E)	68	#5	5'-7"	—
d3(E)	68	#5	7'-11"	—
e9(E)	32	#4	14'-8"	—
e10(E)	4	#8	14'-8"	—
t(E)	38	#4	9'-8"	—
w(E)	80	#5	15'-7"	—
w1(E)	80	#5	21'-7"	—
Concrete Superstructure		Cu. Yd.	120.2	
Concrete Structures		Cu. Yd.	23.4	
Reinforcement Bars, Epoxy Coated		Pound	30,300	



(Sheet 2 of 2)  
**BRIDGE APPROACH SLAB DETAILS  
 STRUCTURE NO. 010-4541**

BRIDGE APPROACH SLAB DETAILS  
 SECTION: 07-25932-00-BR  
 CHAMPAIGN COUNTY  
 Q. STATION 10+00