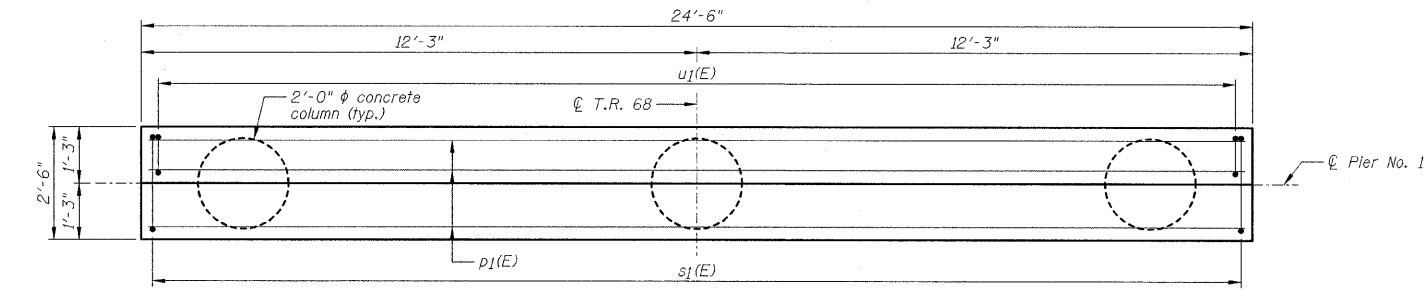
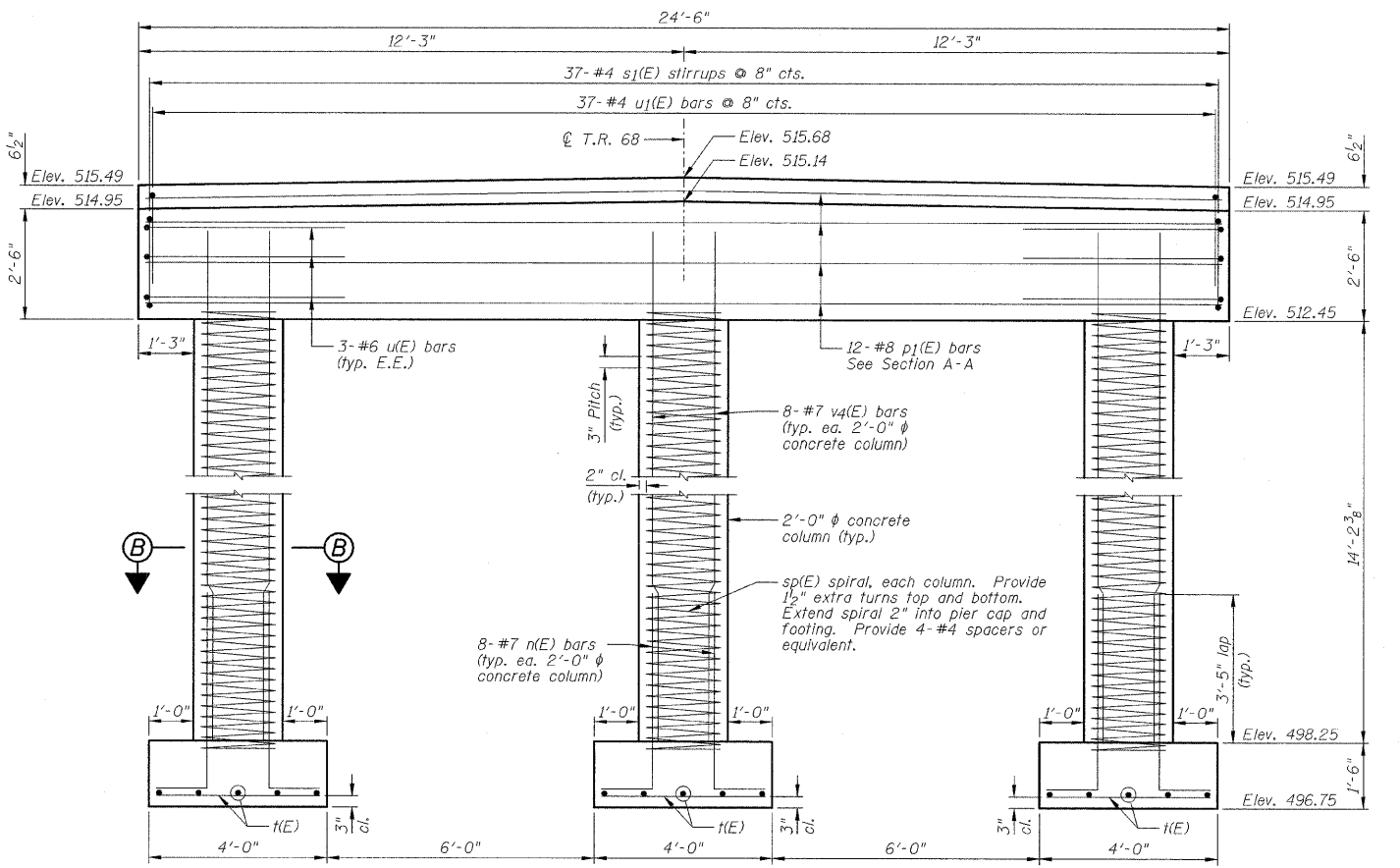


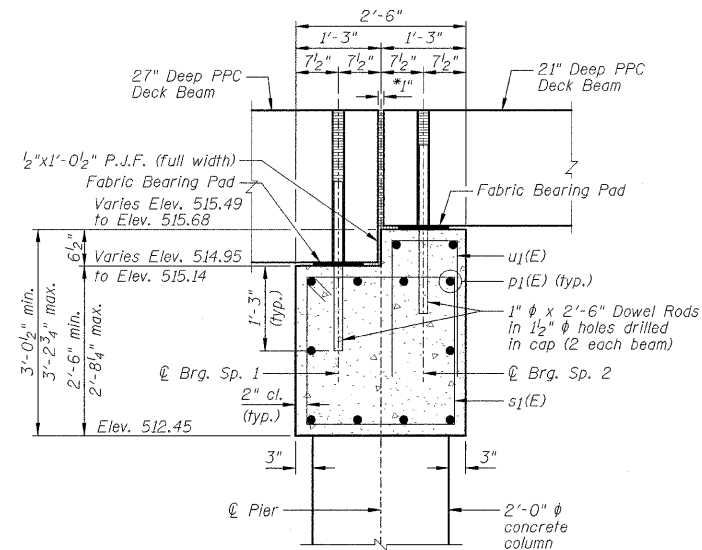
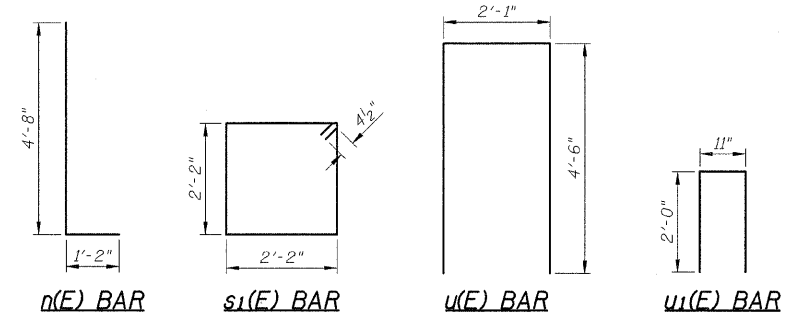
PLAN



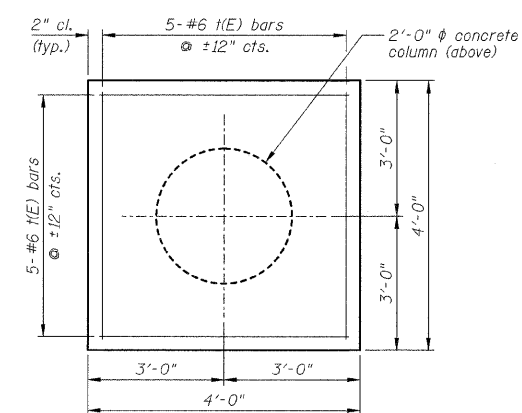
PLAN - PILE CAP



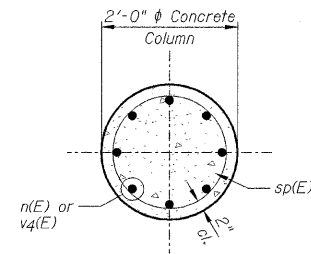
ELEVATION
(Looking South)



SECTION A-A



FOOTING PLAN



SECTION B-B

PIER NO. 1
BILL OF MATERIAL

Bar	No.	Size	Length	Shape
n(E)	24	#7	5'-10"	
p1(E)	12	#8	24'-2"	
s1(E)	37	#4	9'-5"	□
sp(E)	3	#4	314'-0"	∩∩∩
t(E)	30	#6	3'-8"	
u(E)	6	#6	11'-1"	□
u1(E)	37	#4	4'-11"	□
v4(E)	24	#7	16'-2"	
Item		Unit	Quantity	
Rock Excavation for Structures		Cu. Yd.	7	
Concrete Structures		Cu. Yd.	14.1	
Seal Coat Concrete		Cu. Yd.	2	
Reinforcement Bars, Epoxy Coated		Pound	3100	

**Length is height of spiral.

NOTE:
The quantity of Rock Excavation for Structures shown above is only for the Pier Footings and does not include the rock excavation quantity required for riprap placement.

- NOTES:
- 1.) E.E. denotes Each End.
 - 2.) Calculated maximum footing bearing pressure = 12.3 ksf (service).
 - 3.) If a portion of the pier footing is under water, reinforcement may be placed underwater into forms. Concrete shall be tremied according to Article 503.08 of the Standard Specifications.

DESIGNED - JML	REVISED -
DRAWN - DJM	REVISED -
CHECKED - MSW	REVISED -
DATE - 06/22/09	REVISED -

EFFINGHAM COUNTY DEPARTMENT OF HIGHWAYS

PIER NO. 1

T.R. 68 OVER FULFER CREEK
SECTION 05-07106-00-BR
EFFINGHAM COUNTY
STATION 9+96.25 STRUCTURE NO. 025-3318

T.R.	SECTION	COUNTY	TOTAL SHEETS	SHEET NO.
68	05-07106-00-BR	EFFINGHAM	25	19
CONTRACT NO. 95593				
FED. ROAD DIST. NO. 7 ILLINOIS FED. AID PROJECT				

FARNSWORTH GROUP, INC.

CONSULTING ENGINEERS - 2709 MCGRAW DRIVE BLOOMINGTON, ILLINOIS 61704 (309) 663-8435 / (309) 663-1571 FAX