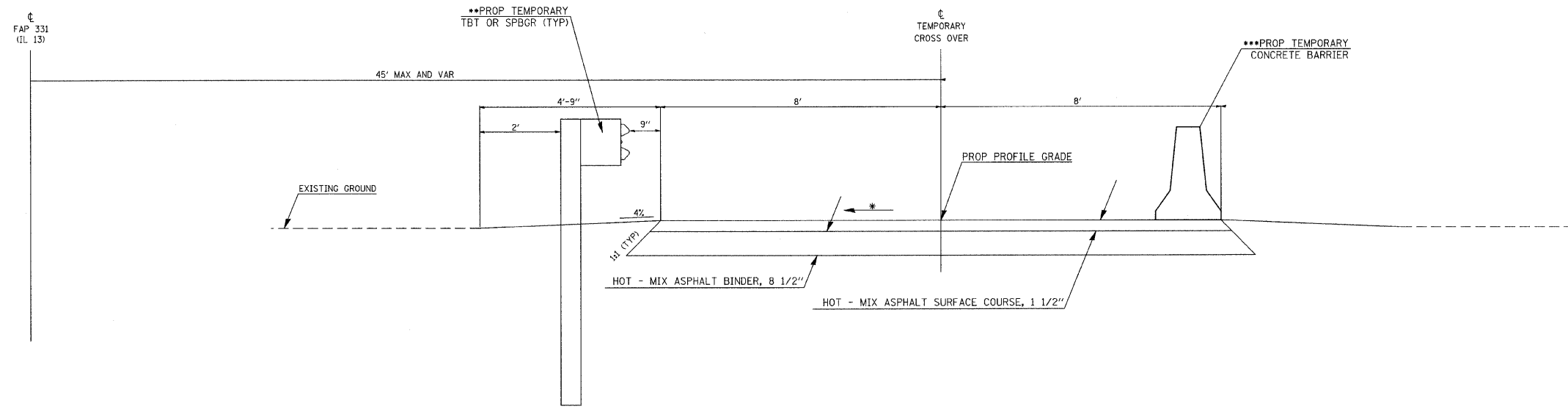


F.A.P. RTE.	SECTION	COUNTY	TOTAL SHEETS	SHEET NO.
331	*	JACKSON	67	10
STA.		TO STA.		
FED. ROAD DIST. NO.		ILLINOIS	FED. AID PROJECT	
*12-1B-1D9 BSMART FY 10-1				



**TYPICAL SECTION**

(TEMPORARY CROSS OVER)  
 TO BE USED : STA 235+00.0 TO STA 242+53.0  
 STA 244+26.0 TO STA 251+00.0  
 WESTBOUND BRIDGE OMISSION: STA 242+53.0 TO STA 244+26.0

STRUCTURAL DESIGN TRAFFIC: 2020  
 PV = 11550 SU = 450 MU = 300  
 ROAD/STREET CLASSIFICATION: Class I ROAD  
 PERCENT OF STRUCTURAL DESIGN TRAFFIC IN DESIGN LANE:  
 P = 94% S = 4% M = 2%  
 TRAFFIC FACTOR: Actual TF = 0.52515  
 Minimum TF = 0.42975

\*SEE SHEET CROSS SECTIONS FOR PAVEMENT CROSS SLOPES  
 \*\*APPLIES TO WEST SIDE OF STRUCTURE ONLY  
 \*\*\*APPLIES STA. 236+25.00 TO 245+00.00 ONLY

PLOT DATE = 3/18/2009  
 FILE NAME = c:\pwworking\111001\111001\SHEPARDD\111001\111001.dwg  
 USER NAME = shepardsg