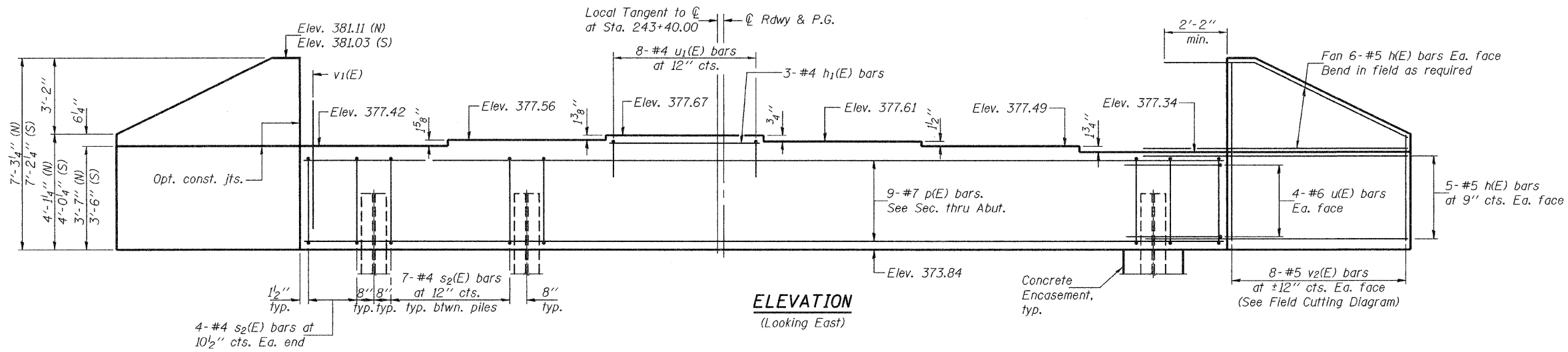
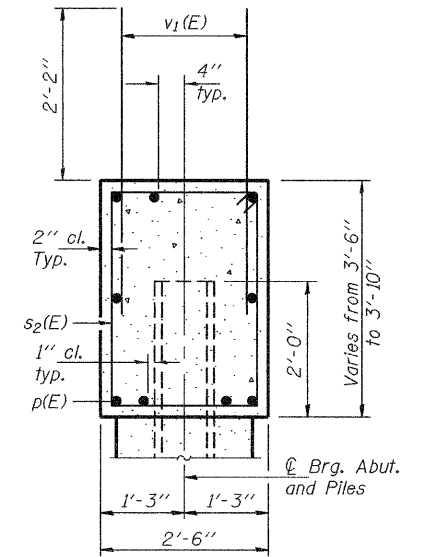


STATE OF ILLINOIS
DEPARTMENT OF TRANSPORTATION



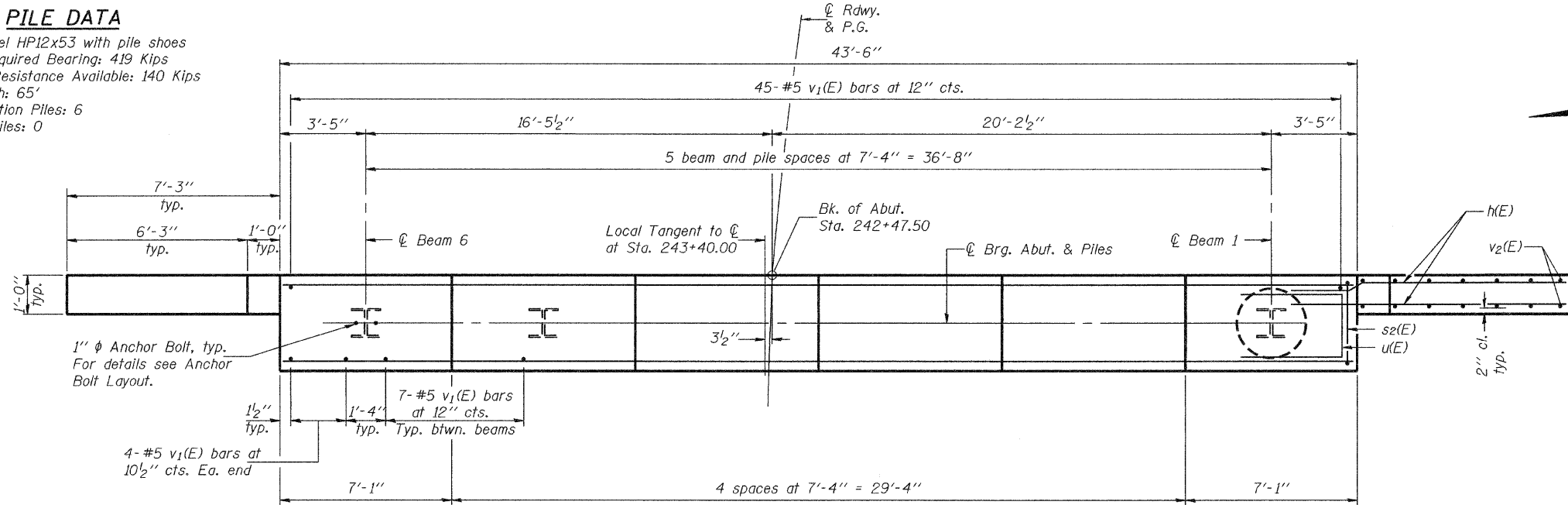
ELEVATION
(Looking East)



SEC. THRU ABUT.

PILE DATA

Type: Steel HP12x53 with pile shoes
Nominal Required Bearing: 419 Kips
Factored Resistance Available: 140 Kips
Est. Length: 65'
No. Production Piles: 6
No. Test Piles: 0

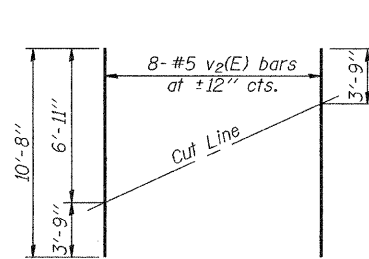


PLAN

**EAST ABUTMENT
BILL OF MATERIAL**

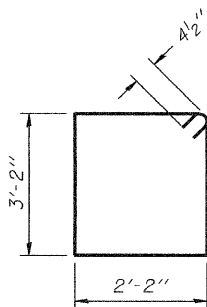
Bar	No.	Size	Length	Shape
h(E)	44	#5	10'-3"	—
h1(E)	3	#4	7'-0"	—
p(E)	9	#7	43'-3"	—
s2(E)	43	#4	11'-5"	□
u(E)	8	#6	7'-3"	—
u1(E)	8	#4	4'-8"	□
v1(E)	88	#5	4'-6"	—
v2(E)	16	#5	10'-8"	—
Concrete Structures			Cu. Yd.	18.0
Reinforcement Bars, Epoxy Coated			Pound	2310
Structure Excavation			Cu. Yd.	27.7
Furnishing Steel				
Piles HP12x53			Foot	390
Driving Piles			Foot	390
Pile Shoes			Each	6
Concrete Encasement			Cu. Yd.	2.1

Notes: Pour steps monolithically with cap.
Bars indicated thus 9 x 2-#7 etc. indicates 9 lines of bars with 2 lengths per line.

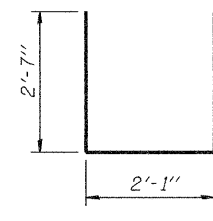


FIELD CUTTING DIAGRAM

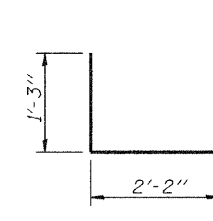
Order v2(E) full length. Cut as shown and use remainder of bars in opposite face.



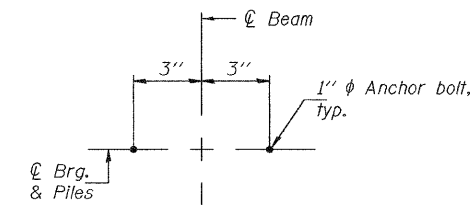
BAR s2(E)



BAR u(E)



BAR u1(E)



ANCHOR BOLT LAYOUT

DESIGNED	Rebecca Mitchell
CHECKED	Mark. D. Shaffer
DRAWN	AMC htd Amber Seiber
CHECKED	RLM/MDS

EXAMINED	Thomas J. Domagalaki ENGINEER OF BRIDGE DESIGN
PASSED	Ralph E. Anderson ENGINEER OF BRIDGES AND STRUCTURES

July 27, 2009

**EAST ABUTMENT
STRUCTURE NO. 039-0070 (E.B.)**

SHEET NO. 15 22 SHEETS	F.A.P. RTE.	SECTION	COUNTY	TOTAL SHEETS	SHEET NO.
	331	(12-BY-1)-1	JACKSON	67	36
FED. ROAD DIST. NO. - ILLINOIS			FED. AID PROJECT		
			CONTRACT NO. 98641		