

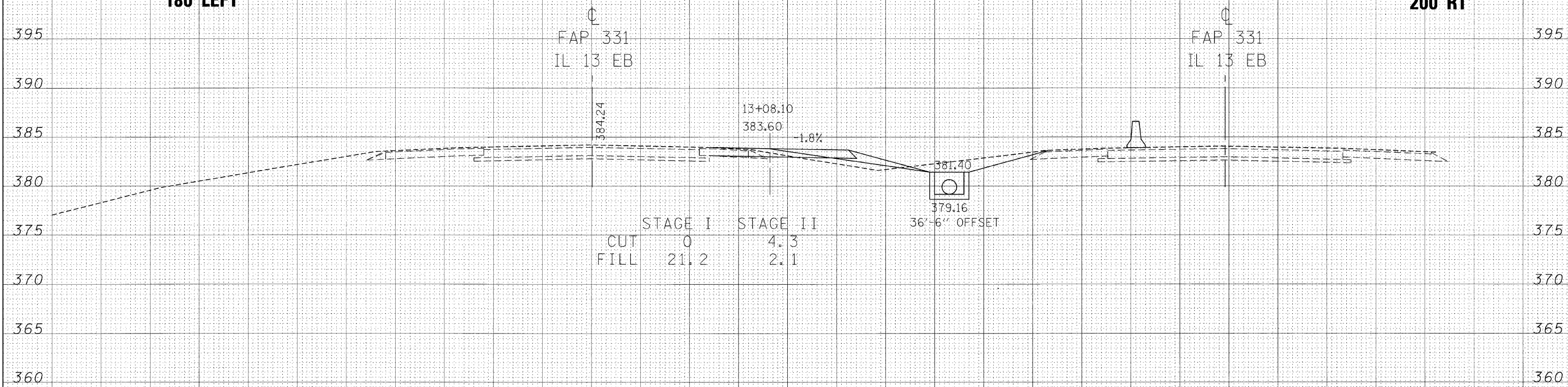
55 50 45 40 35 30 25 20 15 10 5 0 5 10 15 20 25 30 35 40 45 50 55 60 65 70 75 80 85 90 95

FINAL SURVEY BY DATE  
 NOTE BOOK NO. SURVEYED TO DATE  
 TEMPLATE AREAS CHECKED

ORIGINAL SURVEY BY DATE  
 NOTE BOOK NO. SURVEYED TO DATE  
 TEMPLATE AREAS CHECKED

**EXISTING ROW  
180' LEFT**

**EXISTING ROW  
200' RT**



**249 + 00.00**

55 50 45 40 35 30 25 20 15 10 5 0 5 10 15 20 25 30 35 40 45 50 55 60 65 70 75 80 85 90 95

FILE NAME = c:\pwork\PWIDOT\SHEPARDGD\dms43646\xsmudsh.dgn

USER NAME = shepardgd  
 PLOT SCALE = 4.7222' / IN.  
 PLOT DATE = 3/18/2009

DESIGNED -  
 DRAWN -  
 CHECKED -  
 DATE -

REVISED -  
 REVISED -  
 REVISED -  
 REVISED -

**STATE OF ILLINOIS  
DEPARTMENT OF TRANSPORTATION**

**CROSS SECTIONS**

SCALE: SHEET NO. OF SHEETS STA. 249+00.00 TO STA. 249+00.00

F.A.P. RTE.	SECTION	COUNTY	TOTAL SHEETS	SHEET NO.
331	(12-1)B-1;D9BSMART FY10-1	JACKSON	67	65
ILLINOIS FED. AID PROJECT			CONTRACT NO. 98641	