

**JOINT NOTES**

**PA049**

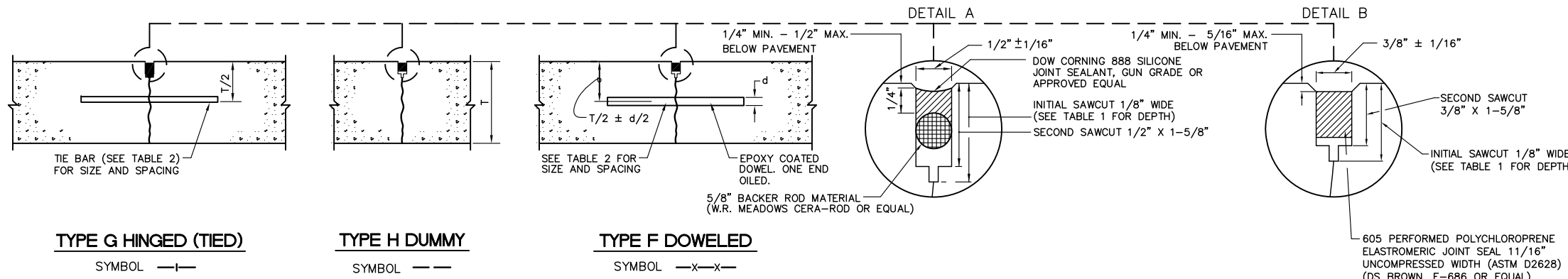
K:\ChicagoExecAp\0829008 Tty E\Draw\Sheets\Apron-re  
FILE: apron-joint-dtl.dwg  
LAYOUT: Layout1  
UPDATE BY: johse  
SURVEY BOOK #  
DATE: Wed 7/22/09 10:25am  
XREF DWG: tb.dwg  
tbcint.dwg  
tbcint\_apron-revised.dwg

- ALL EDGES OF NEW SLABS, FREE STANDING OR CLOSURE, SHALL BE EDGED WITH AN APPROVED TOOL HAVING A RADIUS OF 1/8" TO 1/4" TO FACILITATE SAWING OF THE SEALANT RESERVOIR. A RADIUS > 1/4" WILL NOT BE ACCEPTABLE.
- THE INITIAL SAWCUT FOR ALL LONGITUDINAL AND TRANSVERSE CONTRACTION JOINTS SHALL BE SAWS AS SOON AS POSSIBLE AFTER PLACEMENT OF THE PAVEMENT. SAWING OF LONGITUDINAL CONTRACTION JOINTS ADJACENT TO THE THICKENED EDGES SHALL BE GIVEN PRIORITY OVER OTHER LONGITUDINAL JOINT SAWING.
- ALL DOWEL BARS SHALL BE SECURELY HELD IN PLACE BY MEANS OF A DOWEL BAR ASSEMBLY OR MECHANICALLY INSTALL PER ARTICLE 420.05 JOINTS OF THE ILLINOIS DEPARTMENT OF TRANSPORTATION "STANDARD SPECIFICATIONS FOR ROAD AND BRIDGE CONSTRUCTION", WHICH WILL INSURE THAT THEY WILL REMAIN PARALLEL TO THE PAVEMENT LANES. THE DOWEL BAR ASSEMBLIES OR MECHANICAL METHOD SHALL BE APPROVED BY THE ENGINEER PRIOR TO INSTALLATION.
- ALL TIE BARS AND MESH SHALL BE SECURELY HELD IN PLACE BY SUPPORT PINS OR PLACED BY OTHER APPROVED METHODS TO PREVENT SHIFTING DURING AND AFTER CONCRETE PLACEMENT.
- TIE BARS SHALL BE DEFORMED BARS IN CONFORMANCE WITH ASTM A615 OR ASTM A616, EXCEPT THAT RAIL STEEL BARS, GRADE 50 OR 60 SHALL NOT BE USED FOR THE BARS THAT ARE TO BE BENT OR RESTRAIGHTEN DURING CONSTRUCTION. TIE BARS DESIGNATED AS GRADE 40 IN ASTM A615 CAN BE USED FOR CONSTRUCTION REGARDING BENT BARS.
- THE INITIAL SAWCUT SHALL BE MADE TO THE 1/8" WIDTH INDICATED. INITIAL SAWING TO THE DIMENSION OF THE SECOND SAWCUT WILL NOT BE ALLOWED.
- JOINTS SHALL BE DRY AND CLEAN BEFORE SEALING OPERATIONS BEGIN.
- COST OF ALL JOINT SAWING, CLEANING AND SEALING OF NEW CONCRETE PAVEMENT SHALL BE CONSIDERED INCIDENTAL TO THE ASSOCIATED PAY ITEM AND NO SEPARATE PAYMENT SHALL BE MADE.
- SHOULD THE POURING OPERATIONS REQUIRE THE INSERTION OF AN INTERMEDIATE HEADER, A DOWEL BASKET ASSEMBLY OR OTHER APPROVED METHOD OF DOWEL BAR PLACEMENT SHALL BE REQUIRED.
- DOWEL BASKET ASSEMBLIES MEETING IDOT APPROVAL MAY BE PROPOSED BY THE CONTRACTOR TO BE APPROVED BY THE ENGINEER. DOWELS IN THE APPROVED BASKET ASSEMBLIES SHALL CONFORM TO TABLE 2.
- CONTRACTOR SHALL CONSTRUCT A 1/4" CHAMFER ON ALL CONCRETE JOINTS PER THE DETAIL ON THIS SHEET, AT NO ADDITIONAL COST.

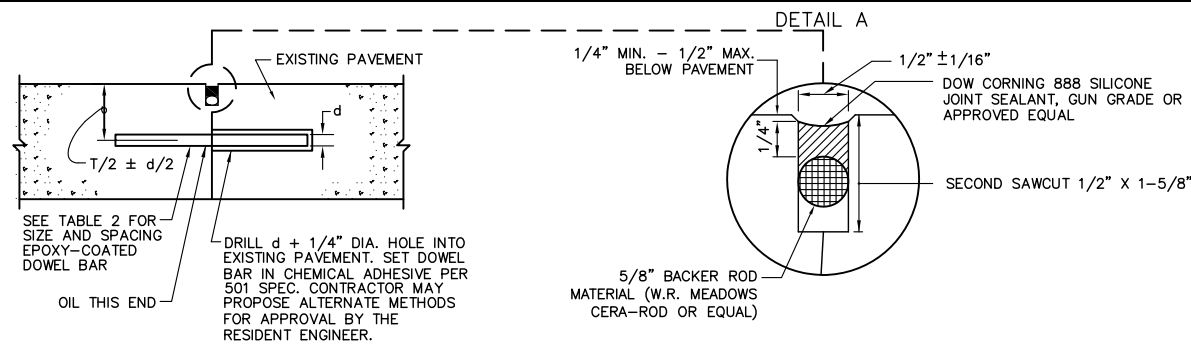
**REVISIONS**

NUMBER	BY	DATE

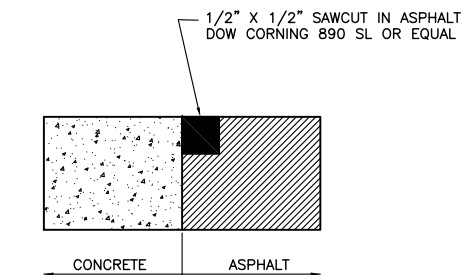
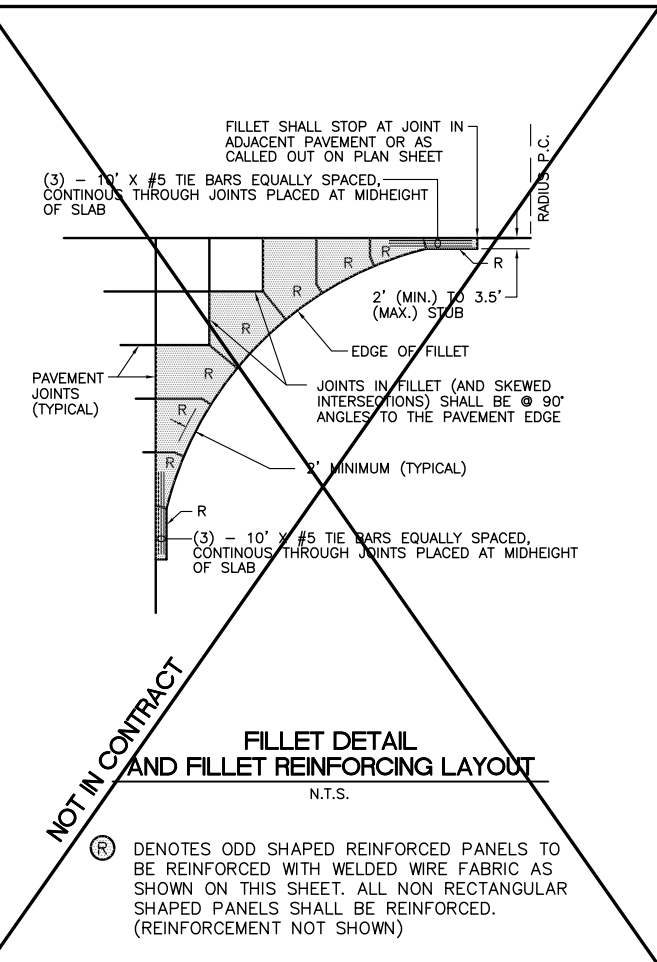
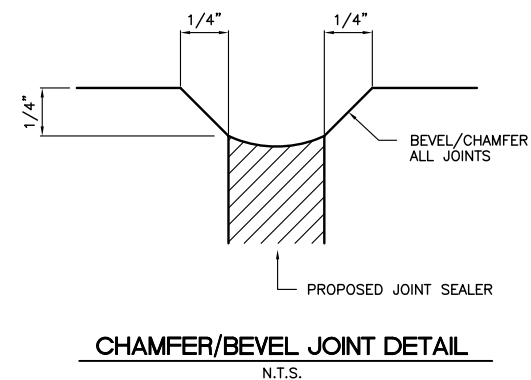
0 1 2  
THIS BAR IS EQUAL TO 2" AT FULL SCALE (34X22).



**CONTRACTION JOINTS**



**CONSTRUCTION JOINTS**



**JOINT SEALING AT CONCRETE ASPHALT INTERFACE**

NOTE: JOINT DIMENSIONS SHALL MEET MANUFACTURER'S RECOMMENDATION

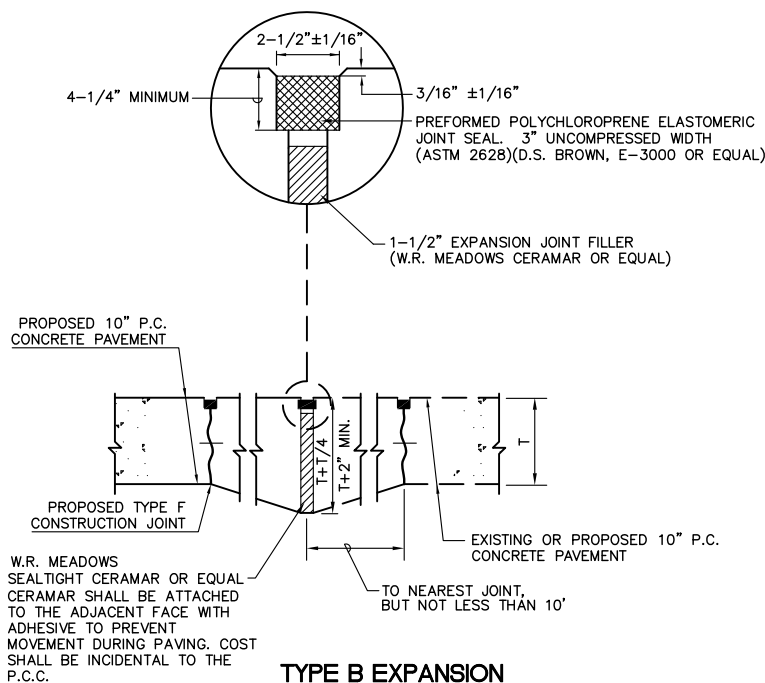
**TABLE 1**

PAVEMENT THICKNESS T - INCHES	DEPTH OF CONTRACTION JOINT INITIAL SAW CUT T, INCHES T=(T/4) ±1/4"
10	2.5"

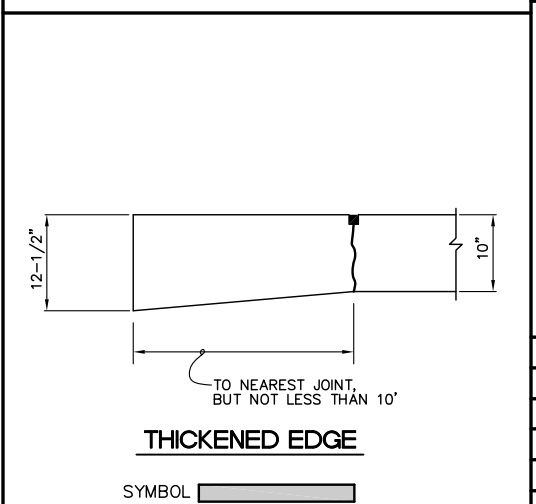
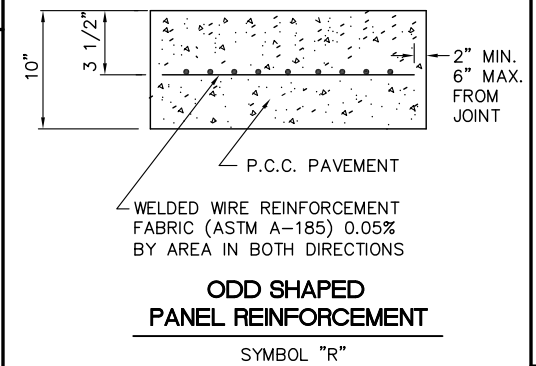
**TABLE 2**

PAVEMENT THICKNESS T - INCHES	DOWEL BAR DETAILS			TIE BAR DETAILS		
	DIA. (d)	LENGTH	SPACING	BAR SIZE	LENGTH	SPACING
10	1"	19"	12"	#5	30"	30"

**DIMENSION TABLES**



**EXPANSION JOINTS**



**CHICAGO EXECUTIVE AIRPORT  
WHEELING/PROSPECT HEIGHTS, ILLINOIS  
CONSTRUCT SOUTHEAST QUADRANT APRON**

**PAVEMENT JOINTING DETAILS**

© Copyright G.M.T. Inc.

**G.M.T.**  
CRAWFORD, MURPHY & TILLY, INC.  
CONSULTING ENGINEERS  
License No. 184-000613

**CHICAGO EXECUTIVE AIRPORT**

DESIGN BY: MLK  
DRAWN BY: JRO  
CHECKED BY:  
APPROVED BY:  
DATE: 07/24/09  
JOB No: 09290-04  
ILLINOIS PROJECT: PWK-3581  
A.I.P. PROJECT: 3-17-0018-B37  
SHEET 15 OF 35 SHEETS