

CODE NO.	ITEM	UNIT	TOTAL QUANTITY	CONSTRUCTION CODE				
				URBAN		TRAFFIC SIGNALS		EVP
				ROADWAY 0004	ROADWAY 0004	0021		0021
80% FED 20% STATE	100% VILLAGE	80% FED 10% STATE 10% VILLAGE	100% VILLAGE	100% VILLAGE				
* 78000650	THERMOPLASTIC PAVEMENT MARKING - LINE 24"	FOOT	111	111				
* 78100100	RAISED REFLECTIVE PAVEMENT MARKER	EACH	133	133				
	78100200	TEMPORARY RAISED REFLECTIVE PAVEMENT MARKER	EACH	148	148			
* 78200005	GUARDRAIL REFLECTORS, TYPE A	EACH	6	6				
	78200011	BARRIER WALL REFLECTORS, TYPE C	EACH	146	146			
	78300200	RAISED REFLECTIVE PAVEMENT MARKER REMOVAL	EACH	302	302			
* 81028200	UNDERGROUND CONDUIT, GALVANIZED STEEL, 2" DIA.	FOOT	2965			2965		
* 81028220	UNDERGROUND CONDUIT, GALVANIZED STEEL, 3" DIA.	FOOT	172			172		
* 81028240	UNDERGROUND CONDUIT, GALVANIZED STEEL, 4" DIA.	FOOT	317			317		
* 81400100	HANDHOLE	EACH	13			13		
* 81400200	HEAVY-DUTY HANDHOLE	EACH	1			1		
* 81400300	DOUBLE HANDHOLE	EACH	2			2		
* 85000200	MAINTENANCE OF EXISTING TRAFFIC SIGNAL INSTALLATION	EACH	2			2	1	
* 86400100	TRANSCEIVER - FIBER OPTIC	EACH	1			1		

* SPECIALTY ITEMS

△ REV SHEET 8/31/2020

REV-SEP

MODEL: Default
FILE NAME: W:\357-029 MHS-BLA IDOT YR W0-7 IL 19ICADD Sheets\0160721-19r-summary of quantities.dgn

 BLA, Inc. ITASCA, ILLINOIS	USER NAME = WTeng	DESIGNED - WINSON TENG	REVISED -	STATE OF ILLINOIS DEPARTMENT OF TRANSPORTATION	IL RTE 19 AT JUDD AVENUE SUMMARY OF QUANTITIES	F.A.P. RTE. 345	SECTION 3058A-N(14)	COUNTY COOK	TOTAL SHEETS 106	SHEET NO. 13
	PLOT SCALE = 100.0000' / in.	CHECKED - MATTHEW CESARIO	REVISED +			SCALE: N.T.S.	SHEET 10 OF 15 SHEETS	STA. N/A	TO STA. N/A	CONTRACT NO. 60Y21
	PLOT DATE = 6/20/2020	DATE - 06/05/2020	REVISED -			ILLINOIS FED. AID PROJECT				

CODE NO.	ITEM	UNIT	TOTAL QUANTITY	CONSTRUCTION CODE				
				URBAN		TRAFFIC SIGNALS		EVP
				ROADWAY 0004	ROADWAY 0004	0021		0021
80% FED 20% STATE	100% VILLAGE	80% FED 10% STATE	10% VILLAGE	100% VILLAGE				
* 87300925	ELECTRIC CABLE IN CONDUIT, TRACER, NO. 14 1C	FOOT	4302			4302		
* 87301215	ELECTRIC CABLE IN CONDUIT, SIGNAL NO. 14 2C	FOOT	2381			2381		
* 87301225	ELECTRIC CABLE IN CONDUIT, SIGNAL NO. 14 3C	FOOT	1313			1313		
* 87301245	ELECTRIC CABLE IN CONDUIT, SIGNAL NO. 14 5C	FOOT	1626			1626		
* 87301255	ELECTRIC CABLE IN CONDUIT, SIGNAL NO. 14 7C	FOOT	383			383		
* 87301305	ELECTRIC CABLE IN CONDUIT, LEAD-IN, NO. 14 1 PAIR	FOOT	1891			1891		
* 87301805	ELECTRIC CABLE IN CONDUIT, SERVICE, NO.6 2 C	FOOT	69			69		
* 87301900	ELECTRIC CABLE IN CONDUIT, EQUIPMENT GROUNDING CONDUCTOR, NO.6 1C	FOOT	3585			3585		
* 87502500	TRAFFIC SIGNAL POST, GALVANIZED STEEL 16 FT.	EACH	3			3		
* 87700110	STEEL MAST ARM ASSEMBLY AND POLE, 14 FT.	EACH	1			1	⚠	
* 87700220	STEEL MAST ARM ASSEMBLY AND POLE, 36 FT.	EACH	2			2		
* 87800100	CONCRETE FOUNDATION, TYPE A	FOOT	36			36		
* 87800150	CONCRETE FOUNDATION, TYPE C	FOOT	4			4		
* 87800415	CONCRETE FOUNDATION, TYPE E 36-INCH DIAMETER	FOOT	22			22	⚠	

* SPECIALTY ITEMS

MODEL: Default
FILE NAME: W:\357-029 MHS-BLA IDOT YR W0-7 IL 19ICADD Sheets\0160721-19r-summary of quantities.dgn

⚠ REV SHEET 8/31/2020

REV-SEP

 BLA, Inc. ITASCA, ILLINOIS	USER NAME = WTeng	DESIGNED - WINSON TENG	REVISED -	STATE OF ILLINOIS DEPARTMENT OF TRANSPORTATION	IL RTE 19 AT JUDD AVENUE SUMMARY OF QUANTITIES	F.A.P. RTE. 345	SECTION 3058A-N(14)	COUNTY COOK	TOTAL SHEETS 106	SHEET NO. 14
	PLOT SCALE = 100.0000' / in.	CHECKED - MATTHEW CESARIO	REVISED +			SCALE: N.T.S.	SHEET 11 OF 15 SHEETS	STA. N/A	TO STA. N/A	CONTRACT NO. 60Y21
	PLOT DATE = 6/20/2020	DATE - 06/05/2020	REVISED -			ILLINOIS FED. AID PROJECT				

CODE NO.	ITEM	UNIT	URBAN TOTAL QUANTITY	CONSTRUCTION CODE				
				ROADWAY 0004		TRAFFIC SIGNALS 0021		EVP 0021
				80% FED 20% STATE	100% VILLAGE	80% FED 10% STATE 10% VILLAGE	100% VILLAGE	100% VILLAGE
* 87900200	DRILL EXISTING HANDHOLE	EACH	1			1		
* 88030020	SIGNAL HEAD, LED, 1-FACE, 3-SECTION, MAST-ARM MOUNTED	EACH	6			6		
* 88030050	SIGNAL HEAD, LED, 1-FACE, 3-SECTION, BRACKET MOUNTED	EACH	5			5		
* 88030100	SIGNAL HEAD, LED, 1-FACE, 5-SECTION, BRACKET MOUNTED	EACH	1			1		
* 88030110	SIGNAL HEAD, LED, 1-FACE, 5-SECTION, MAST-ARM MOUNTED	EACH	1			1		
* 88102717	PEDESTRIAN SIGNAL HEAD, LED, 1-FACE, BRACKET MOUNTED WITH COUNTDOWN TIMER	EACH	4			4		
* 88200410	TRAFFIC SIGNAL BACKPLATE, LOUVERED, FORMED PLASTIC	EACH	7			7		
* 88500100	INDUCTIVE LOOP DETECTOR	EACH	6			6		
* 88600100	DETECTOR LOOP, TYPE 1	FOOT	201			201		
* 88700200	LIGHT DETECTOR	EACH	2				2	
* 88700300	LIGHT DETECTOR AMPLIFIER	EACH	1				1	
* 88800100	PEDESTRIAN PUSH-BUTTON	EACH	4			4		
* 89000100	TEMPORARY TRAFFIC SIGNAL INSTALLATION	EACH	1			1		
* 89502300	REMOVE ELECTRIC CABLE FROM CONDUIT	FOOT	2338			2338		

* SPECIALTY ITEMS

△ REV SHEET 8/31/2020

REV-SEP

MODEL: Default
FILE NAME: W:\191-029 IHS-BLA IDOT Var WC-7 IL 19ICADD_Sheets\190721-qty-summary of quantities.dgn

BLA, Inc.
ITASCA, ILLINOIS

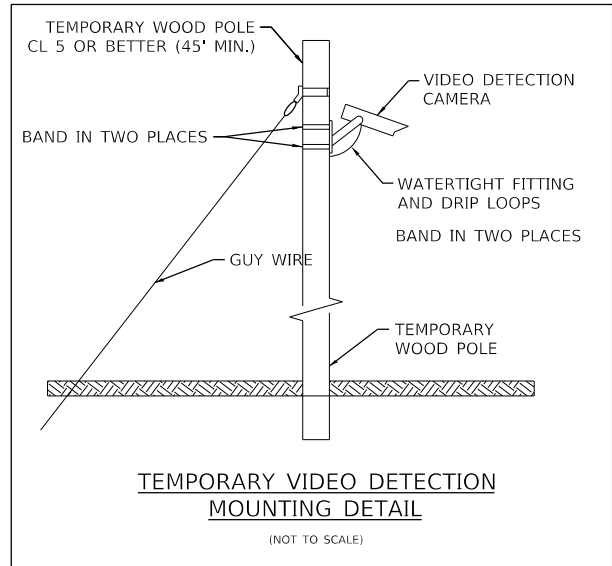
USER NAME = WTeng	DESIGNED - WINSON TENG	REVISED -
DRAWN - WINSON TENG	CHECKED - MATTHEW CESARIO	REVISED -
PLOT SCALE = 100.0000' / in.	DATE - 06/05/2020	REVISED -
PLOT DATE = 6/20/2020		

**STATE OF ILLINOIS
DEPARTMENT OF TRANSPORTATION**

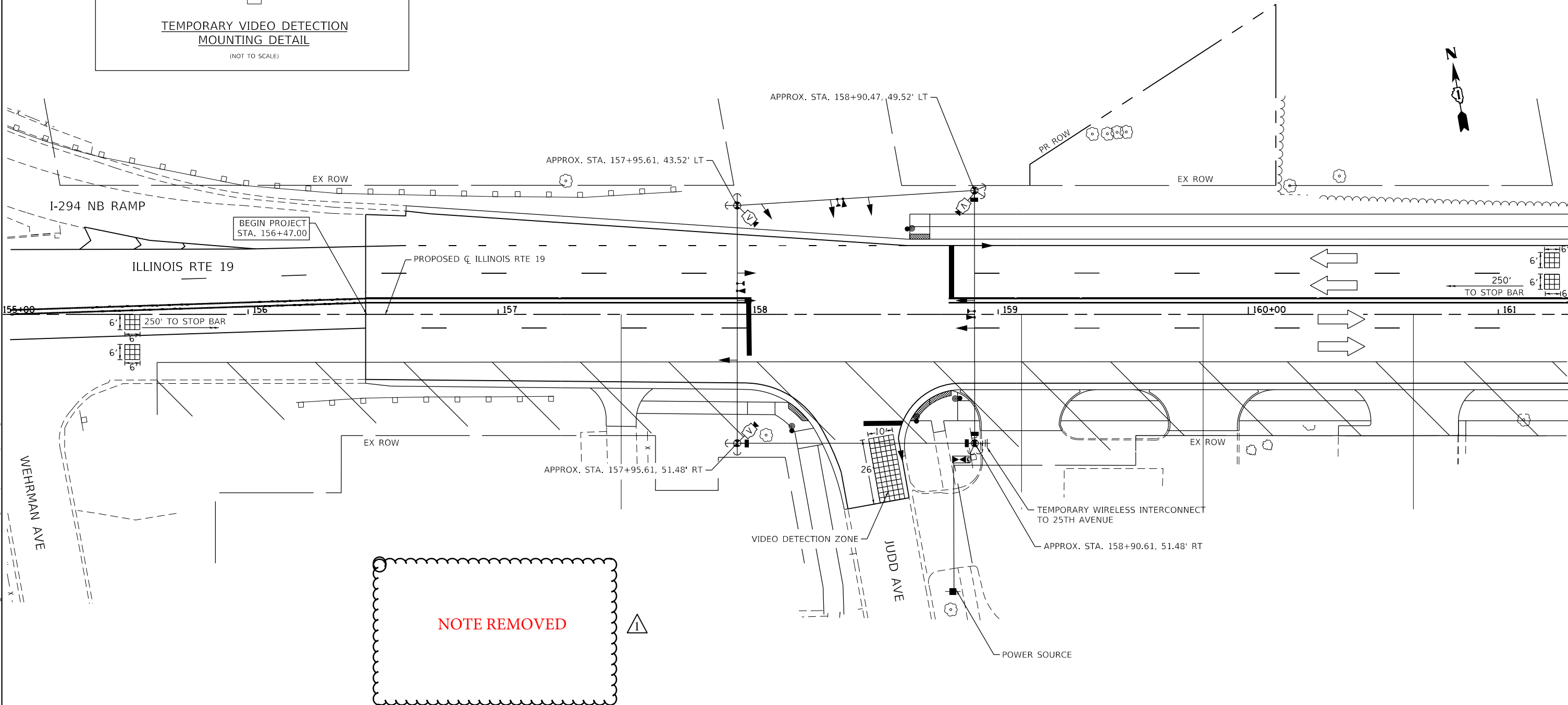
**IL RTE 19 AT JUDD AVENUE
SUMMARY OF QUANTITIES**

SCALE: N.T.S. SHEET 12 OF 15 SHEETS STA. N/A TO STA. N/A

F.A.P. RTE. 345	SECTION 3058A-N(14)	COUNTY COOK	TOTAL SHEETS 106	SHEET NO. 15
			CONTRACT NO. 60Y21	
ILLINOIS FED. AID PROJECT				



THE PROPOSED TRAFFIC SIGNAL EQUIPMENT FOR THIS PROJECT SHALL BE "EAGLE" TO MATCH THE EXISTING ADJACENT SYSTEM.



NOTE REMOVED

TS SHT NO. 2



USER NAME = Winson	DESIGNED - WINSON TENG	REVISED - 08/31/2020
DRAWN - WINSON TENG	CHECKED - MATTHEW CESARIO	REVISED -
PLOT SCALE = 40.0000 "/>		

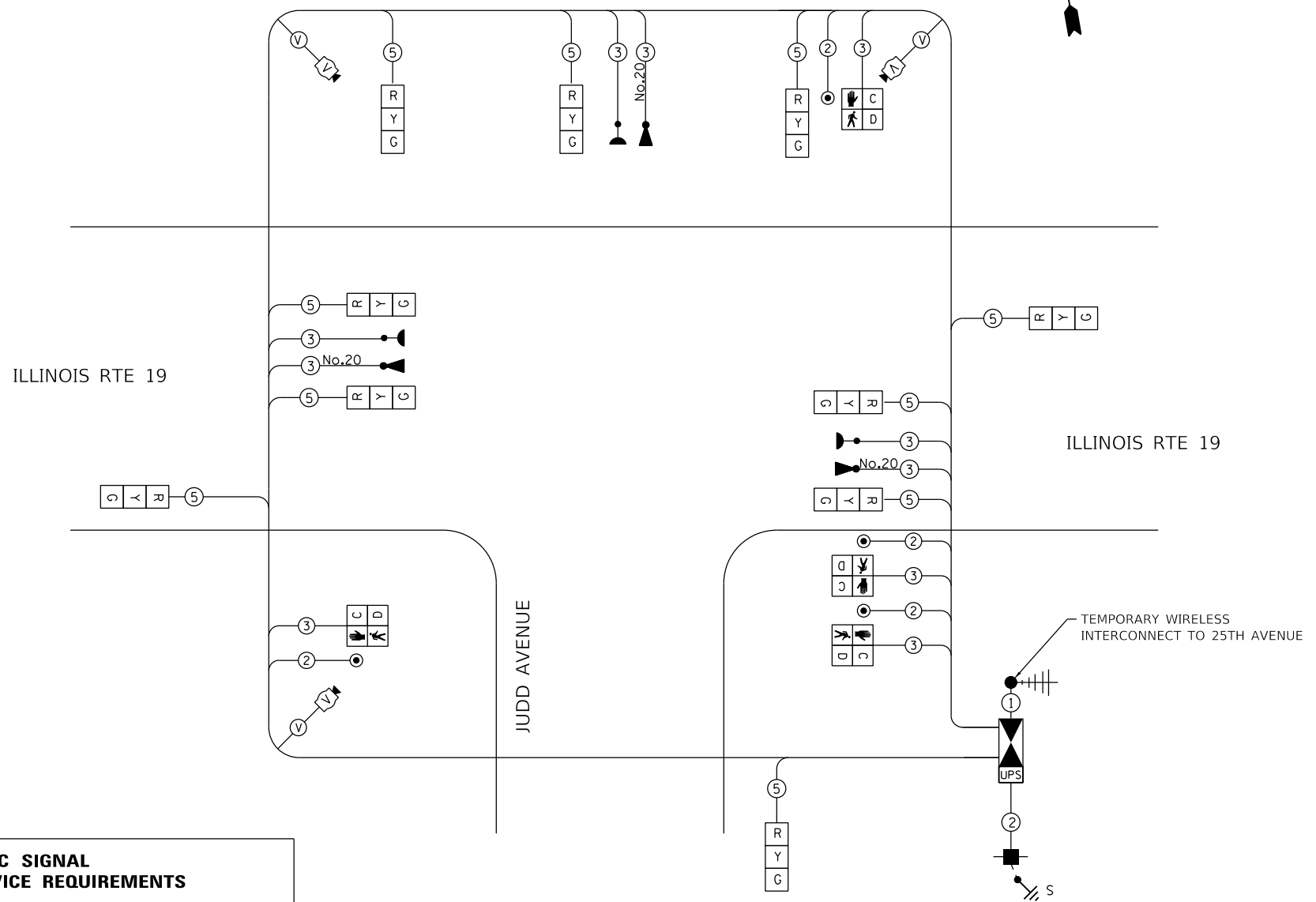
**STATE OF ILLINOIS
DEPARTMENT OF TRANSPORTATION**

**IL RTE 19 AT JUDD AVENUE
TEMPORARY TRAFFIC SIGNAL INSTALLATION PLAN - STAGE 2**

REV SHEET 8/31/2020		TS 1953 EAGLE 2K	
F.A.P. RTE.	SECTION	COUNTY	TOTAL SHEETS
345	3058A-N(14)	COOK	106
		SHEET NO. 67	
CONTRACT NO. 60Y21			
		ILLINOIS FED. AID PROJECT	

SCALE: 1" = 20' SHEET 2 OF 13 SHEETS STA. TO STA.

TS SHT NO. 3 For IVC-7 IL 19/CADD Sheets/D/60Y21-veh-traffic-signal-temp-cable-plan-stage-1.dgn



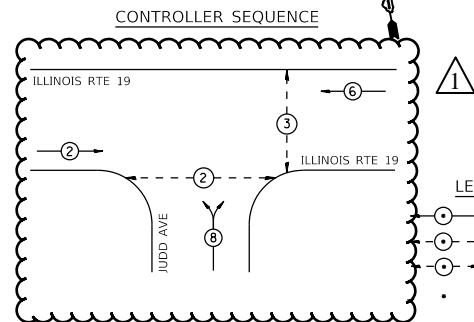
TRAFFIC SIGNAL ELECTRICAL SERVICE REQUIREMENTS

TYPE	NO. LAMPS	LED WATTAGE	% OPERATION	TOTAL WATTAGE
SIGNAL (RED)	9	11	50	49.5
(YELLOW)	9	20	5	9.0
(GREEN)	9	12	45	48.6
PERMISSIVE ARROW	3	10	10	3.0
PED. SIGNAL	4	20	100	80.0
CONTROLLER	1	100	100	100.0
UPS	1	25	100	25.0
VIDEO SYSTEM	1	150	100	150
BLANK-OUT SIGN	-	25	5	-
FLASHER	-	-	50	-
STREET NAME SIGN	-	120	50	-
LUMINAIRE	-	-	-	-
			TOTAL =	465.1

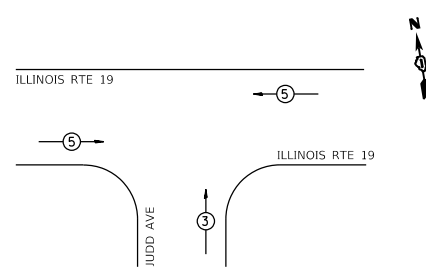
ENERGY COST TO:

THE VILLAGE OF SCHILLER PARK
9526 WEST IRVING PARK ROAD
SCHILLER PARK, ILLINOIS 60176

ENERGY SUPPLY: CONTACT: MR. JOE STACHO
PHONE: (630) 424-5704
COMPANY: COMMONWEALTH EDISON
ACCOUNT NUMBER: - - -



PHASE DESIGNATION DIAGRAM - STAGE 1



EMERGENCY VEHICLE PREEMPTION SEQUENCE - STAGE 1



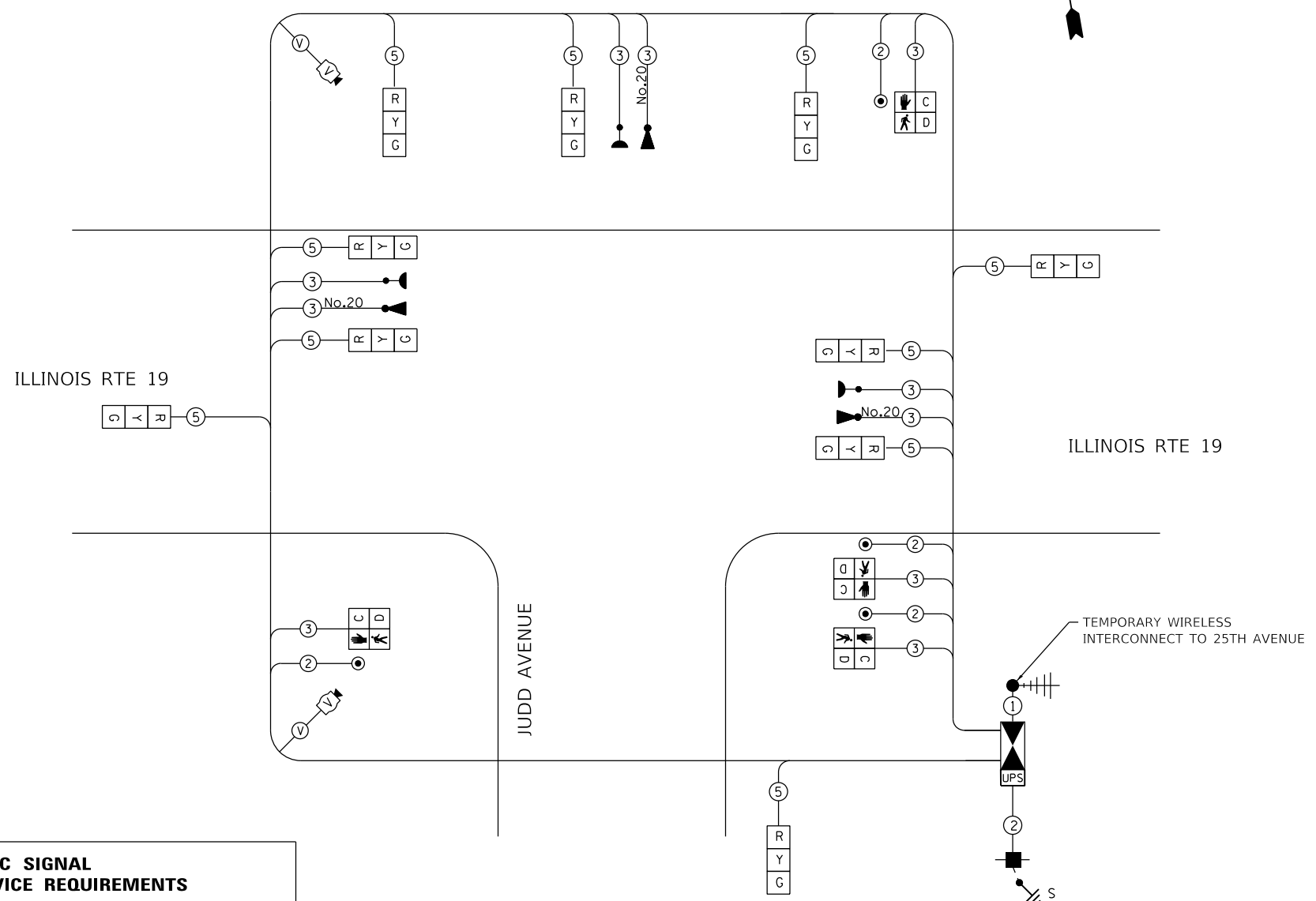
USER NAME = cesario	DESIGNED - WINSON TENG	REVISED - 08/31/2020
PLOT SCALE = 40.0000' / in.	DRAWN - WINSON TENG	REVISED -
PLOT DATE = 8/31/2020	CHECKED - MATTHEW CESARIO	REVISED -
	DATE - 06/05/2020	REVISED -

**STATE OF ILLINOIS
DEPARTMENT OF TRANSPORTATION**

**IL RTE 19 AT JUDD AVENUE
TEMPORARY CABLE PLAN, PHASE DESIGNATION DIAGRAM
AND EMERGENCY VEHICLE PREEMPTION SEQUENCE - PRESTAGE /STAGE 1**

SCALE: 1" = 20' SHEET 3 OF 13 SHEETS STA. TO STA.

REV SHEET 8/31/2020		TS 1953 EAGLE 2K	
F.A.P. RTE. 345	SECTION 3058A-N(14)	COUNTY COOK	TOTAL SHEETS 106 SHEET NO. 68
		CONTRACT NO. 60Y21	
		ILLINOIS FED. AID PROJECT	

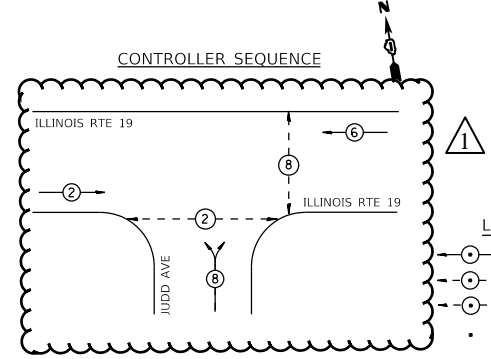


TRAFFIC SIGNAL ELECTRICAL SERVICE REQUIREMENTS

TYPE	NO. LAMPS	LED WATTAGE	% OPERATION	TOTAL WATTAGE
SIGNAL (RED)	9	11	50	49.5
(YELLOW)	9	20	5	9.0
(GREEN)	9	12	45	48.6
PERMISSIVE ARROW	3	10	10	3.0
PED. SIGNAL	4	20	100	80.0
CONTROLLER	1	100	100	100.0
UPS	1	25	100	25.0
VIDEO SYSTEM	1	150	100	150
BLANK-OUT SIGN	-	25	5	-
FLASHER	-	-	50	-
STREET NAME SIGN	-	120	50	-
LUMINAIRE	-	-	-	-
			TOTAL =	465.1

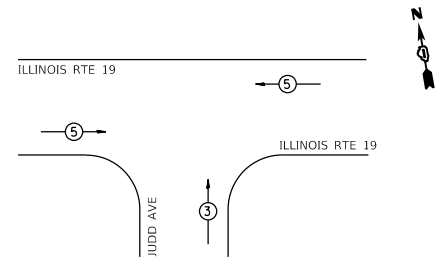
ENERGY COST TO:
 THE VILLAGE OF SCHILLER PARK
 9526 WEST IRVING PARK ROAD
 SCHILLER PARK, ILLINOIS 60176

ENERGY SUPPLY: CONTACT: MR. JOE STACHO
 PHONE: (630) 424-5704
 COMPANY: COMMONWEALTH EDISON
 ACCOUNT NUMBER: - - -



PHASE DESIGNATION DIAGRAM - STAGE 2

- LEGEND:**
- PROTECTED PHASE
 - ◐ PROTECTED / PERMITTED PHASE
 - ◑ PEDESTRIAN PHASE
 - NUMBER REFERS TO ASSOCIATED PHASE



EMERGENCY VEHICLE PREEMPTION SEQUENCE - STAGE 2

TS SHT NO. 4 Ver. WO-7 IL 19/CADD Sheets/D160Y21-shr-traffic-signal-temp-cable-plan-stage 2.dgn



USER NAME = cesario	DESIGNED - WINSON TENG	REVISED - 08/31/2020
PLOT SCALE = 40.0000' / in.	DRAWN - WINSON TENG	REVISED -
PLOT DATE = 8/31/2020	CHECKED - MATTHEW CESARIO	REVISED -
	DATE - 06/05/2020	REVISED -

**STATE OF ILLINOIS
 DEPARTMENT OF TRANSPORTATION**

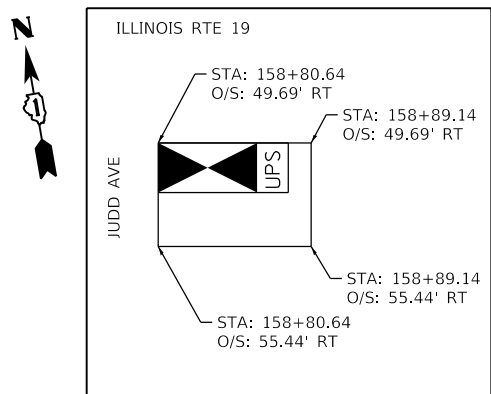
**IL RTE 19 AT JUDD AVENUE
 TEMPORARY CABLE PLAN, PHASE DESIGNATION DIAGRAM
 AND EMERGENCY VEHICLE PREEMPTION SEQUENCE - STAGE 2**

SCALE: 1" = 20' SHEET 4 OF 13 SHEETS STA. TO STA.

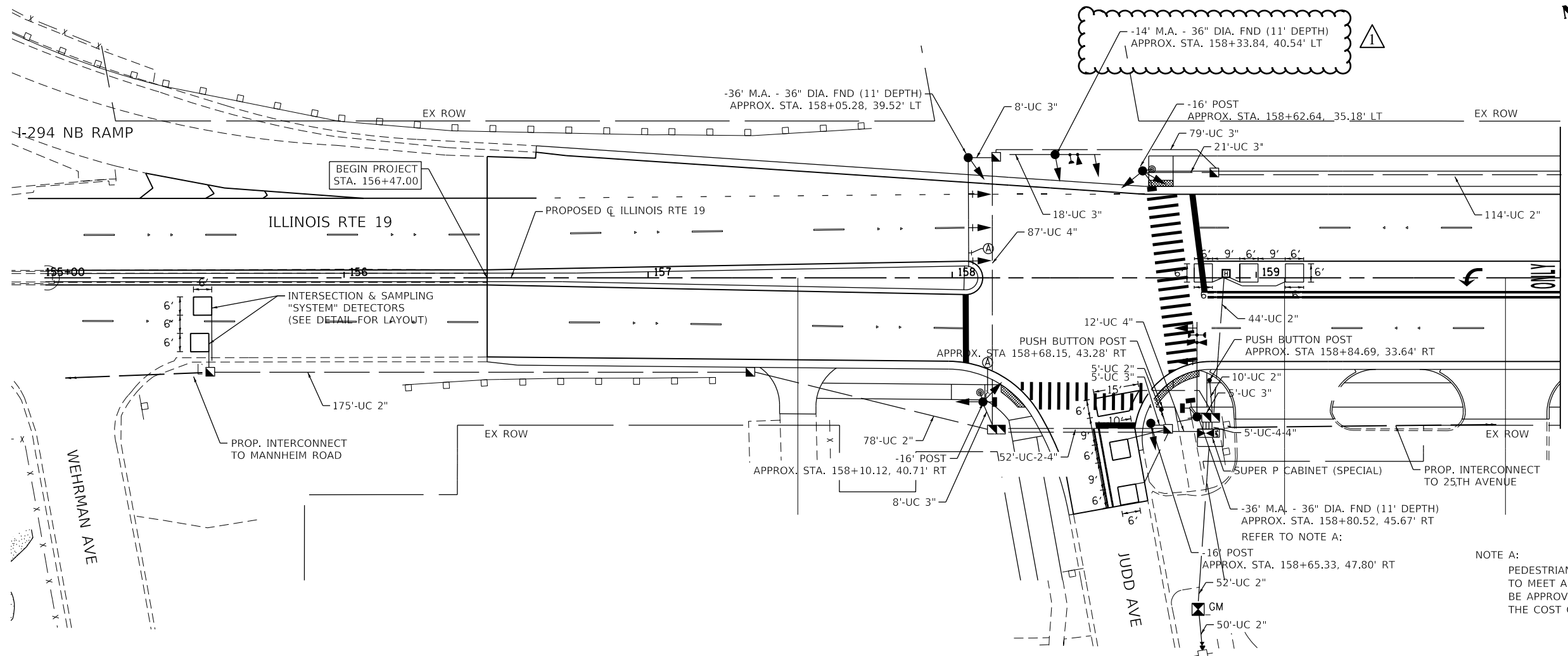
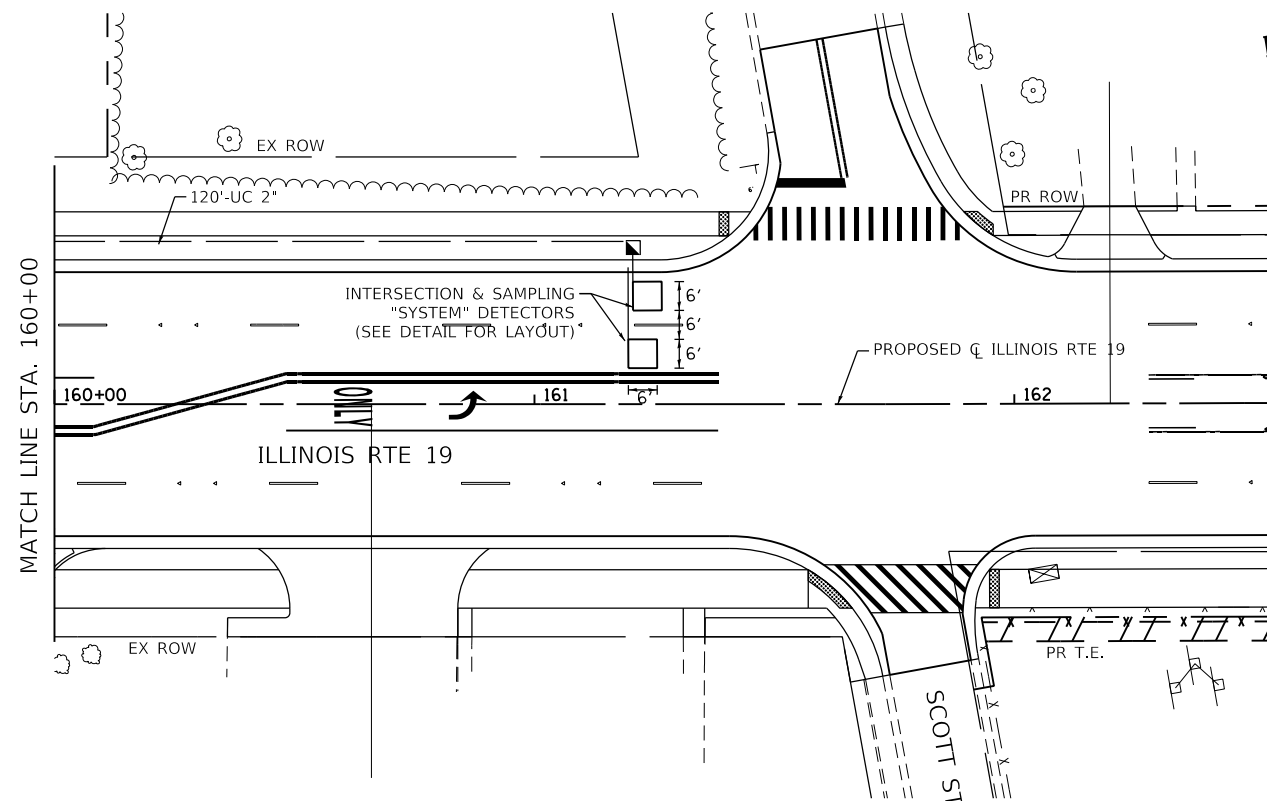
F.A.P. RTE. 345	SECTION 3058A-N(14)	COUNTY COOK	TOTAL SHEETS 106	SHEET NO. 69
	CONTRACT NO. 60Y21			
ILLINOIS FED. AID PROJECT				

REV SHEET 8/31/2020 **TS 1953 EAGLE 2K**

TRAFFIC SIGNAL CABINET FOUNDATION LAYOUT



THE PROPOSED TRAFFIC SIGNAL EQUIPMENT FOR THIS PROJECT SHALL BE "EAGLE" TO MATCH THE EXISTING ADJACENT SYSTEM.



TS SHT NO. 7 for 100-7 IL 19UCADD_Sheets\160Y21-shi-traffic_signal_installation_pln.dgn



USER NAME = cesario	DESIGNED - WINSON TENG	REVISED - 08/31/2020
PLOT SCALE = 40.0000' / in.	DRAWN - WINSON TENG	REVISED -
PLOT DATE = 8/31/2020	CHECKED - MATTHEW CESARIO	REVISED -
	DATE - 06/05/2020	REVISED -

STATE OF ILLINOIS
DEPARTMENT OF TRANSPORTATION

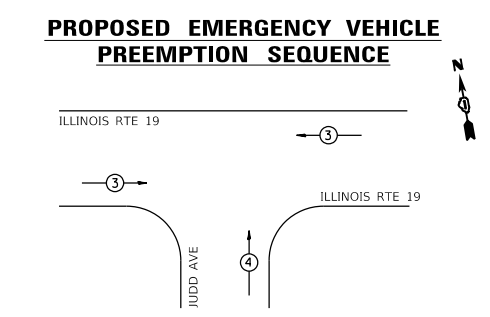
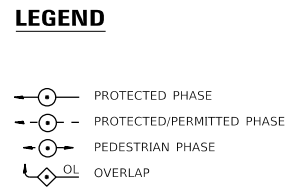
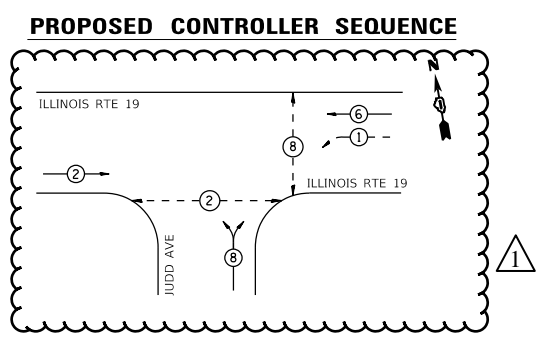
IL RTE 19 AT JUDD AVENUE
TRAFFIC SIGNAL INSTALLATION PLAN

SCALE: 1" = 20' SHEET 7 OF 13 SHEETS STA. TO STA.

REV SHEET 8/31/2020

TS 1953
EAGLE 2K

F.A.P. RTE.	SECTION	COUNTY	TOTAL SHEETS	SHEET NO.
345	3058A-N(14)	COOK	106	72
			CONTRACT NO. 60Y21	
ILLINOIS FED. AID PROJECT				



PROPOSED INTERSECTION AND SAMPLING "SYSTEM" DETECTORS

PROPOSED INTERSECTION AND SAMPLING "SYSTEM" DETECTORS

INTERCONNECT TO MANNHEIM ROAD
No. 62.5/125 MM12F & SM24F
FIBER OPTIC CABLE

INTERCONNECT TO 25TH AVENUE
No. 62.5/125 MM12F & SM24F
FIBER OPTIC CABLE

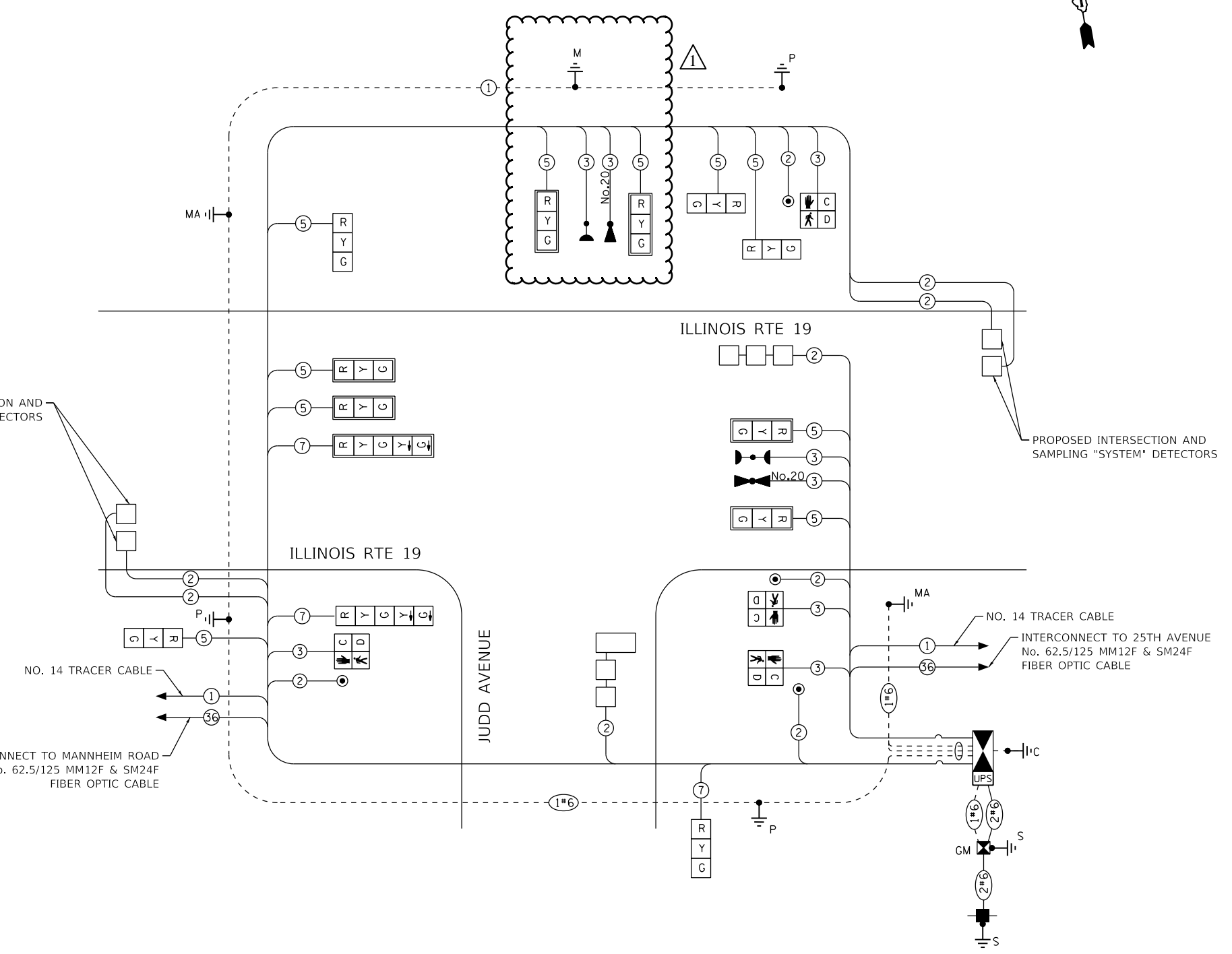
TRAFFIC SIGNAL ELECTRICAL SERVICE REQUIREMENTS

TYPE	NO. LAMPS	LED WATTAGE	% OPERATION	TOTAL WATTAGE
SIGNAL (RED)	13	11	50	71.5
(YELLOW)	13	20	5	13.0
(GREEN)	13	12	45	70.2
PERMISSIVE ARROW	4	10	10	4.0
PED. SIGNAL	4	20	100	80.0
CONTROLLER	1	100	100	100.0
UPS	1	25	100	25.0
VIDEO SYSTEM	-	150	100	-
BLANK-OUT SIGN	-	25	5	-
FLASHER	-	-	50	-
STREET NAME SIGN	-	120	50	-
LUMINAIRE	-	-	-	-
ENERGY COST TO:			TOTAL =	363.7

THE VILLAGE OF SCHILLER PARK
9526 WEST IRVING PARK ROAD
SCHILLER PARK, ILLINOIS 60176

ENERGY SUPPLY: CONTACT: MR. JOE STACHO
PHONE: (630) 424-5704
COMPANY: COMMONWEALTH EDISON
ACCOUNT NUMBER: - - -

THE END OF THE TRACER CABLE SHALL BE CONTINUOUS AND EXTEND INTO THE CABINET



TS SHT NO. 8



USER NAME = cesario	DESIGNED - WINSON TENG	REVISED - 08/31/2020
PLOT SCALE = 40.0000 "/>		

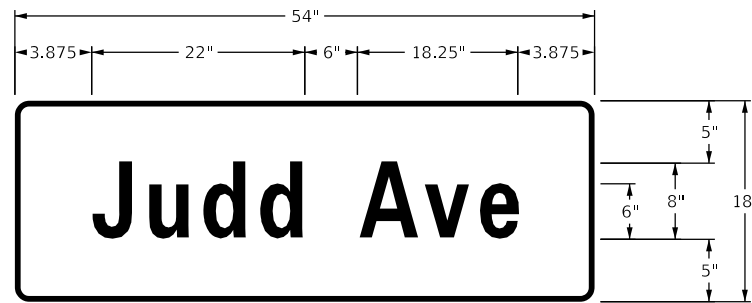
STATE OF ILLINOIS
DEPARTMENT OF TRANSPORTATION

IL RTE 19 AT JUDD AVENUE
CABLE PLAN, PHASE DESIGNATION DIAGRAM
AND EMERGENCY VEHICLE PREEMPTION SEQUENCE

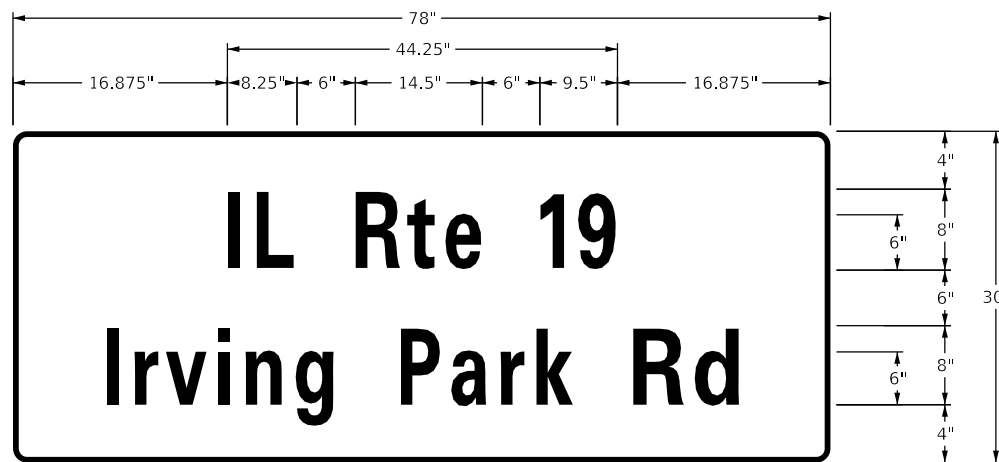
SCALE: 1" = 20' SHEET 8 OF 13 SHEETS STA. TO STA.

REV SHEET 8/31/2020		TS 1953 EAGLE 2K	
F.A.P. RTE.	SECTION	COUNTY	TOTAL SHEETS
345	3058A-N(14)	COOK	106
		SHEET NO. 73	
CONTRACT NO. 60Y21			
ILLINOIS FED. AID PROJECT			

SIGN PANEL – TYPE 1 OR TYPE 2



DESIGN SERIES	AREA (SQ FT)	SIGN PANEL TYPE	SHEETING TYPE	QTY. REQUIRED	NO.: SIDES
D	6.75	1	ZZ	2	1



DESIGN SERIES	AREA (SQ FT)	SIGN PANEL TYPE	SHEETING TYPE	QTY. REQUIRED	NO.: SIDES
D	16.25	2	ZZ	1	1

NOTE: FOR ADDITIONAL DESIGN AND INSTALLATION INFORMATION PLEASE SEE DISTRICT ONE MAST ARM MOUNTED STREET NAME SIGNS DETAIL.

SCHEDULE OF QUANTITIES

ITEM	UNIT	QNTY.
SIGN PANEL - TYPE 1	SQ FT	13.5
SIGN PANEL - TYPE 2	SQ FT	16.25
SERVICE INSTALLATION - GROUND MOUNTED, METERED	EACH	1
UNDERGROUND CONDUIT, GALVANIZED STEEL, 2" DIA.	FOOT	648
UNDERGROUND CONDUIT, GALVANIZED STEEL, 3" DIA.	FOOT	144
UNDERGROUND CONDUIT, GALVANIZED STEEL, 4" DIA.	FOOT	171
HANDHOLE	EACH	6
HEAVY-DUTY HANDHOLE	EACH	1
DOUBLE HANDHOLE	EACH	2
TRANSCEIVER - FIBER OPTIC	EACH	1
ELECTRIC CABLE IN CONDUIT, SIGNAL NO. 14 2C	FOOT	2381
ELECTRIC CABLE IN CONDUIT, SIGNAL NO. 14 3C	FOOT	1313
ELECTRIC CABLE IN CONDUIT, SIGNAL NO. 14 5C	FOOT	1626
ELECTRIC CABLE IN CONDUIT, SIGNAL NO. 14 7C	FOOT	383
ELECTRIC CABLE IN CONDUIT, LEAD-IN, NO. 14 1 PAIR	FOOT	1891
ELECTRIC CABLE IN CONDUIT, SERVICE, NO. 6 2 C	FOOT	69
ELECTRIC CABLE IN CONDUIT, EQUIPMENT GROUNDING CONDUCTOR, NO. 6 1C	FOOT	3585
TRAFFIC SIGNAL POST, GALVANIZED STEEL 16 FT.	EACH	3
PEDESTRAIN PUSH BUTTON POST TYPE A	EACH	2
STEEL MAST ARM ASSEMBLY AND POLE, 14 FT.	EACH	1
STEEL MAST ARM ASSEMBLY AND POLE, 36 FT.	EACH	2
CONCRETE FOUNDATION, TYPE A	FOOT	28
CONCRETE FOUNDATION, TYPE C	FOOT	4
CONCRETE FOUNDATION, TYPE E 36-INCH DIAMETER	FOOT	33
SIGNAL HEAD, LED, 1-FACE, 3-SECTION, MAST-ARM MOUNTED	EACH	6
SIGNAL HEAD, LED, 1-FACE, 3-SECTION, BRACKET MOUNTED	EACH	5
SIGNAL HEAD, LED, 1-FACE, 5-SECTION, BRACKET MOUNTED	EACH	1
SIGNAL HEAD, LED, 1-FACE, 5-SECTION, MAST-ARM MOUNTED	EACH	1
PEDESTRIAN SIGNAL HEAD, LED, 1-FACE, BRACKET MOUNTED WITH COUNTDOWN TIMER	EACH	4
TRAFFIC SIGNAL BACKPLATE, LOUVERED, FORMED PLASTIC	EACH	7
INDUCTIVE LOOP DETECTOR	EACH	6
DETECTOR LOOP, TYPE I	FOOT	201
* LIGHT DETECTOR	EACH	2
* LIGHT DETECTOR AMPLIFIER	EACH	1
PEDESTRIAN PUSH-BUTTON	EACH	4
TEMPORARY TRAFFIC SIGNAL INSTALLATION	EACH	1
REMOVE EXISTING TRAFFIC SIGNAL EQUIPMENT	EACH	1
REMOVE EXISTING HANDHOLE	EACH	6
REMOVE EXISTING DOUBLE HANDHOLE	EACH	1
REMOVE EXISTING CONCRETE FOUNDATION	EACH	8
* EMERGENCY VEHICLE PRIORITY SYSTEM LINE SENSOR CABLE, NO. 20 3/C	FOOT	288
FULL-ACTUATED CONTROLLER AND TYPE SUPER P CABINET (SPECIAL)	EACH	1
UNINTERRUPTABLE POWER SUPPLY, SPECIAL	EACH	1
TEMPORARY TRAFFIC SIGNA TIMING	EACH	2

* 100% COST TO THE VILLAGE OF SCHILLER PARK

TS SHT NO. 9 For W07-IL-19-CADD_SheetsD16021-1st-traffic-signal-street-name sign and SCD.dgn



USER NAME = cesario	DESIGNED - WINSON TENG	REVISED - 08/31/2020
PLOT SCALE = 40.0000' / in.	DRAWN - WINSON TENG	REVISED -
PLOT DATE = 8/31/2020	CHECKED - MATTHEW CESARIO	REVISED -
	DATE - 06/05/2020	REVISED -

**STATE OF ILLINOIS
DEPARTMENT OF TRANSPORTATION**

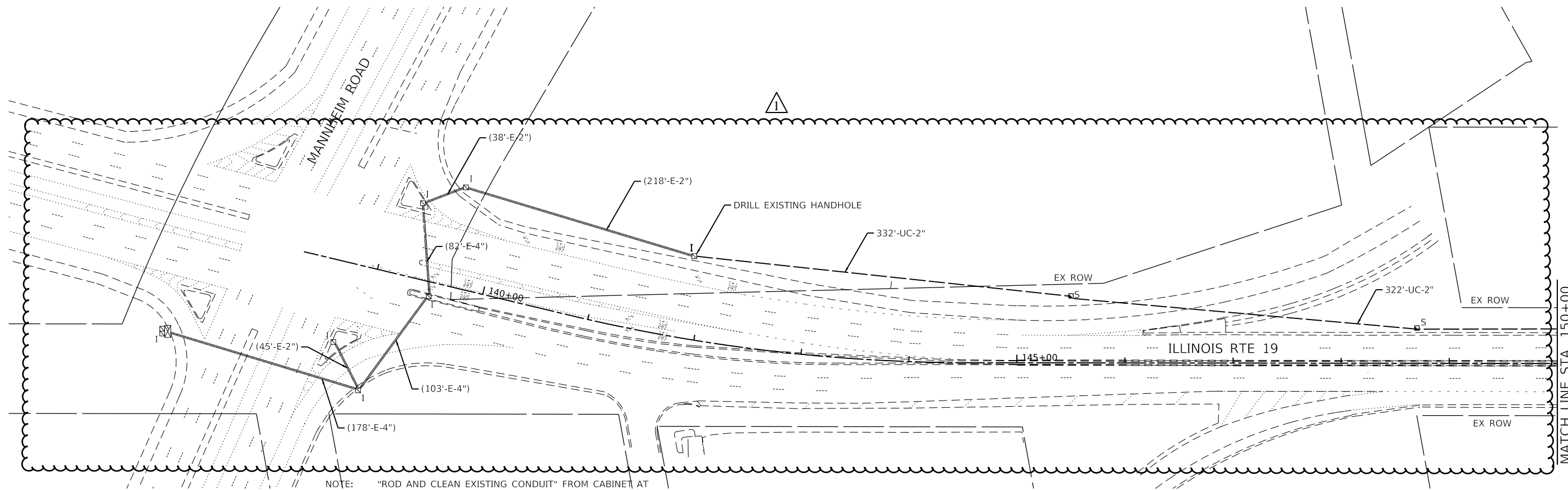
**IL RTE 19 AT JUDD AVENUE
MAST ARM MOUNTED STREET NAME SIGNS
AND SCHEDULE OF QUANTITIES**

SCALE: N.T.S. SHEET 9 OF 13 SHEETS STA. TO STA.

REV SHEET 8/31/2020

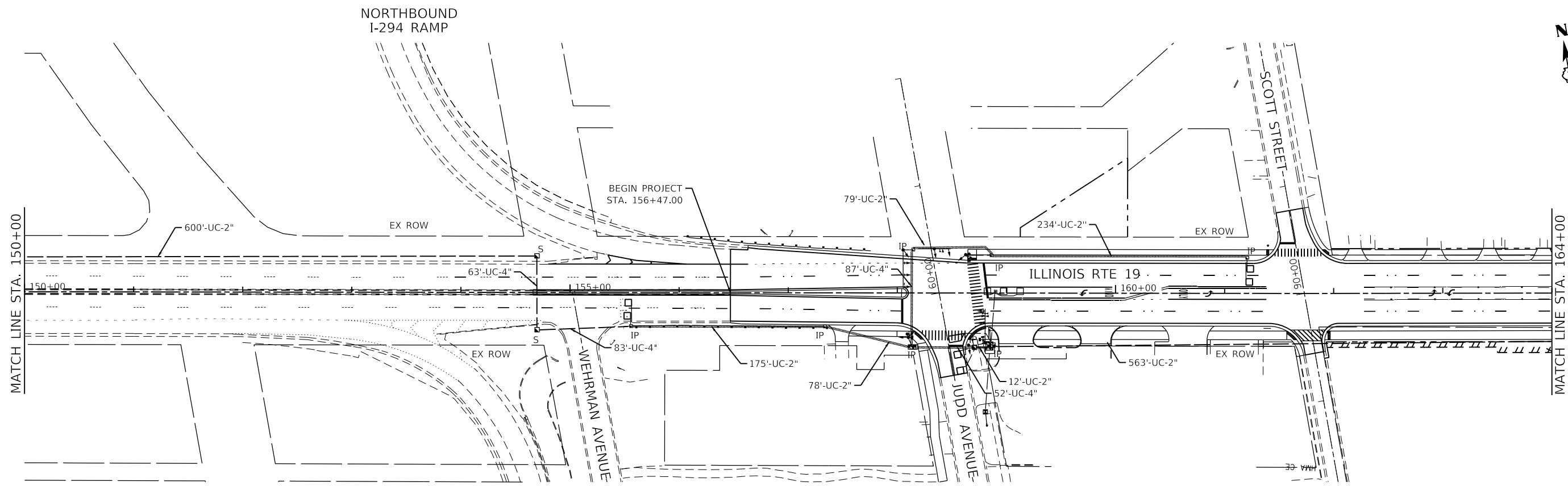
TS 1953
EAGLE 2K

F.A.P. RTE.	SECTION	COUNTY	TOTAL SHEETS	SHEET NO.
345	3058A-N(14)	COOK	106	74
CONTRACT NO. 60Y21				
ILLINOIS		FED. AID PROJECT		



NOTE: "ROD AND CLEAN EXISTING CONDUIT" FROM CABINET AT MANNHEIM ROAD TO EX. HANDHOLE AT STATION 141+85 LT

MATCH LINE STA. 150+00



BEGIN PROJECT STA. 156+47.00

MATCH LINE STA. 150+00

MATCH LINE STA. 164+00

TS SHT NO. 10

REV SHEET 8/31/2020

EAGLE 2K



USER NAME = cesario	DESIGNED - WINSON TENG	REVISED - 08/31/2020
PLOT SCALE = 100.0000' / in.	DRAWN - WINSON TENG	REVISED -
PLOT DATE = 8/31/2020	CHECKED - MATTHEW CESARIO	REVISED -
	DATE - 06/05/2020	REVISED -

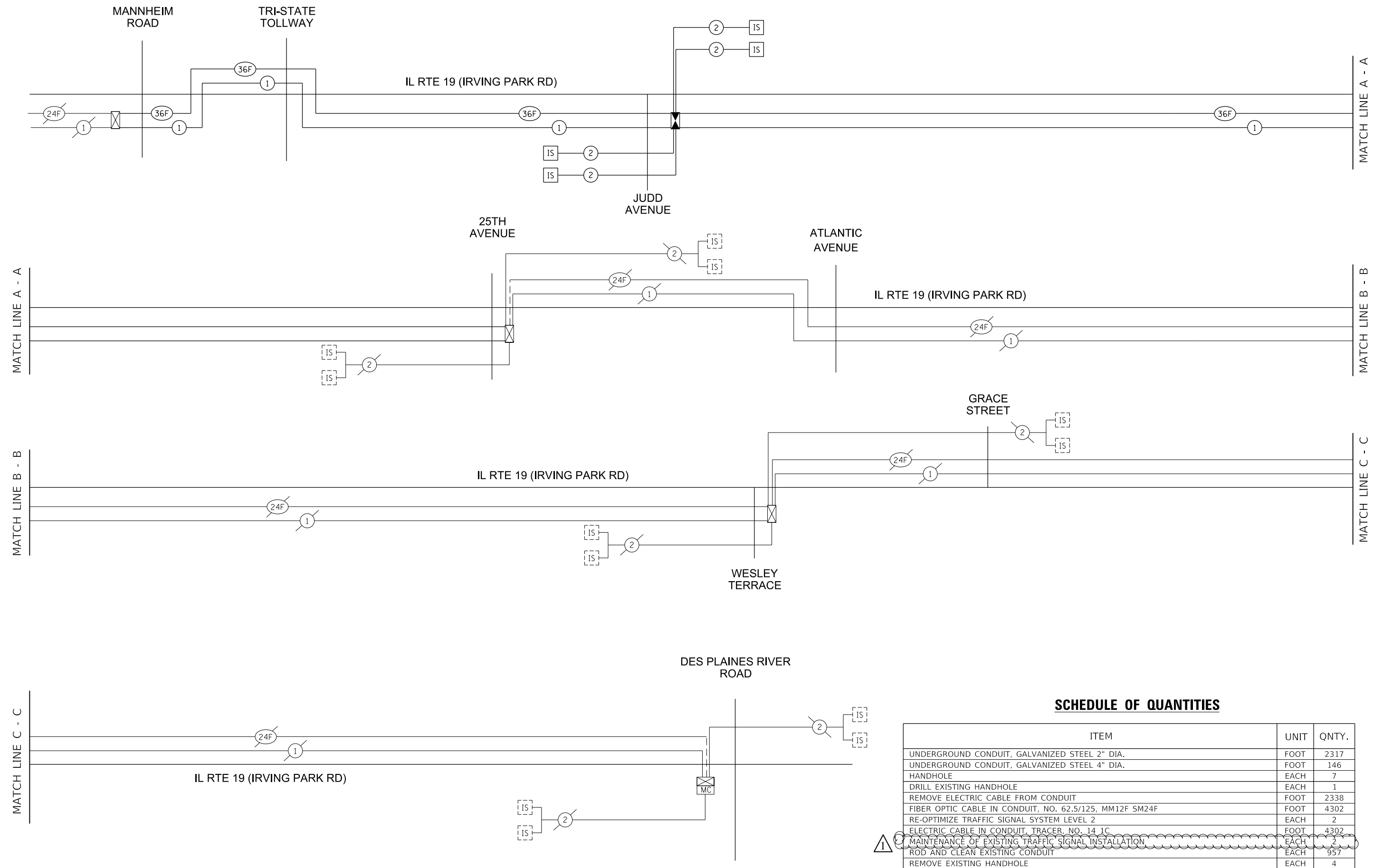
STATE OF ILLINOIS
DEPARTMENT OF TRANSPORTATION

PROPOSED INTERCONNECT PLAN (1 OF 3)
IL RTE 19 FROM
JUDD AVENUE TO DES PLAINES RIVER ROAD

SCALE: 1" = 50' SHEET 10 OF 13 SHEETS STA. TO STA.

F.A.P. RTE.	SECTION	COUNTY	TOTAL SHEETS	SHEET NO.
345	3058A-N(14)	COOK	106	75
CONTRACT NO. 60Y21				

ILLINOIS FED. AID PROJECT



SCHEDULE OF QUANTITIES

ITEM	UNIT	QNTY.
UNDERGROUND CONDUIT, GALVANIZED STEEL 2" DIA.	FOOT	2317
UNDERGROUND CONDUIT, GALVANIZED STEEL 4" DIA.	FOOT	146
HANDHOLE	EACH	7
DRILL EXISTING HANDHOLE	EACH	1
REMOVE ELECTRIC CABLE FROM CONDUIT	FOOT	2338
FIBER OPTIC CABLE IN CONDUIT, NO. 62.5/125, MM12F SM24F	FOOT	4302
RE-OPTIMIZE TRAFFIC SIGNAL SYSTEM LEVEL 2	EACH	2
ELECTRIC CABLE IN CONDUIT, TRACER, NO. 14 1C	FOOT	4302
MAINTENANCE OF EXISTING TRAFFIC SIGNAL INSTALLATION	EACH	2
ROD AND CLEAN EXISTING CONDUIT	EACH	957
REMOVE EXISTING HANDHOLE	EACH	4



REV SHEET 8/31/2020 **EAGLE 2K**

TS SHIT NO. 13



USER NAME = cesario	DESIGNED - WINSON TENG	REVISED - 08/31/2020
PLOT SCALE = 40.0000' / in.	DRAWN - WINSON TENG	REVISED -
PLOT DATE = 8/31/2020	CHECKED - MATTHEW CESARIO	REVISED -
	DATE - 06/05/2020	REVISED -

**STATE OF ILLINOIS
DEPARTMENT OF TRANSPORTATION**

**IL RTE 19 FROM JUDD AVENUE TO DES PLAINES RIVER ROAD
PROPOSED INTERCONNECT SCHEMATIC**

SCALE: N.T.S. SHEET 13 OF 13 SHEETS STA. TO STA.

F.A.P. RTE.	SECTION	COUNTY	TOTAL SHEETS	SHEET NO.
345	3058A-N(14)	COOK	106	78
CONTRACT NO. 60Y21				
ILLINOIS FED. AID PROJECT				