

MATCHLINE SB I-94 (RYAN) STA. 1258+05.00

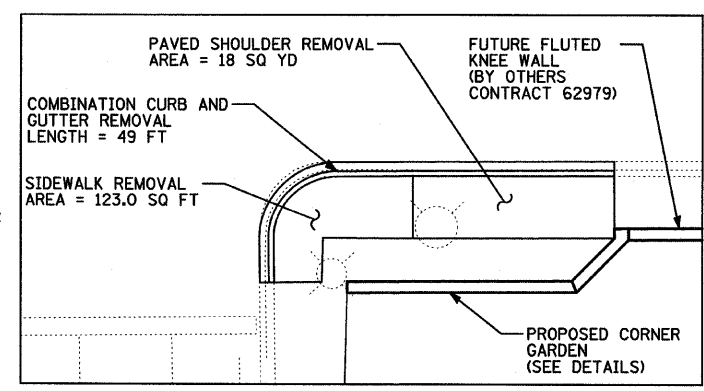
MATCHLINE SB I-94 (RYAN) STA. 1260+95.00

NOTES:

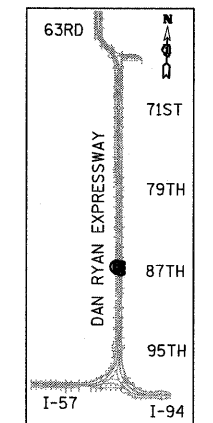
1. MASTER IRRIGATION CONTROL VALVE IS TO BE INSTALLED AT THE DESIGNATED LOCATION SPECIFIED BY THE CITY OF CHICAGO DURING CONSTRUCTION AND ON PUBLIC PROPERTY.
2. THERMOPLASTIC PAVEMENT MARKING QUANTITIES HAVE BEEN PROVIDED IN THE EVENT THAT THE TRENCHING AND PATCHING OPERATIONS REMOVE EXISTING PAVEMENT MARKINGS.
3. THE CONTRACTOR SHALL USE CARE IN GRADING OR EXCAVATING NEAR ANY AND ALL EXISTING ITEMS WHICH WILL NOT BE REMOVED. ANY DAMAGE DONE TO EXISTING ITEMS BY THE CONTRACTOR SHALL BE REPAIRED BY THE CONTRACTOR AT THE CONTRACTOR'S EXPENSE.
4. THE CONTRACTOR SHALL TAKE ALL NECESSARY PRECAUTIONS FOR THE PROTECTION OF EXISTING PLANT MATERIAL FOR WHICH THE CONTRACT DOES NOT PROVIDE REMOVAL. THE PROTECTION OF EXISTING PLANT MATERIAL AND THE REPAIR OR REPLACEMENT OF EXISTING PLANT MATERIAL DAMAGED BY THE CONTRACTOR SHALL BE DONE IN ACCORDANCE WITH THE REQUIREMENTS OF SECTION 201.07 OF THE STANDARD SPECIFICATIONS
5. ANY EXISTING SUB-BASE MATERIAL SHALL BE REPLACED IN KIND WITH SUB-BASE GRANULAR MATERIAL, TYPE B 6". THE COST SHALL BE INCLUDED IN THE PROPOSED RESTORATION PAY ITEM.
6. QUANTITY FOR CHAIN LINK FENCE TO BE REMOVED AND RE-ERECTED HAS BEEN PROVIDED IN THE EVENT THAT CONTRACT 62979 HAS NOT COMMENCED CONSTRUCTION OF THE FLUTED KNEE WALL. COORDINATE WITH CONTRACT 62979. IF REQUIRED, THE CHAIN LINK FENCE SHALL BE RELOCATED FROM STA. 1259+91 TO STA. 1263+06 WITH AN OFFSET OF 6.5 FT FROM BACK OF CURB.
7. HOT-MIX ASPHALT SURFACE COURSE, MIX "D", N 70 AND HOT-MIX ASPHALT SURFACE REMOVAL, 1 1/2" QUANTITIES HAVE BEEN PROVIDED FOR ADDITIONAL RESURFACING REQUIREMENTS (FULL-LANE WIDTH) IF NEEDED.

LEGEND:

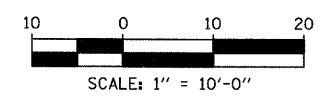
- SILT FENCE
- EXISTING SWALE
- INLET FILTER
- EXISTING MANHOLE
- EXISTING DROP MANHOLE
- EXISTING JUNCTION CHAMBER
- DIRECTION OF TRAFFIC
- AREA FOR TEMPORARY EROSION CONTROL SEEDING
- GATEWAY AREA (SEE LANDSCAPE PLANS)
- IRRIGATION WATER SERVICE (SEE PLANS FOR TYPE)



NW QUADRANT REMOVAL DETAIL



LOCATION MAP



REVISIONS	
NAME	DATE

ILLINOIS DEPARTMENT OF TRANSPORTATION
F.A.I. 94 (DAN RYAN EXPRESSWAY)
WATER SERVICE AND EROSION CONTROL PLAN
SW & NW QUADRANTS AT 87TH ST - SB I-94
STA. 1258+05.00 TO STA. 1260+95.00
SHEET 2 OF 3

SCALE: 1"=10'-0"
 DATE: JUNE 20, 2008

DRAWN BY: JDF
 CHECKED BY: JPM

6/23/2008 9:39:26 AM