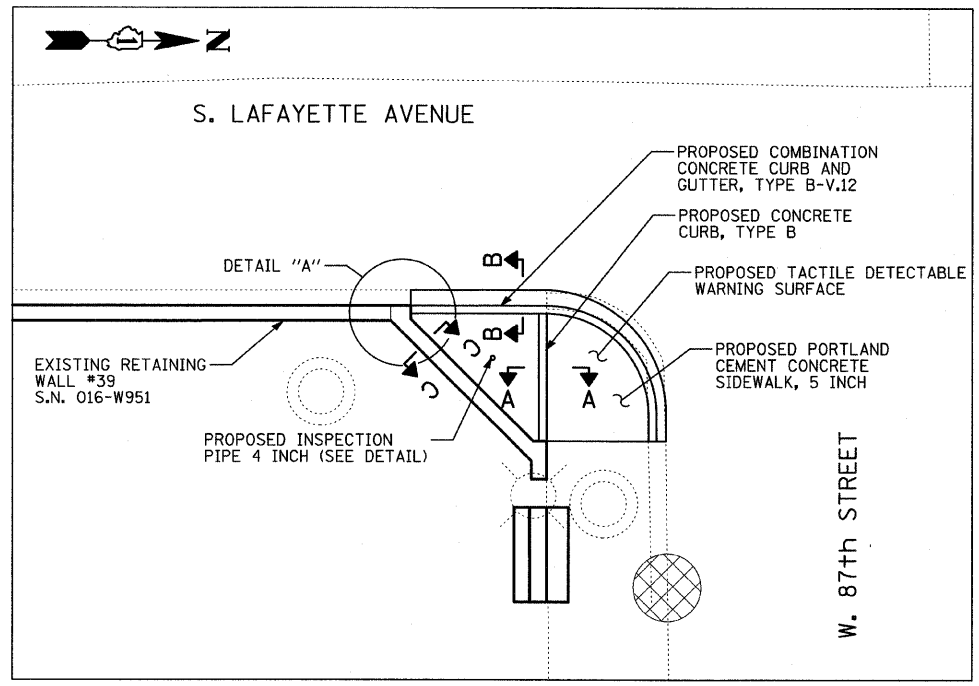
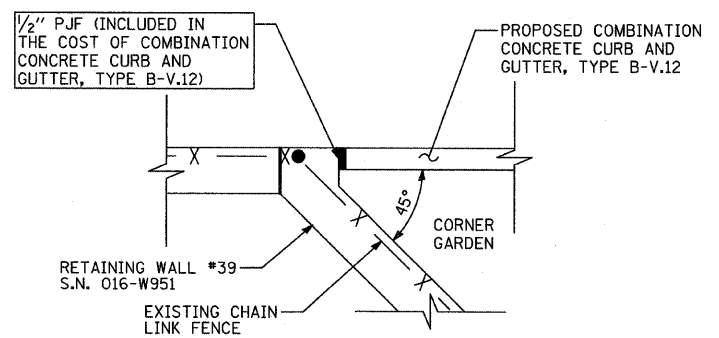


F.A.I. NO.	SECTION	COUNTY	TOTAL SHEETS	SHEET NO.
94	2005-069 LS	COOK	60	35
STA. 1255+15 (SB I-94) TO STA. 1263+40 (SB I-94)				
FED. ROAD DIST. NO. ILLINOIS FED. AID PROJECT				

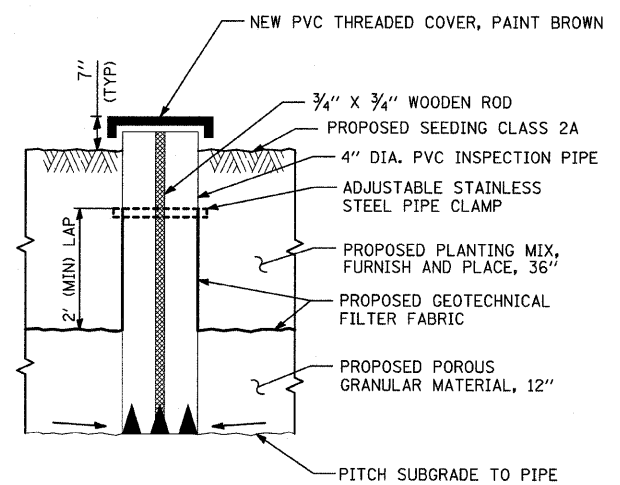
60A75



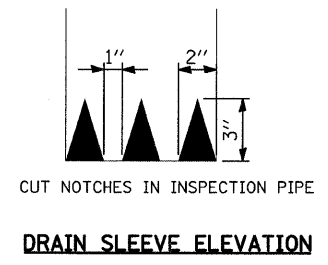
SW CORNER GARDEN AT 87TH STREET



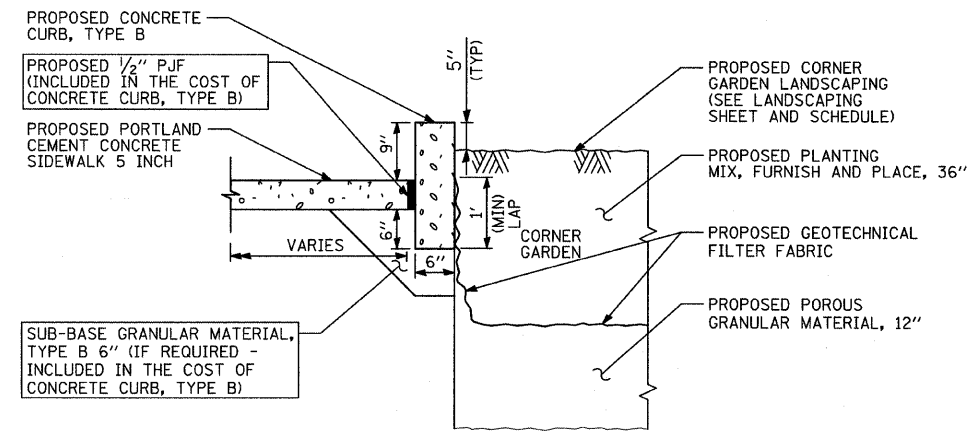
DETAIL A



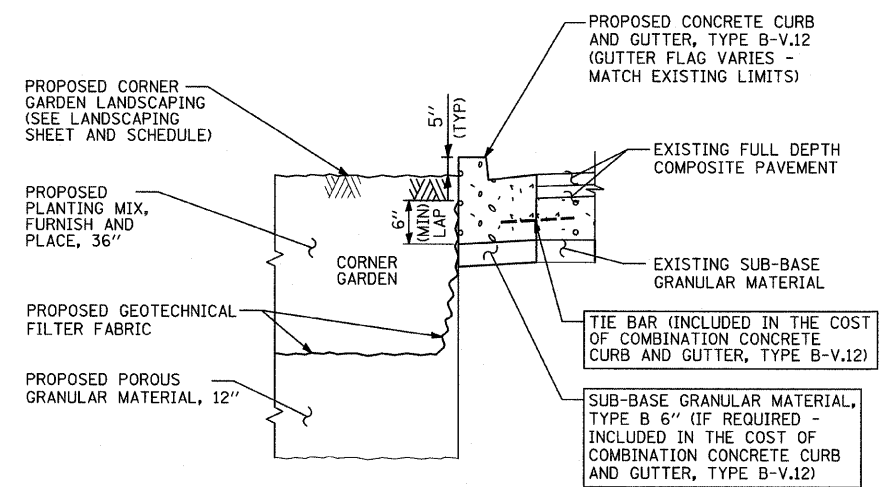
INSPECTION PIPE, 4"



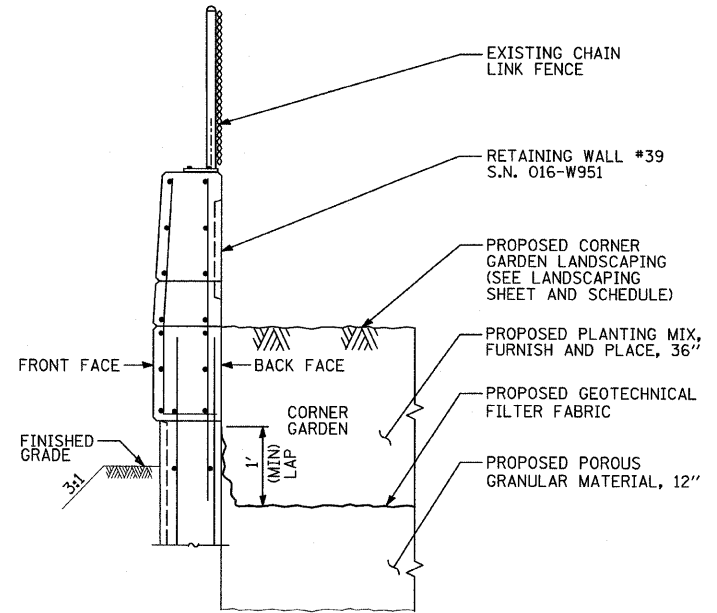
CUT NOTCHES IN INSPECTION PIPE
DRAIN SLEEVE ELEVATION



SECTION A-A



SECTION B-B



SECTION C-C

TYLIN INTERNATIONAL

REVISIONS	
NAME	DATE

ILLINOIS DEPARTMENT OF TRANSPORTATION
F.A.I. 94 (DAN RYAN EXPRESSWAY)

SW CORNER GARDEN DETAIL -
87TH STREET AND LAFAYETTE AVENUE

SCALE: NOT TO SCALE
DATE: JUNE 20, 2008

DRAWN BY: JDF
CHECKED BY: JPM

6/23/2008 9:39:39 AM