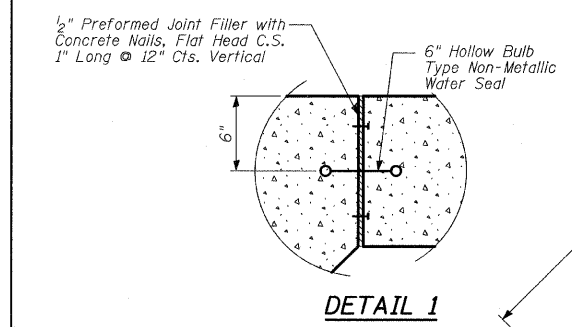
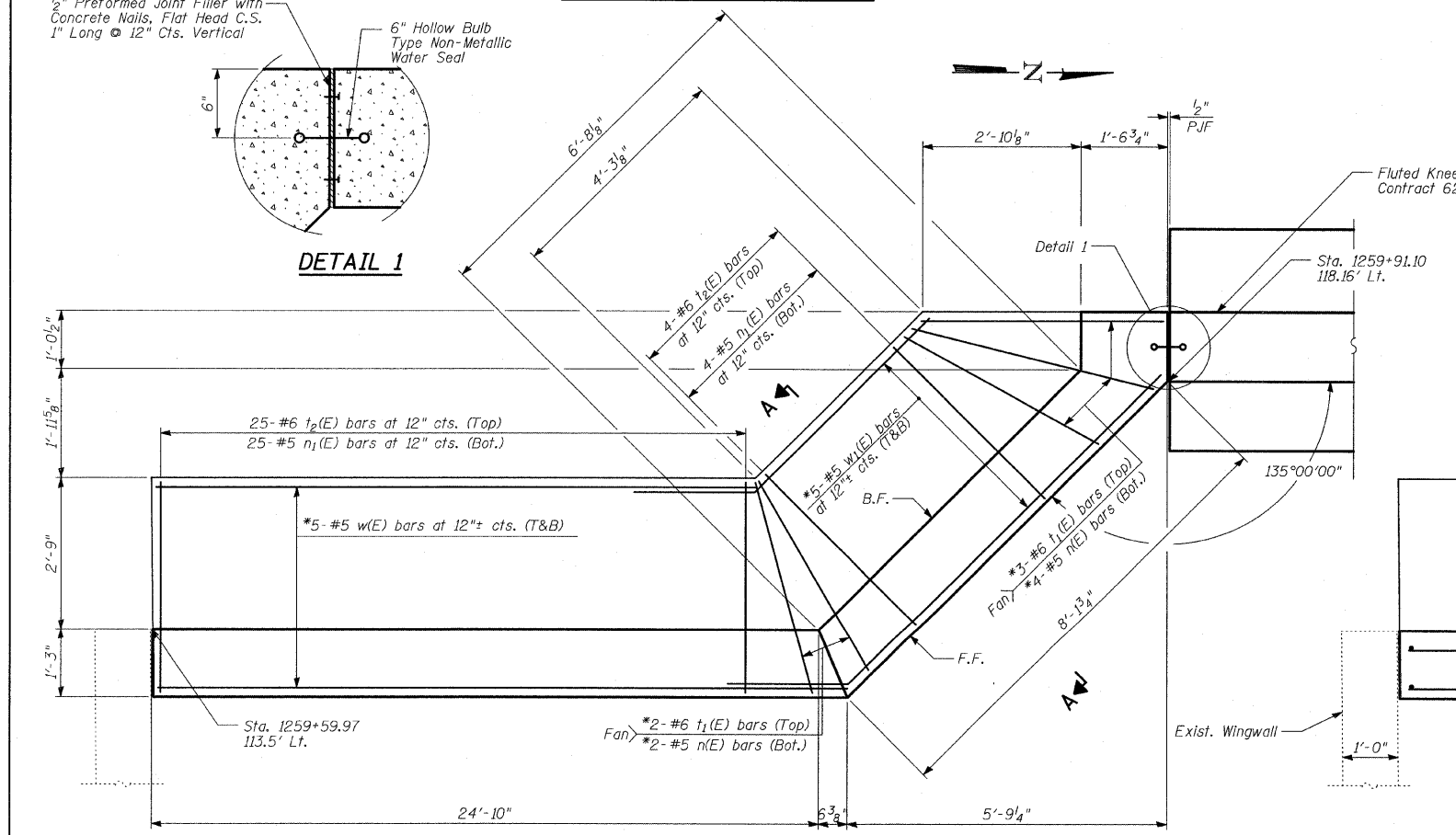


ELEVATION AT FRONT FACE



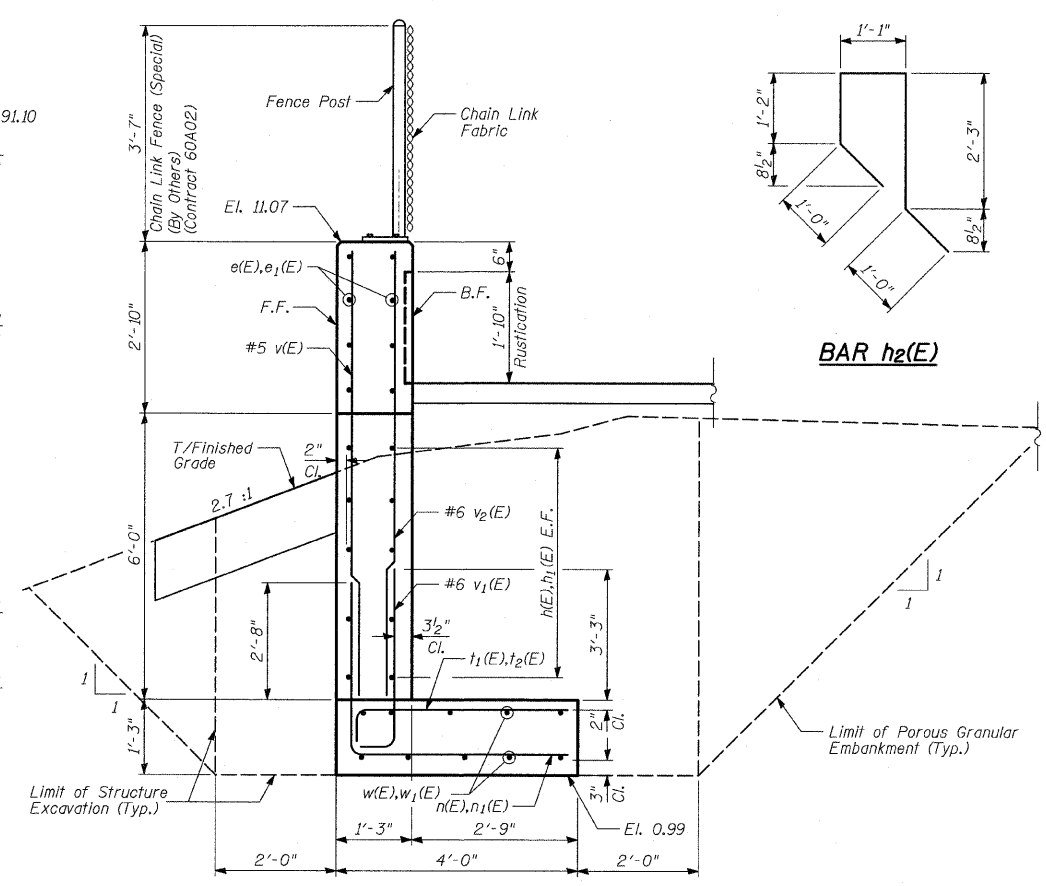
DETAIL 1



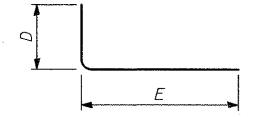
FOUNDATION - PLAN
NW Quadrant at 87th Street

* Cut bars to fit in field

TYLIN INTERNATIONAL



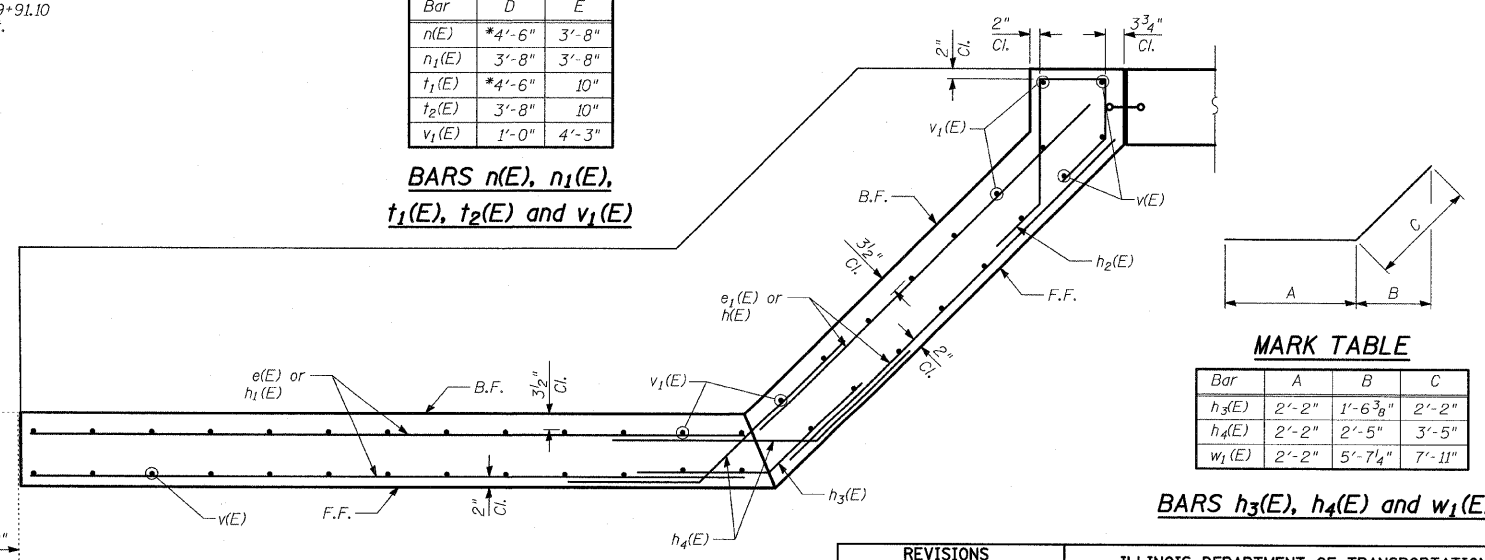
SECTION A-A
Sta. 1259+59.97 to Sta. 1259+78.25



MARK TABLE

Bar	D	E
n(E)	*4'-6"	3'-8"
n1(E)	3'-8"	3'-8"
t1(E)	*4'-6"	10"
t2(E)	3'-8"	10"
v1(E)	1'-0"	4'-3"

BARS n(E), n1(E), t1(E), t2(E) and v1(E)



MARK TABLE

Bar	A	B	C
h3(E)	2'-2"	1'-6 3/8"	2'-2"
h4(E)	2'-2"	2'-5"	3'-5"
w1(E)	2'-2"	5'-7 1/4"	7'-11"

BARS h3(E), h4(E) and w1(E)

LEGEND

E.F. - denotes Each Face
F.F. - denotes Front Face
B.F. - denotes Back Face
T&B - denotes Top and Bottom

BILL OF MATERIAL

Bar	No.	Size	Length	Shape	
e(E)	8	#4	25'-0"	—	
e1(E)	8	#4	7'-11"	—	
h(E)	10	#5	7'-11"	—	
h1(E)	10	#5	25'-0"	—	
h2(E)	9	#5	6'-6"	—	
h3(E)	9	#5	4'-4"	—	
h4(E)	18	#5	5'-7"	—	
n(E)	6	#5	8'-2"	—	
n1(E)	29	#5	7'-4"	—	
t1(E)	5	#6	5'-4"	—	
t2(E)	29	#6	4'-6"	—	
v(E)	36	#5	8'-8"	—	
v1(E)	35	#6	5'-3"	—	
v2(E)	35	#6	8'-8"	—	
w(E)	10	#5	25'-0"	—	
w1(E)	10	#5	10'-4"	—	
Reinforcement Bars, Epoxy Coated				POUND	2,670
Porous Granular Embankment				CU YD	89
Structure Excavation				CU YD	67
Concrete Structures				CU YD	20
Protective Coat				SQ YD	30
Rustication Finish				SQ FT	56

Reinforcement bars designated (E) shall be epoxy coated.

REVISIONS	
NAME	DATE

ILLINOIS DEPARTMENT OF TRANSPORTATION
F.A.I. 94 (DAN RYAN EXPRESSWAY)
TYPICAL SECTIONS, ELEVATIONS AND DETAILS - CORNER GARDEN
SCALE: N.T.S.
DATE: JUNE 20, 2008
DRAWN BY: MAF
CHECKED BY: PF