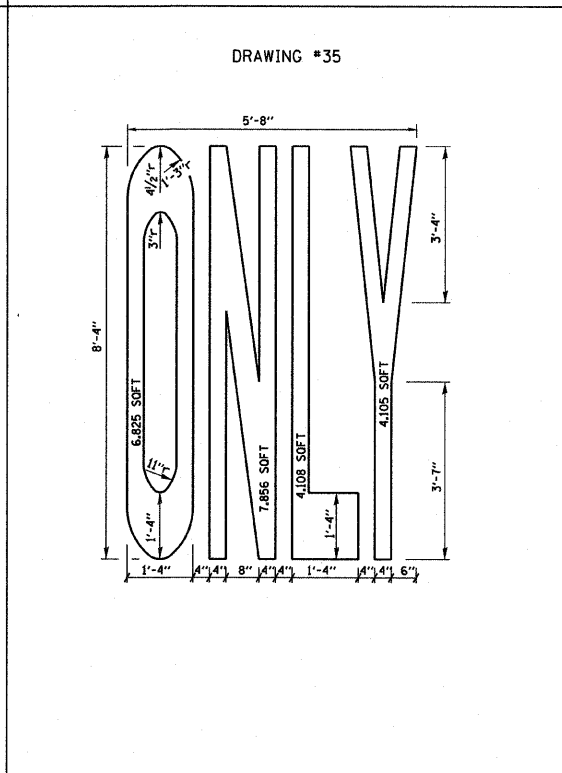
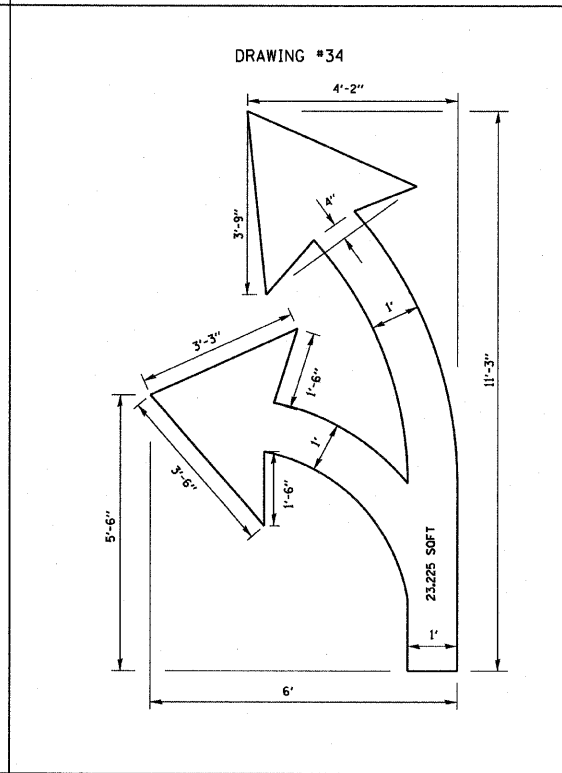
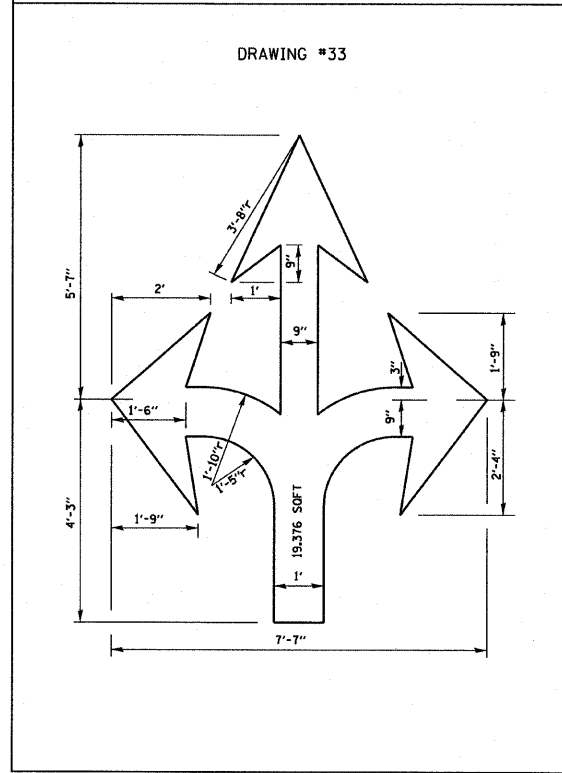
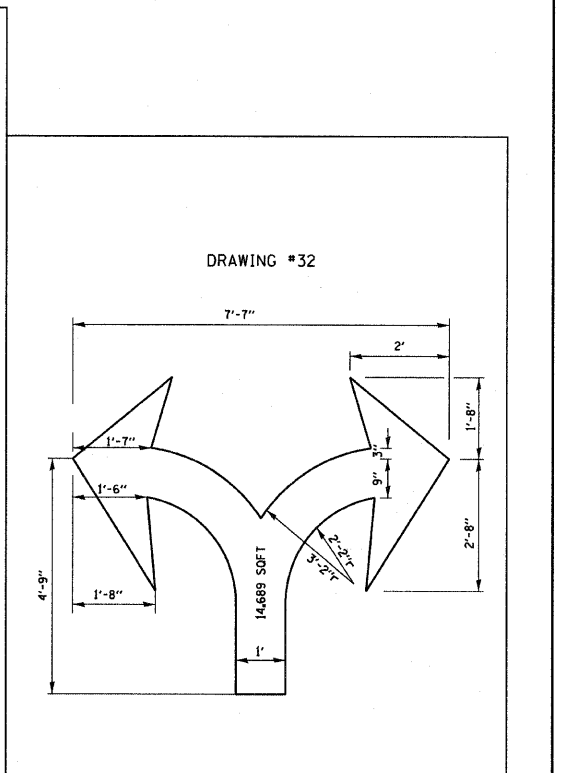
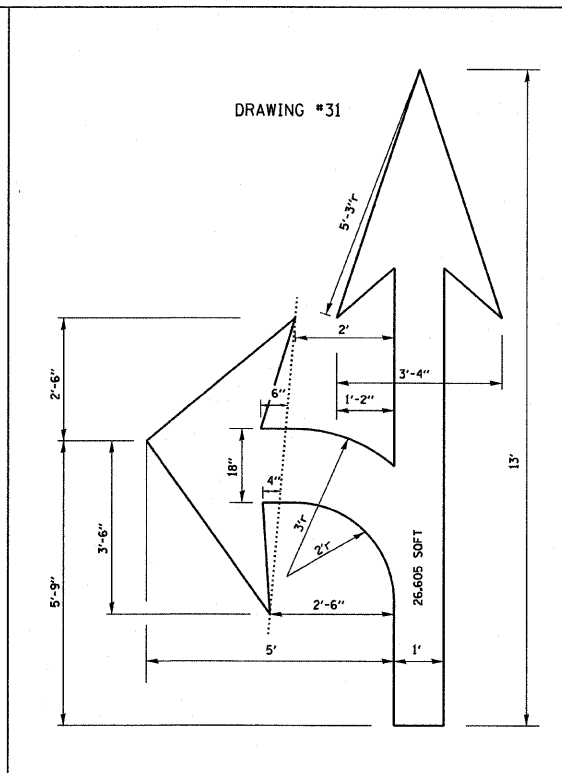
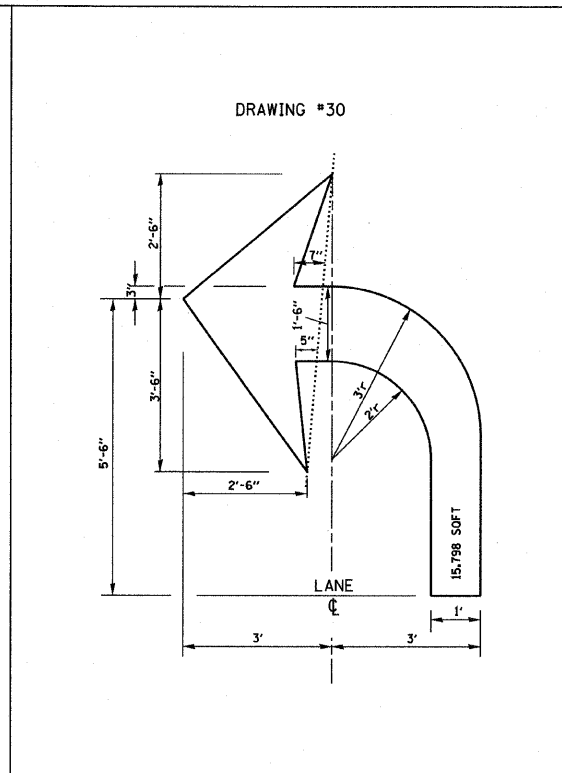
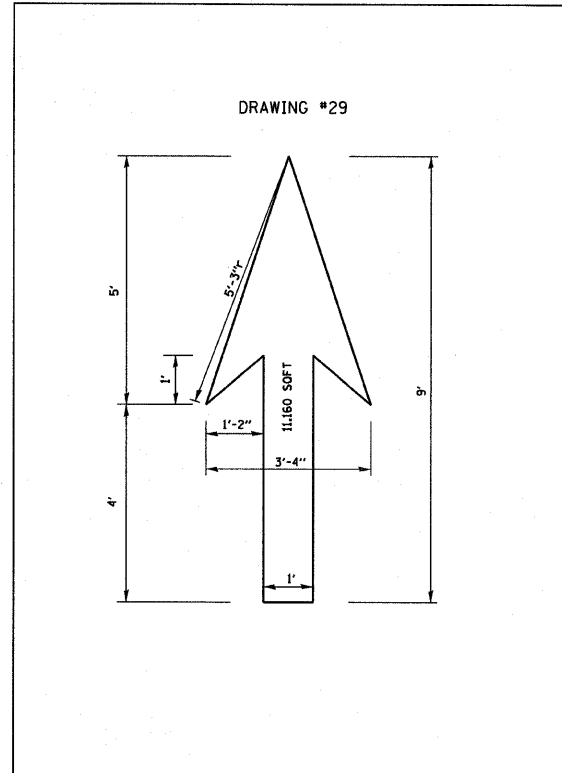


- NOTE:**
- FOR BIKE LANE SYMBOLS ONLY, USE PRE-FORMED THERMOPLASTIC WITH A MINIMUM THICKNESS OF 90 MILS, MINIMUM SKID RESISTANCE VALUE OF 60 BPN, & A MINIMUM INDEX OF REFRACTION OF 1.50.
  - THE RESIDENT ENGINEER SHALL CONTACT MR. BEN GOMBERG AT 312-744-8093 AT LEAST ONE CALENDAR WEEK PRIOR TO INSTALLING BIKE LANE SYMBOLS.

TYPICAL BIKE LANE SYMBOLS  
DRAWING #28



**NOTE:**  
ALL MARKINGS SHALL BE SOLID WHITE UNLESS OTHERWISE NOTED IN THE PLANS

FILE NAME = W:\diststd\22x34\to24.dgn	USER NAME = gaglianobt	DESIGNED - DRAWN -	REVISED - REVISED -
	PLOT SCALE = 50.000' / IN.	CHECKED -	REVISED -
	PLOT DATE = 1/4/2008	DATE -	REVISED -

STATE OF ILLINOIS  
DEPARTMENT OF TRANSPORTATION

CITY OF CHICAGO	
TYPICAL PAVEMENT MARKINGS	
SCALE: NONE	SHEET NO. 2 OF 2 SHEETS
STA.	TO STA.

F.A. RTE. #	SECTION	COUNTY	TOTAL SHEETS	SHEET NO.
94	2005-069 LS	COOK	60	60
TC-24		CONTRACT NO. 60A75		
FED. ROAD DIST. NO. 1 ILLINOIS FED. AID PROJECT				