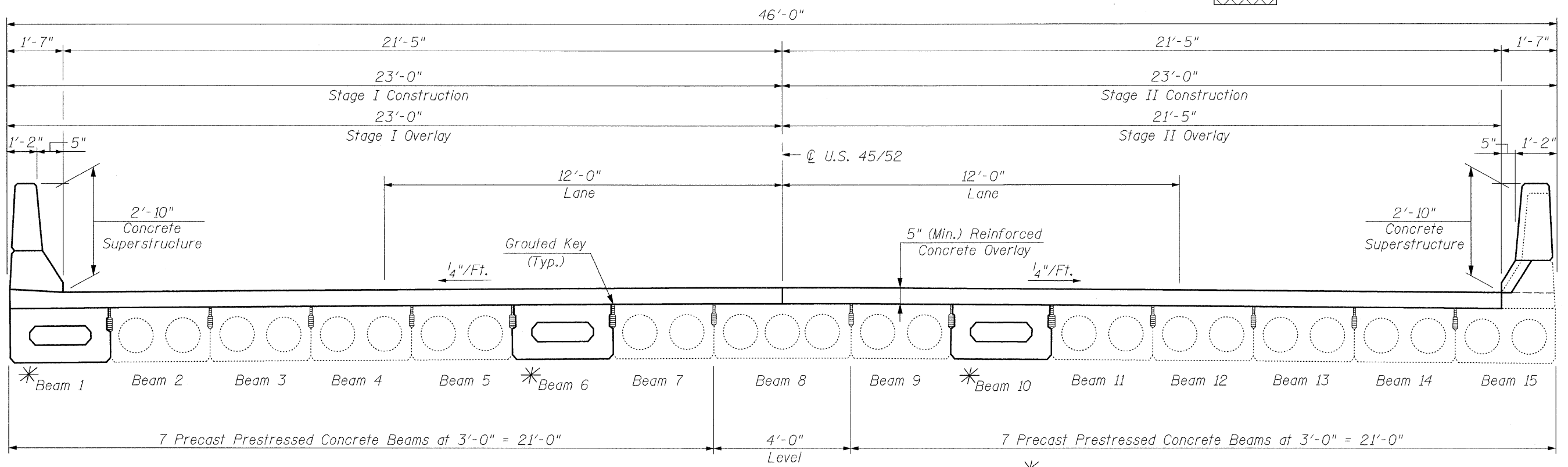


EXISTING DECK CROSS SECTION
(Looking North)

LEGEND:

- Concrete Removal
- P.P.C. Deck Beam Removal



PROPOSED DECK CROSS SECTION
(Looking North)

* Proposed Precast Prestressed Concrete Deck Beams (17" Depth)

NOTE:
For Construction Staging See Roadway Plans

CR & A
CHRISTIAN-ROGE & ASSOCIATES, INC.
ENGINEERS / PLANNERS / SURVEYORS
211 W. WACKER DRIVE CHICAGO, ILL. 60606
PHONE: (312)372-2023 FAX: (312)372-5274

FILE NAME = deck_cross_section.sht	USER NAME = IDOT	DESIGNED - B.N.S.	REVISED -	STATE OF ILLINOIS DEPARTMENT OF TRANSPORTATION	DECK CROSS SECTIONS U.S. 45 / 52 OVER SMALL STREAM			F.A.P. RTE. 330	SECTION 17 B-1-I-1	COUNTY WILL	TOTAL SHEETS 29	SHEET NO. 15
	PLOT SCALE = 50,0000' / IN.	DRAWN - D.L./R.E.S./F.M.	REVISED -		S.N. 099-0122			CONTRACT NO. 60D68				
	PLOT DATE = 7/7/2008	CHECKED - B.N.S. / J.C.N.	REVISED -		SCALE: SHEET NO. S3 OF S11 SHEETS STA. TO STA.			FED. ROAD DIST. NO. [ILLINOIS] FED. AID PROJECT				
		DATE - JULY 7, 2008	REVISED -									