

**INSIDE ELEVATION OF WEST PARAPET**  
(Looking West)

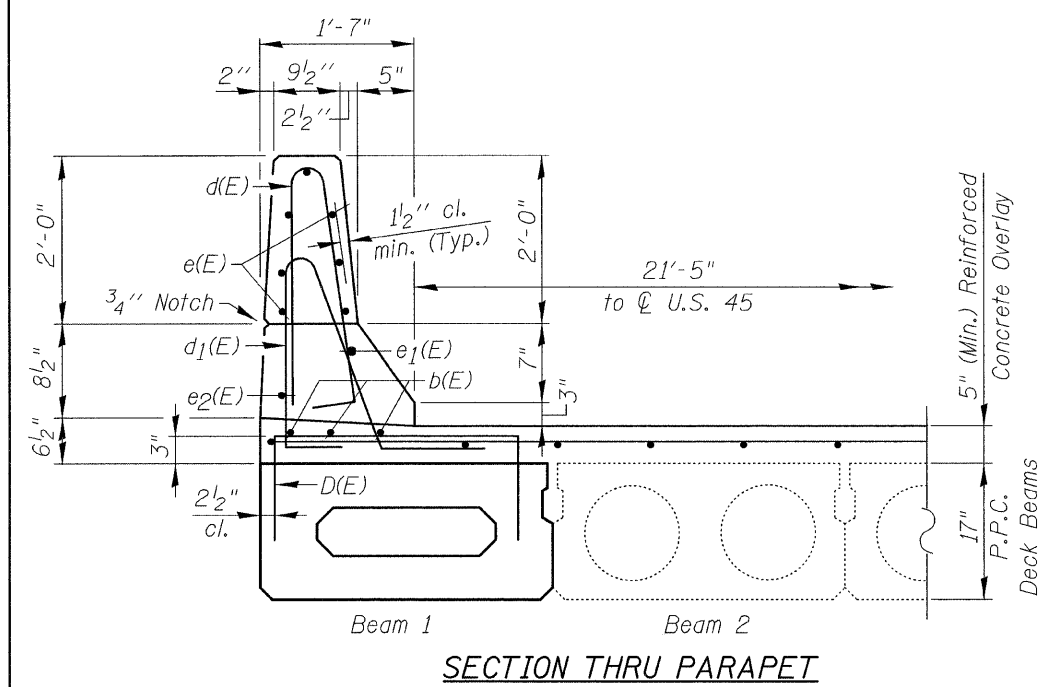
**MIN. LAP**  
(Parapet)  
#4 bar = 1'-8"  
#8 bar = 4'-6"

**BILL OF MATERIAL**

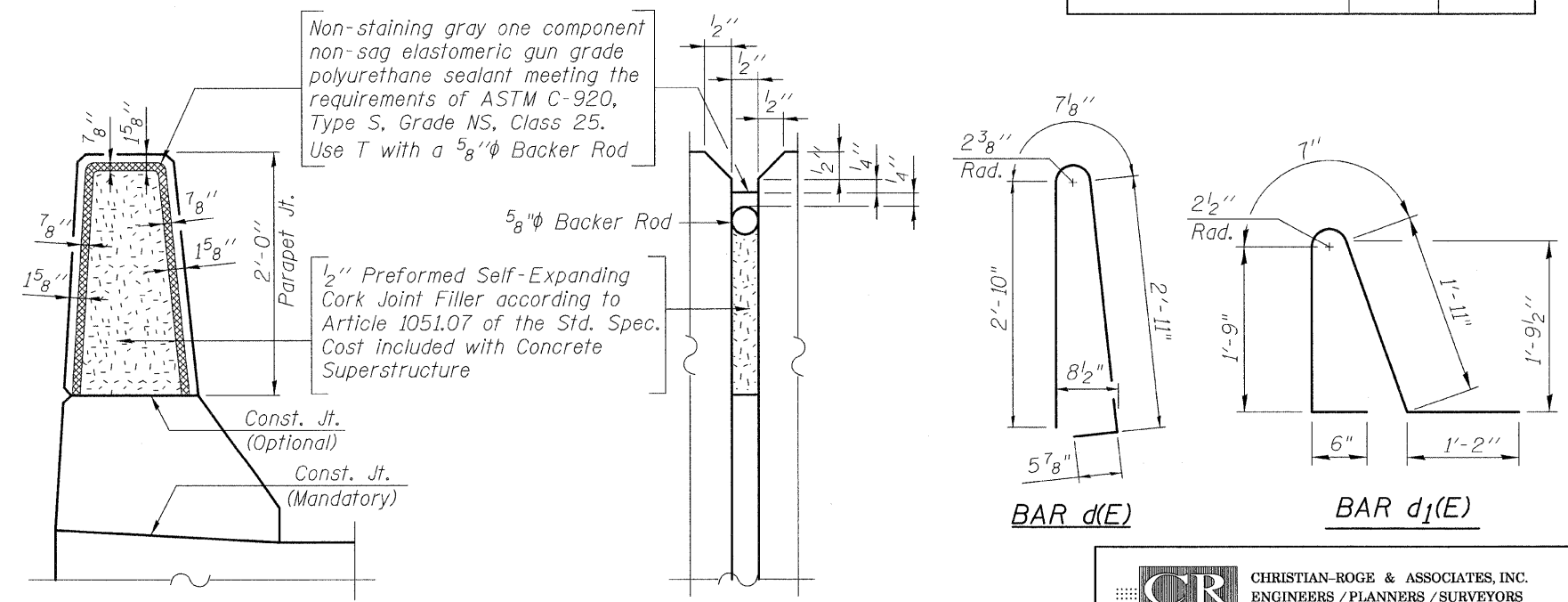
Bar	No.	Size	Length	Shape
d(E)	43	#5	6'-10"	∩
d1(E)	43	#5	5'-11"	∩
e(E)	14	#4	19'-0"	—
e1(E)	2	#8	21'-5"	—
e2(E)	2	#4	20'-0"	—
Concrete Superstructure			Cu. Yd.	5.3
Reinforcement Bars, Epoxy Coated			Pound	890
Concrete Removal			Cu. Yd.	3.7

**LEGEND:**  
I.F. = Inside Face  
O.F. = Outside Face

**NOTE:**  
Bars indicated thus 1x2-#8 etc., indicates 1 Line of Bars with 2 Lengths per Line



**SECTION THRU PARAPET**



**PARAPET JOINT DETAILS**

**CR & A** CHRISTIAN-ROGE & ASSOCIATES, INC.  
ENGINEERS / PLANNERS / SURVEYORS  
211 W. WACKER DRIVE CHICAGO, IL. 60606  
PHONE: (312)372-2023 FAX: (312)372-5274

FILE NAME = parapet_west_details.sht	USER NAME = IDOT	DESIGNED - B.N.S.	REVISED -	<b>STATE OF ILLINOIS DEPARTMENT OF TRANSPORTATION</b>	<b>WEST PARAPET ELEVATION &amp; DETAILS U.S. 45 / 52 OVER SMALL STREAM S.N. 099-0122</b>			F.A.P. RTE. 330	SECTION 17 B-1-1-1	COUNTY WILL	TOTAL SHEETS 29	SHEET NO. 17
PLOT SCALE = 500.00000 / IN.	CHECKED - B.N.S. / J.C.N.	REVISOR -	REVISOR -		SCALE:	SHEET NO. S5 OF S11 SHEETS	STA.	TO STA.	CONTRACT NO. 60668			
PLOT DATE = 7/7/2008	DATE - JULY 7, 2008	REVISOR -	REVISOR -		FED. ROAD DIST. NO. ILLINOIS FED. AID PROJECT							