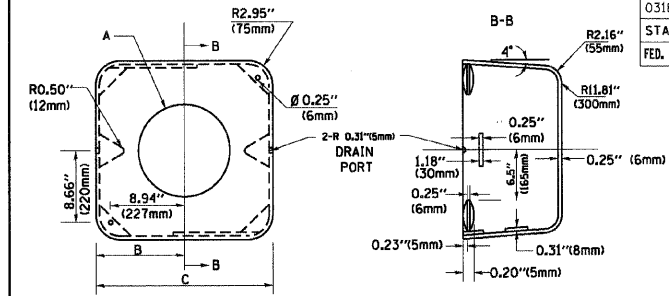


F.A. RTE.	SECTION	COUNTY	TOTAL SHEETS	SHEET NO.
031B	DB-1-R-B	WILL	40	22
STA.		TO STA.		
FED. ROAD DIST. NO.		ILLINOIS FED. AID PROJECT		

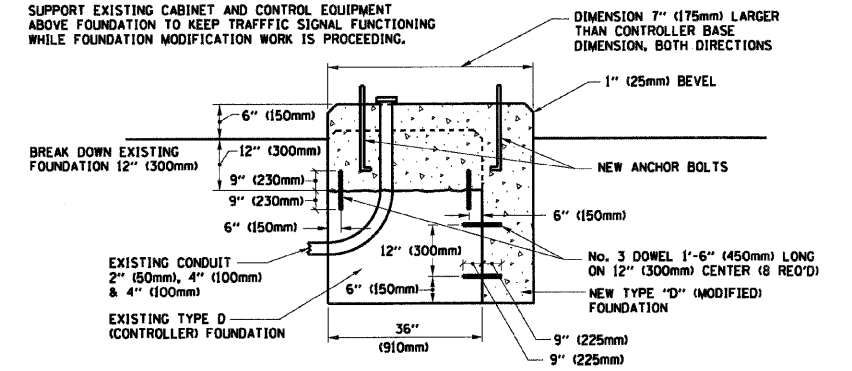
MATERIAL:  
 - ASTM A48 CLASS 30 GREY IRON  
 - ASTM A123 HOT DIPPED GALVANIZED



TYPE	A	B	C	HEIGHT	WEIGHT
I	∅ 10.125 (257mm)	9.5 (241mm)	19 (483mm)	12 (300mm)	24kg
II	∅ 11.125 (283mm)	10.75 (273mm)	21.5 (546mm)	12 (300mm)	26kg

SHROUD DETAIL

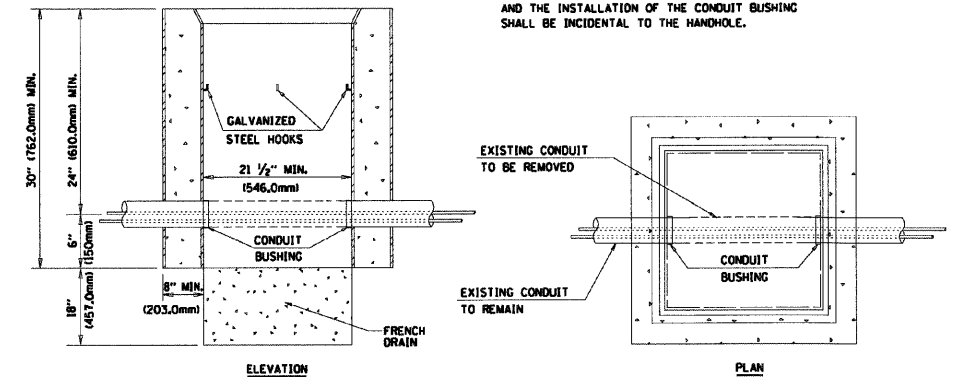
NOTE:  
 SUPPORT EXISTING CABINET AND CONTROL EQUIPMENT ABOVE FOUNDATION TO KEEP TRAFFIC SIGNAL FUNCTIONING WHILE FOUNDATION MODIFICATION WORK IS PROCEEDING.



MODIFY EXISTING TYPE "D" FOUNDATION

(NOT TO SCALE)

NOTES:  
 1. REMOVAL OF EXISTING CONDUIT FROM THE HANDHOLE AND THE INSTALLATION OF THE CONDUIT BUSHING SHALL BE INCIDENTAL TO THE HANDHOLE.



DETAIL  
 HANDHOLE TO INTERCEPT EXISTING CONDUIT  
 N.T.S.

REVISIONS	NAME	DATE
1	BUREAU OF TRAFFIC	5/30/00
2	BUREAU OF TRAFFIC	3/15/01
3	BUREAU OF TRAFFIC	11/12/01
4	BUREAU OF TRAFFIC	1-01-02

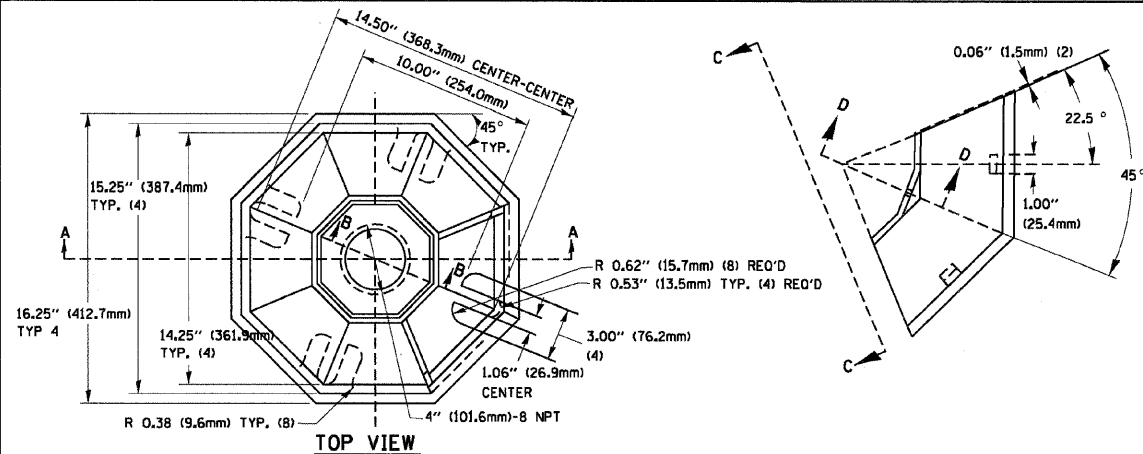
ILLINOIS DEPARTMENT OF TRANSPORTATION

DISTRICT ONE  
 STANDARD TRAFFIC SIGNAL  
 DESIGN DETAILS

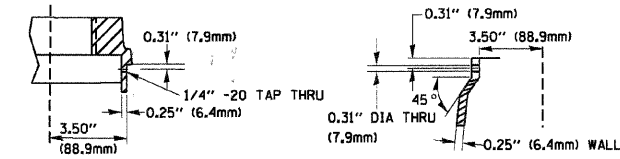
SCALE: NONE

DRAWN BY: RWP  
 DESIGNED BY: DAZ  
 CHECKED BY: DAZ  
 SHEET 4 OF 4

TS05

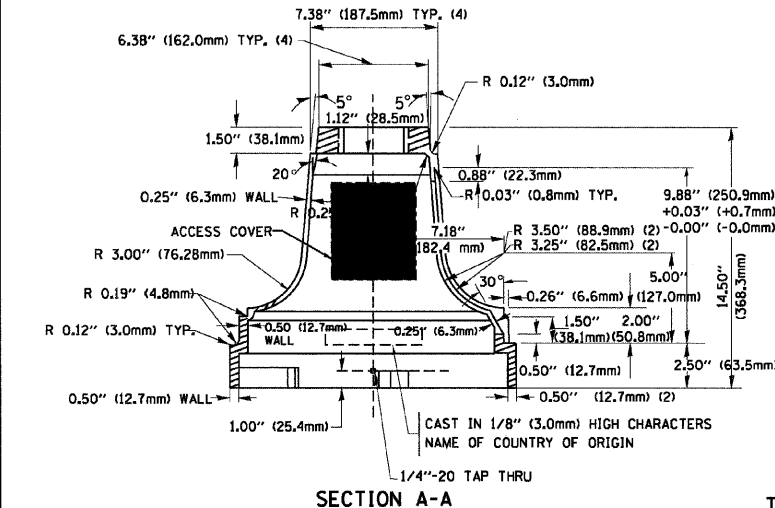


TOP VIEW

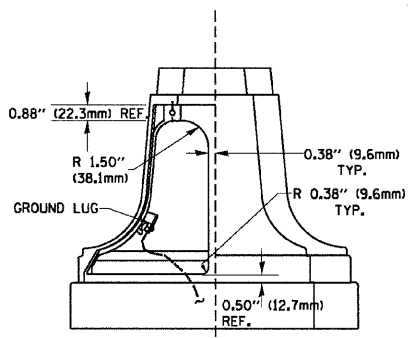


SECTION B-B

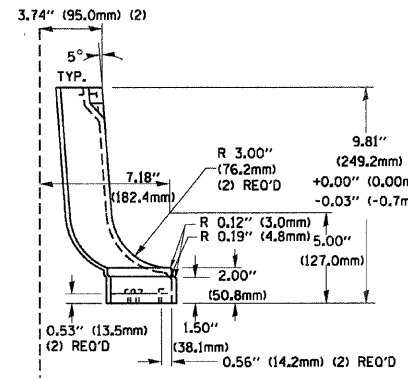
SECTION D-D



SECTION A-A



VIEW C-C

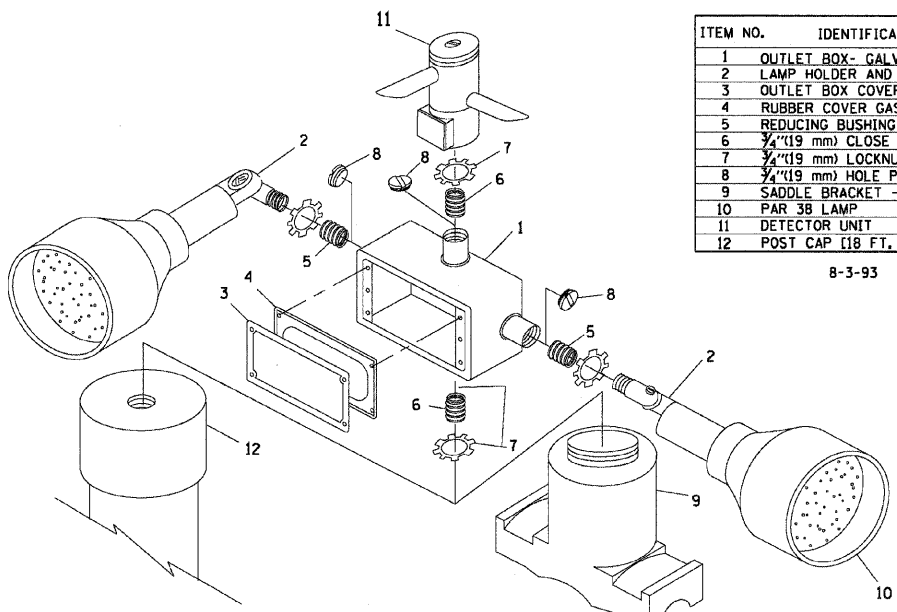


TRAFFIC SIGNAL POST - MOUNTING BASE - TYPE A

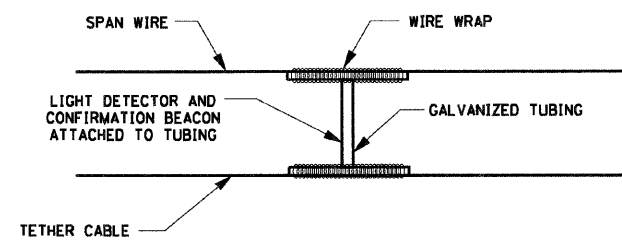
- NOTES:
- ALL ELECTRICAL ITEMS, EXCEPT ITEMS #2 AND #11 SHALL BE ALUMINUM OR GALVANIZED
  - ITEM #1- OZ/GEDNEY FSX-1-50 OR EQUIVALENT  
 ITEM #2- MULBERRY CON-O-SHADE LAMP SHIELD OR EQUIVALENT  
 ITEM #9- "BAND-IT" SADDLE BRACKET OR EQUIVALENT
  - WHEN POST MOUNTING IS SPECIFIED, ITEM #9 SHALL NOT BE REQUIRED. THE DETECTION UNIT SHALL BE MOUNTED DIRECTLY ON TOP OF THE CAP BY DRILLING AND TAPPING A 3/4 (19 mm) HOLE WITH PIPE THREADS. THE POST CAP SHALL EITHER BE SCREWED TO THE TOP OF THE POST OR A MINIMUM OF 3 TIGHTENING SCREWS SHALL BE REQUIRED ON EACH CAP.

ITEM NO.	IDENTIFICATION
1	OUTLET BOX- GALV. 21 CU.IN. (0.000344 CU-M)
2	LAMP HOLDER AND COVER
3	OUTLET BOX COVER
4	RUBBER COVER GASKET
5	REDUCING BUSHING
6	3/4 (19 mm) CLOSE NIPPLE
7	3/4 (19 mm) LOCKNUT
8	3/4 (19 mm) HOLE PLUG
9	SADDLE BRACKET - GALV.
10	PAR 38 LAMP
11	DETECTOR UNIT
12	POST CAP [18 FT. (5.4 m) POST MIN.]

8-3-93



POST CAP MOUNT  
 MAST ARM MOUNT  
 EMERGENCY VEHICLE DETECTOR WITH CONFIRMATION BEACON MOUNTING DETAIL



LIGHT DETECTOR AND  
 CONFIRMATION BEACON MOUNTING  
 FOR TEMPORARY TRAFFIC SIGNALS

(NOT TO SCALE)