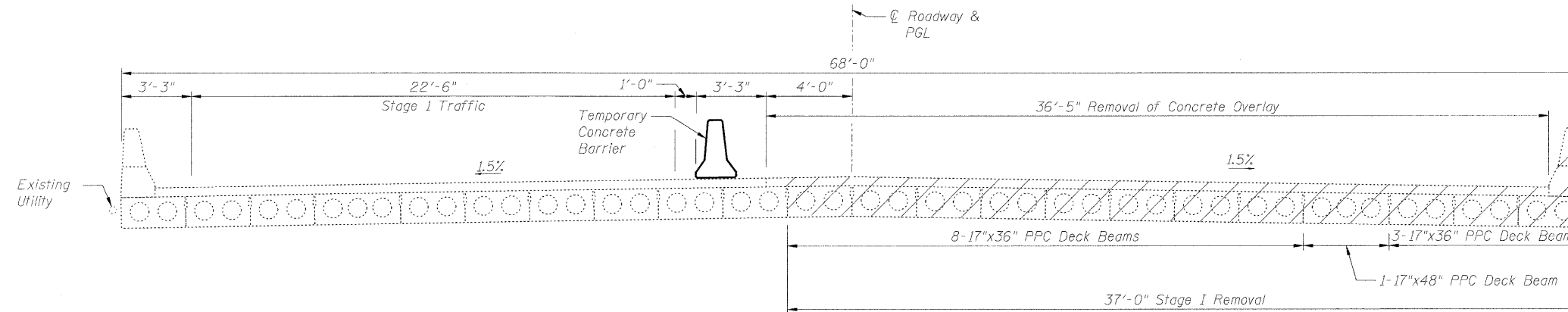
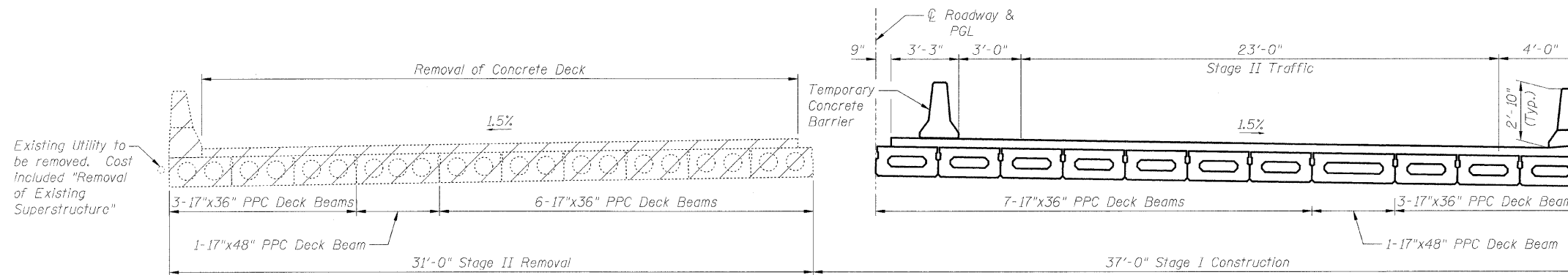


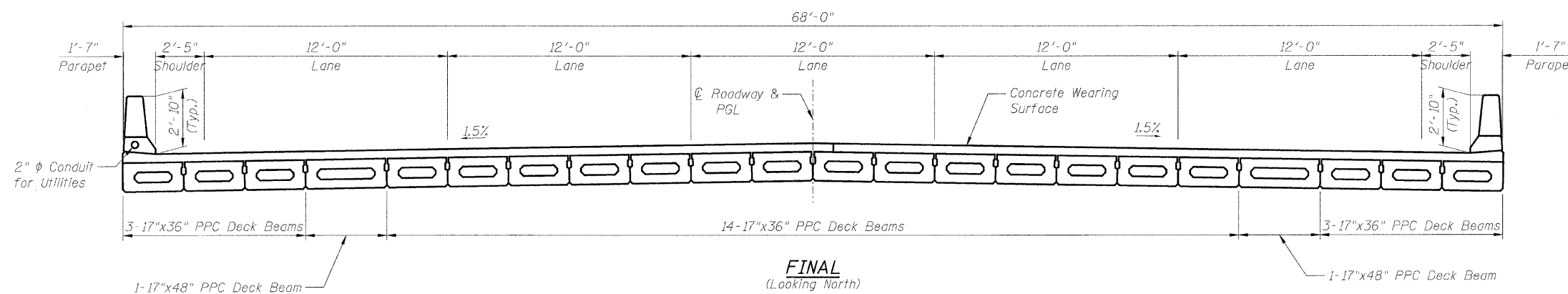
STATE OF ILLINOIS  
DEPARTMENT OF TRANSPORTATION



**STAGE I REMOVAL**  
(Looking North)



**STAGE I CONSTRUCTION & STAGE II REMOVAL**  
(Looking North)



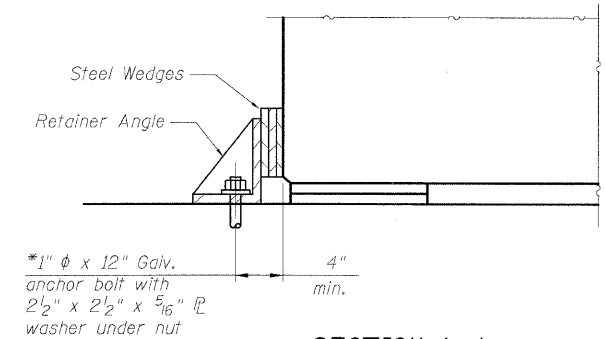
**FINAL**  
(Looking North)

**LEGEND:**

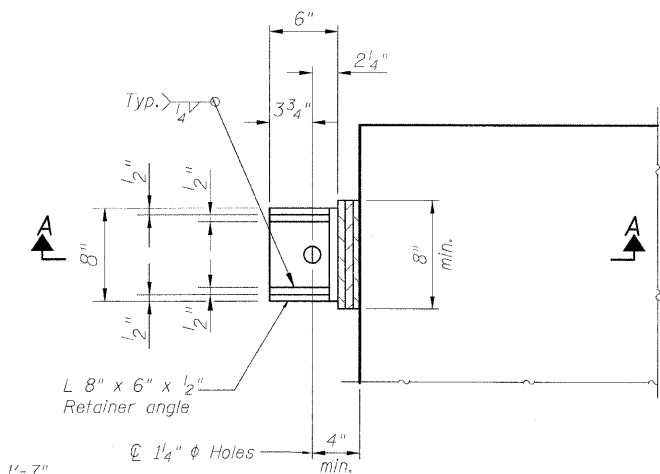
Removal of Existing Superstructure

**NOTES:**

- See Sheet S-3 for Temporary Concrete Barrier Details.
- The contractor is ultimately responsible for the means and methods to ensure the complete stability of the structural members during construction.
- Existing Bearing Removal to be paid for under "Asbestos Bearing Pad Removal".



**SECTION A-A**



**PLAN**

**TEMPORARY RETAINER ANGLE**

\* Retainer angles to be placed adjacent to center beams at South Abutment right after Stage I center beam is removed and after the new Stage I beams are installed. Retainer angles shall be removed right before installation of the new stage II beams. Cost of retainer and accessories are included with Precast Prestressed Concrete Deck Beams.

**STAGE CONSTRUCTION DETAILS  
US 6 (RAILROAD AVE.) OVER I & M CANAL**

STA. 112+00  
S.N. 099-0098

SHEET NO. S-2	F.A.U. RTE.	SECTION	COUNTY	TOTAL SHEETS	SHEET NO.
	0318	DB-1-R-B	WILL	40	24
S-14 SHEETS	CONTRACT NO. 60D88				
FED. ROAD DIST. NO.		ILLINOIS FED. AID PROJECT			

DESIGNED	B. Sauter
CHECKED	E. Mroczek
DRAWN	R. Danley
CHECKED	B. Sauter



**Ciorba Group, Inc.**  
CONSULTING ENGINEERS  
5507 North Cumberland Avenue, Suite 402 Chicago, Illinois 60656  
Tel. 773.775.4009 Fax 773.775.4014 Email chicago@ciorba.com

winchester

7/9/2008

nt:\pre\3329\3329\_24\design\structural\ced\ah\3329\_24\_02\_Stage Construction Details.sht