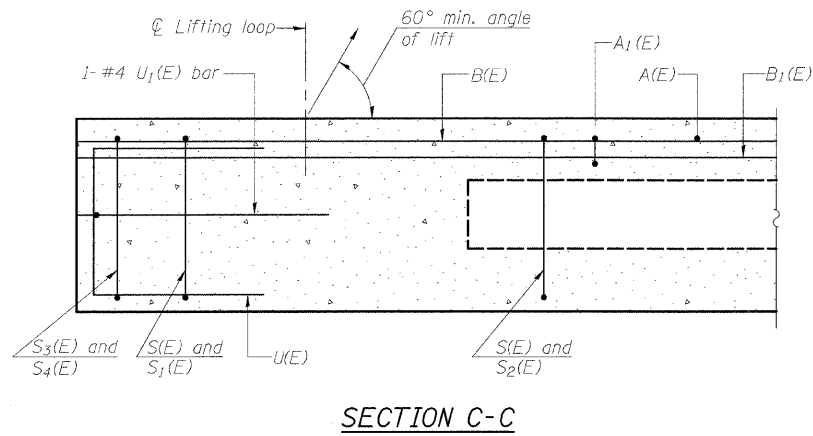
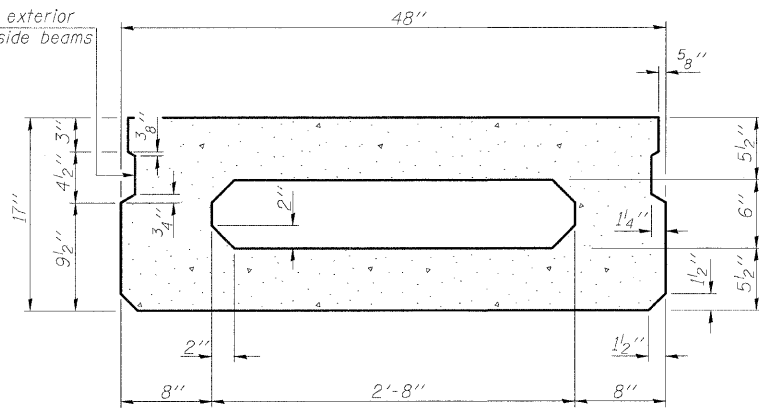


STATE OF ILLINOIS
DEPARTMENT OF TRANSPORTATION

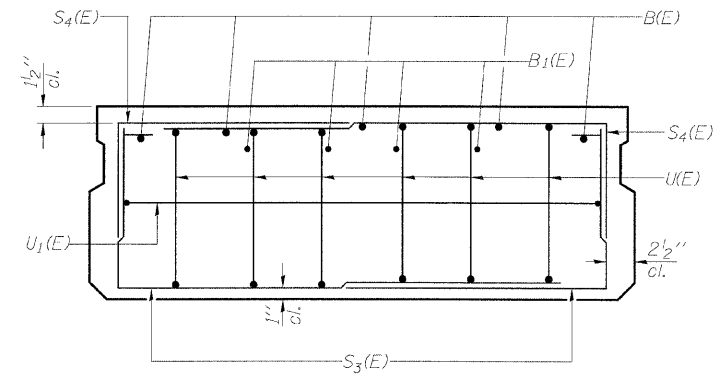


SECTION C-C

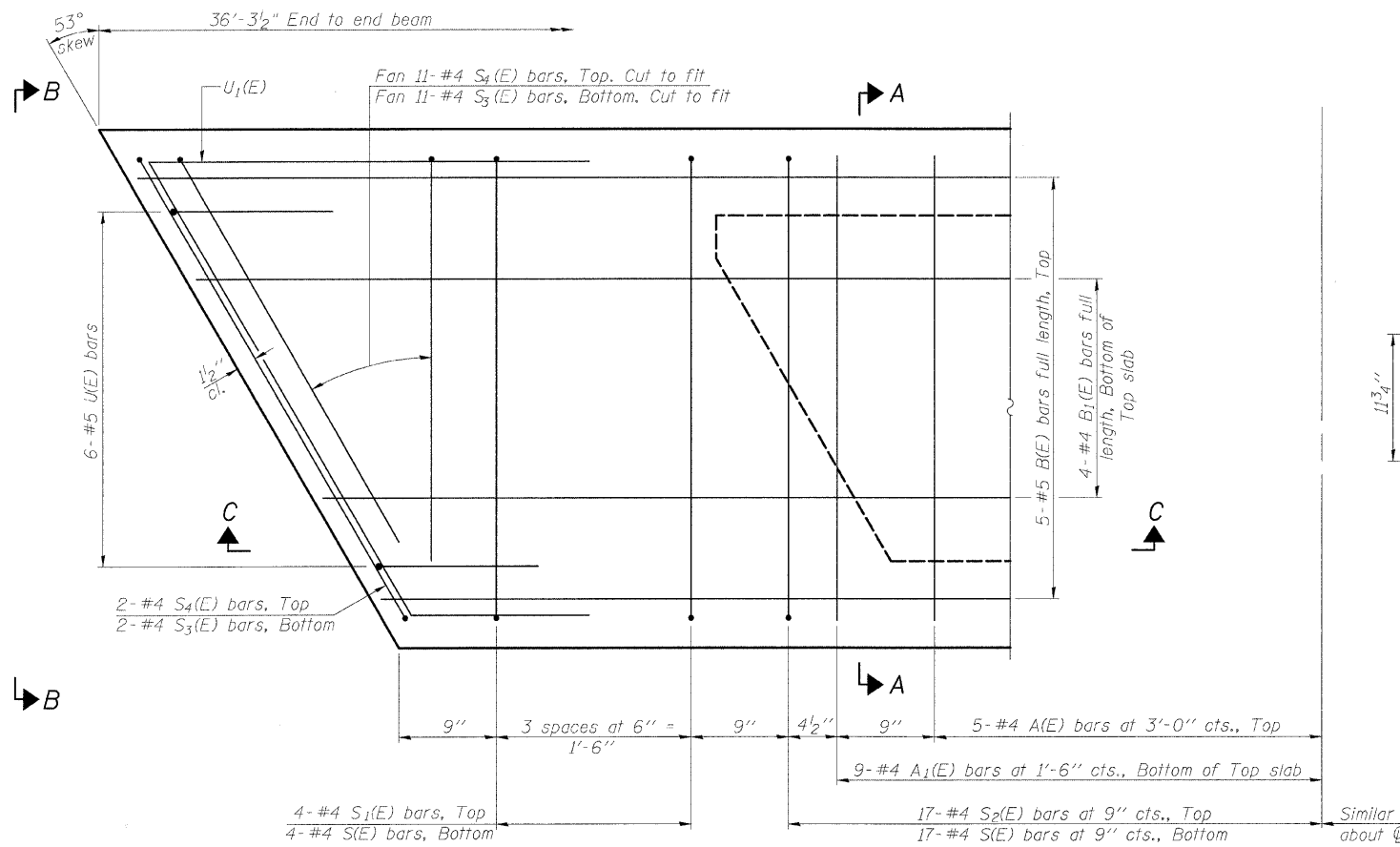
Omit key on exterior face of outside beams



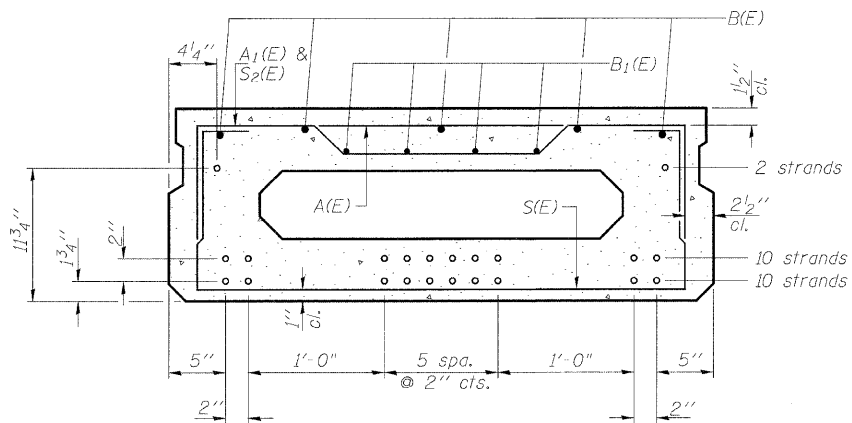
SECTION A-A
(Showing dimensions)



VIEW B-B



PLAN VIEW



SECTION A-A

(Showing reinforcement and permissible strand locations)

Note: Place the number of strands specified in each row symmetrically about the centerline of beam in the permissible strand locations shown.

BAR LIST
ONE BEAM ONLY
(For information only)

Bar	No.	Size	Length	Shape
A(E)	10	#4	3'-7"	—
A1(E)	18	#4	3'-10"	~
B(E)	4	#5	36'-0"	—
B1(E)	3	#4	36'-0"	—
S(E)	48	#4	6'-9"	U
S1(E)	8	#4	5'-3"	U
S2(F)	34	#4	5'-6"	U
S3(E)	26	#4	7'-4"	U
S4(E)	26	#4	6'-11"	U
U(E)	12	#5	3'-8"	U
U1(E)	2	#4	12'-11"	U

Note: See sheet S-7 for additional details and Bill of Material.

Note: Spacing of S(E) and S2(E) bars may be adjusted up to 4" in the immediate area of the transverse tie diaphragms to miss the block outs for the transverse ties.

DESIGNED	B. Sauter
CHECKED	E. Mroczek
DRAWN	R. Danley
CHECKED	B. Sauter



Ciorba Group, Inc.
CONSULTING ENGINEERS

5507 North Cumberland Avenue, Suite 402 Chicago, Illinois 60656
Tel. 773.775.4009 Fax 773.775.4014 Email chicago@ciorba.com

PD-1748-R 5-16-08

17" X 48" PCC DECK BEAM
US 6 (RAILROAD AVE.) OVER I & M CANAL
STA. 112+00
S.N. 099-0098

SHEET NO. S-6	F.A.U RTE.	SECTION	COUNTY	TOTAL SHEETS	SHEET NO.
	0318	DB-1-R-B	WILL	40	28
S-14 SHEETS	CONTRACT NO. 60D88				
FED. ROAD DIST. NO.		ILLINOIS FED. AID PROJECT			