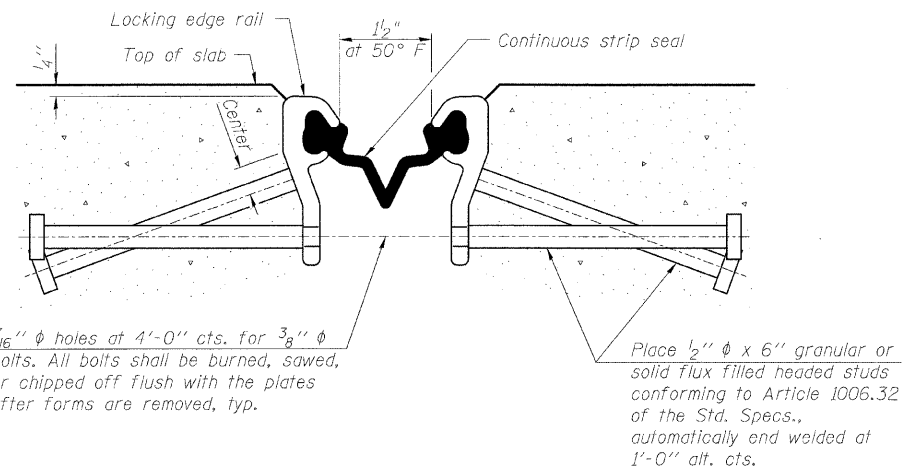
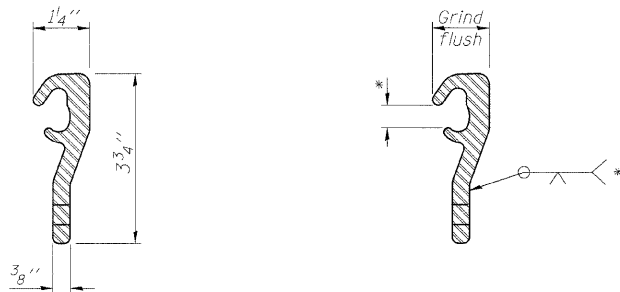


STATE OF ILLINOIS
DEPARTMENT OF TRANSPORTATION



**SECTION THRU STRIP SEAL JOINT
FOR OVERLAY OVER DECK BEAMS**

DETAIL A



LOCKING EDGE RAIL

LOCKING EDGE RAIL SPLICE

Notes:

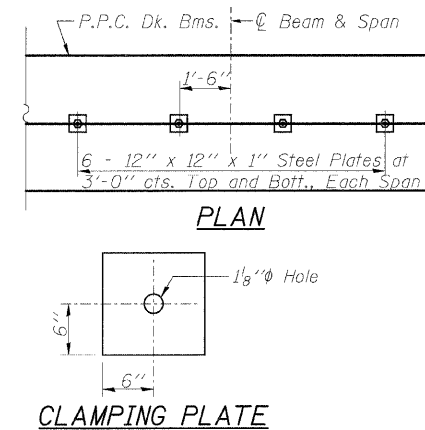
The strip seal shall be made continuous and shall have a minimum thickness of 1/4". The configuration of the strip seal shall match the configuration of the Locking Edge Rails.

The height and thickness of the Locking Edge Rails shown are minimum dimensions. The actual configuration of the Locking Edge Rails and matching strip seal may vary from manufacturer to manufacturer. Flanged edge rails will not be allowed.

The inside of the Locking Edge Rail groove shall be free of weld residue.

Locking Edge Rails may be spliced at slope discontinuities and stage construction joints.

The manufacturer's recommended installation methods shall be followed.

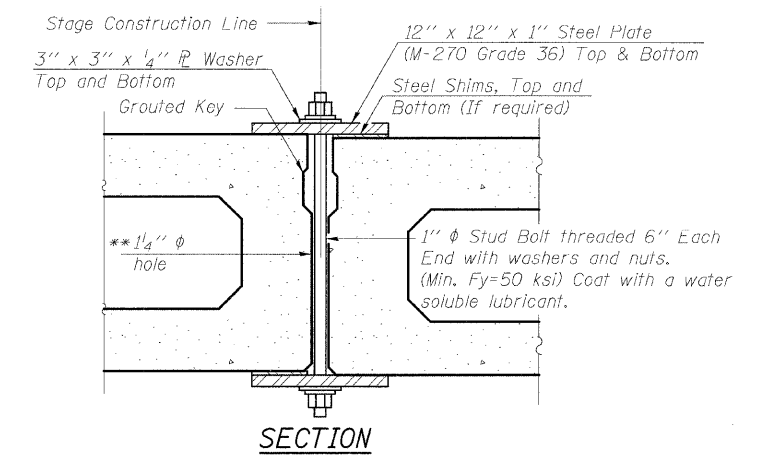


SHEAR KEY CLAMPING DETAILS AT STAGE CONST. JT.

Cost included with Precast Prestressed Concrete Deck Beams.
See Stage Construction Details for traffic lanes.

** The fabricator shall cast 2" diameter semi-circular recesses in the sides of each beam adjacent to the stage construction line. These recesses should align to form a hole at the appropriate locations for the clamping device bolts. The Contractor shall show the details on the shop drawings.

Note: For Bill of Materials see Sheet S-10.



SUPERSTRUCTURE DETAILS 2
US 6 (RAILROAD AVE.) OVER I & M CANAL
STA. 112+00
S.N. 099-0098

SHEET NO. S-9	F.A.U RTE.	SECTION	COUNTY	TOTAL SHEETS	SHEET NO.
	0318	DB-1-R-B	WILL	40	31
S-14 SHEETS	CONTRACT NO. 60D88				
FED. ROAD DIST. NO.		ILLINOIS FED. AID PROJECT			

DESIGNED	B. Sauter
CHECKED	E. Mroczek
DRAWN	R. Danley
CHECKED	B. Sauter



Giorba Group, Inc.
CONSULTING ENGINEERS
5507 North Cumberland Avenue, Suite 402 Chicago, Illinois 60656
Tel. 773.775.4009 Fax 773.775.4014 Email chicago@giorba.com

wlancaaster

7/9/2008

nt:\pre\3329\3329_24\design\structure\conf\sh1\3329_24_09_Superstructure_Details_2.dwg