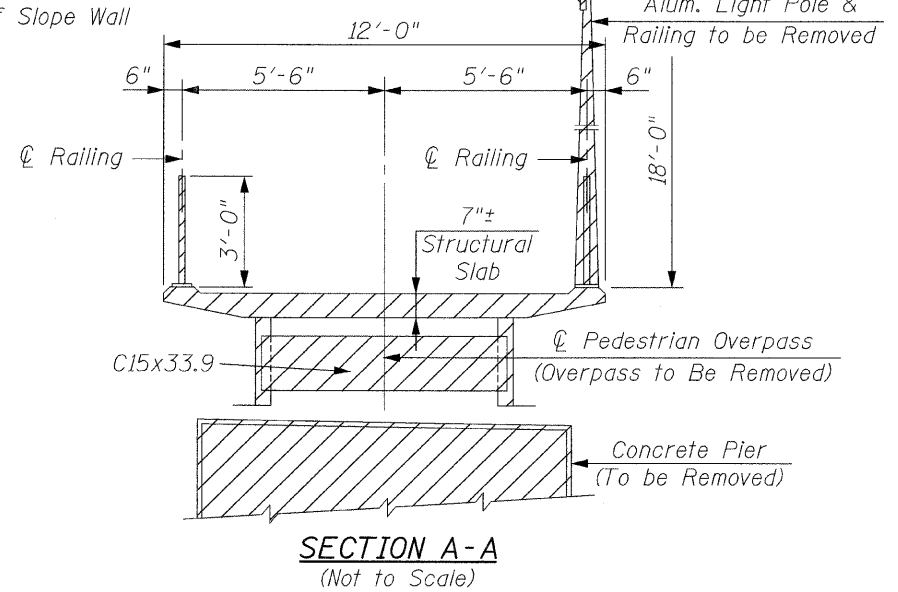


\* Bill of Material indicate Quantities that were use to Construct the Pedestrian Overpass

**\*BILL OF MATERIAL**

Item	Unit	Total
Furnishing Structural Steel	Lbs.	29,000
Erecting Structural Steel	Lbs.	29,000
Pipe Handrail	L.F.	340
Cast Iron Water Pipe, 8" Dia.	L.F.	68
Class "A" Excavation for Structures	Cu. Yd.	150
Class "X" Concrete	Cu. Yd.	200
Reinforcement Bars	Lbs.	26,000
Cast Iron Water Pipe, 4" Dia.	L.F.	80
Lighting	L.S.	1



**GENERAL NOTES:**

Detail Demolition Plans for work to be Performed over I-90 and both the UP RR Right of Way and the C.T.A. Right of Way, shall be submitted to the C.T.A., to UP RR and the Engineer for their review and approval. The Demolition Plans shall comply with both UP RR and C.T.A. requirements and shall include Detailed Plans for the Protective Shield System prepared by a Licensed Structural Engineer in Illinois. Refer to the Special Provision, Removal of Existing Structures, for additional requirements.

**SCOPE OF WORK:**

- Remove the entire Pedestrian Overpass including Bridge Spans and Concrete Staircase.
- Remove the two (2) Chicago Light Poles that are mounted on the Structure.
- Remove Pier No's. 1 & 2 flush with the adjacent Retaining Wall and Median Barrier Wall.
- Remove the Stair Pier and Landing Footing to 2'-0" below the existing Grade.

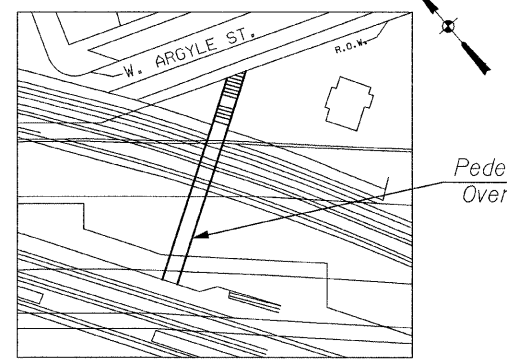
**THIS DRAWING WAS TAKEN FROM EXISTING PLANS AND IS FOR INFORMATION ONLY**

**BILL OF MATERIAL**

Item	Unit	Total
Removal of Existing Structures	Each	1
Protective Shield	Sq. Yd.	78
Structural Repair of Concrete (Depth Greater than 5 in.)	Sq. Ft.	106

**LEGEND:**

- Structure to be Removed
- Structural Repair of Concrete (Depth Greater than 5 in.)



FILE NAME = general_plan-elevation.dgn	USER NAME = IDOT	DESIGNED - B.N.S.	REVISED -
		DRAWN - R.E.S. / F.M.	REVISED -
		CHECKED - B.N.S. / S.J.P.	REVISED -
		DATE - JULY 15, 2008	REVISED -

STATE OF ILLINOIS  
DEPARTMENT OF TRANSPORTATION

GENERAL PLAN & ELEVATION  
OVER C.T.A. TRACKS & W.B. I-90  
LONG AVENUE PEDESTRIAN OVERPASS

SCALE: SHEET NO. S2 OF S5 SHEETS STA. TO STA.

F.A.I. RTE. 90	SECTION 2008-02T DM	COUNTY COOK	TOTAL SHEETS 10	SHEET NO. 6
FED. ROAD DIST. NO. 1 (ILLINOIS) FED. AID PROJECT				CONTRACT NO. 60E58



CHRISTIAN-ROGE & ASSOCIATES, INC.  
ENGINEERS / PLANNERS / SURVEYORS  
211 W. WACKER DRIVE CHICAGO, IL 60606  
PHONE: (312)372-2023 FAX: (312)372-5274