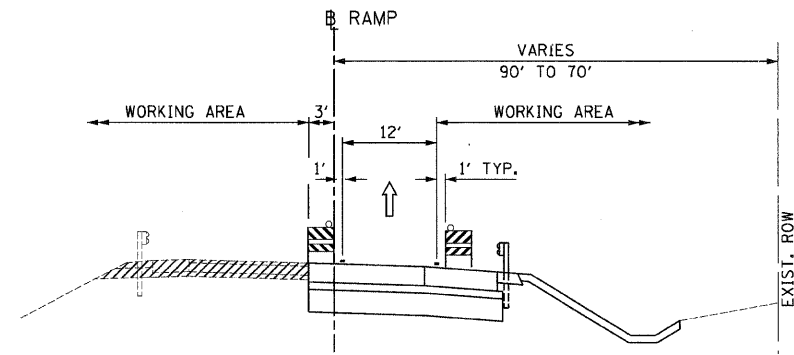
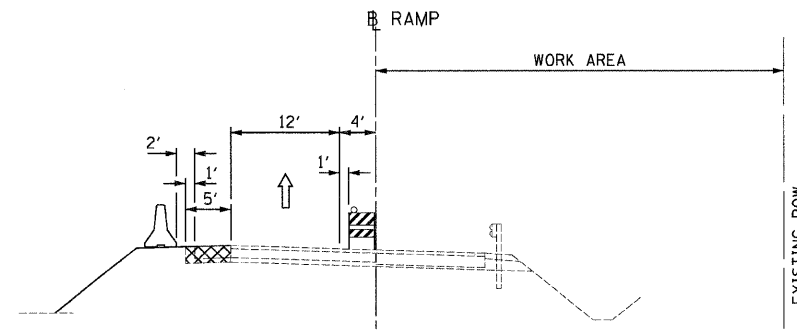


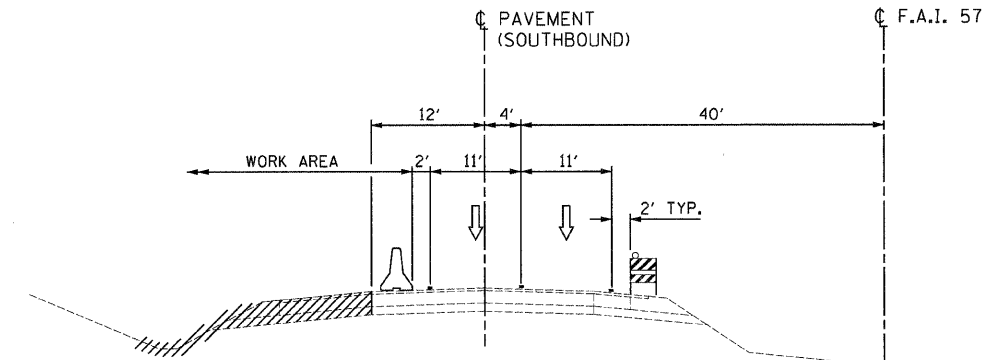
F.A.I. RTE.	SECTION	COUNTY	TOTAL SHEETS	SHEET NO.
57	*	WILL	303	46
STA.	TO STA.			
FED. ROAD DIST. NO.	ILLINOIS	FED. AID PROJECT		
991820 R-389-1HB-1-BR-2		CONTRACT: 62253		



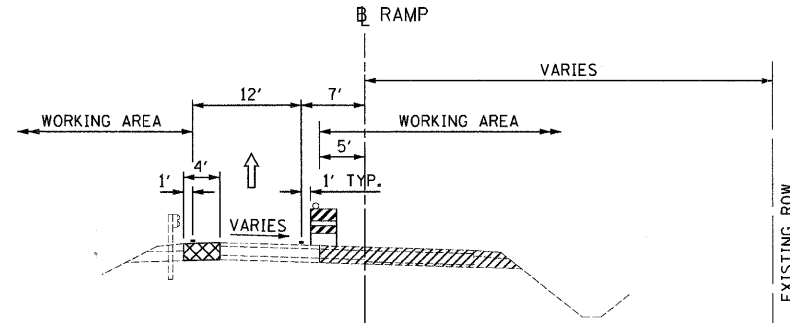
RAMP B  
STAGE I SUBSTAGE B  
SECTION I-I



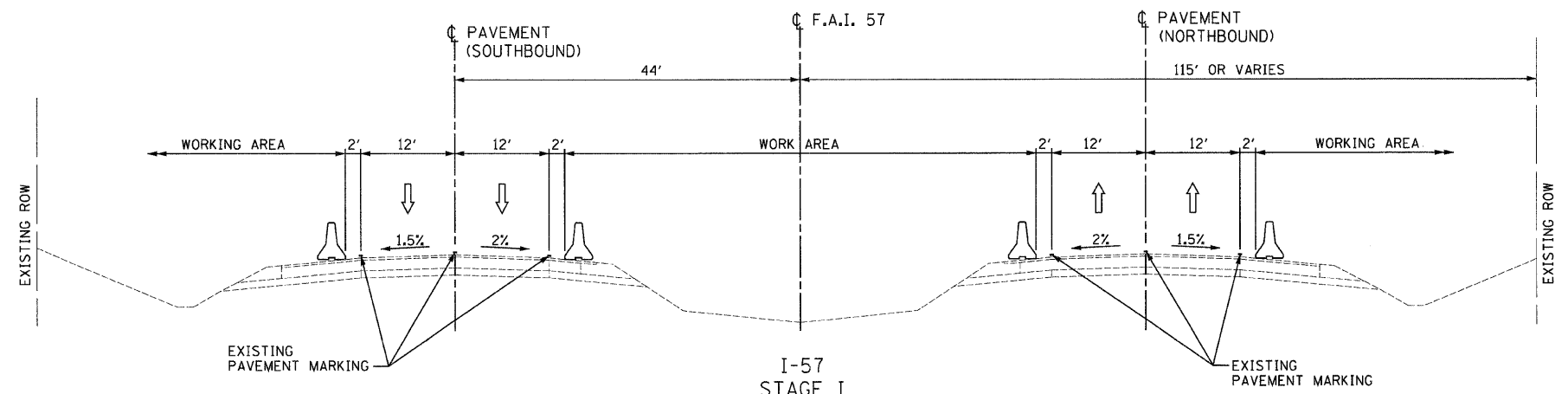
RAMP D  
STAGE I  
SECTION L-L



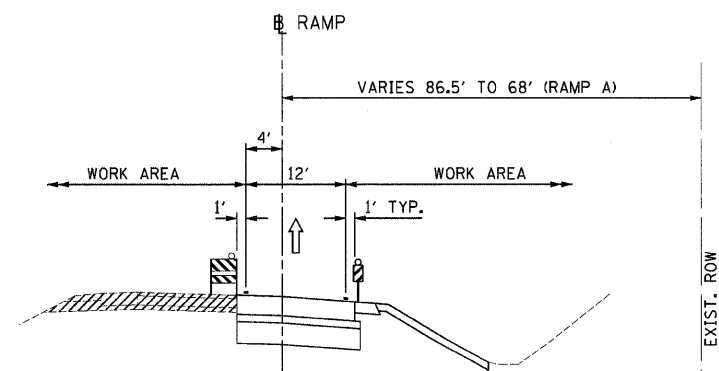
I-57  
STAGE I  
SECTION O-O



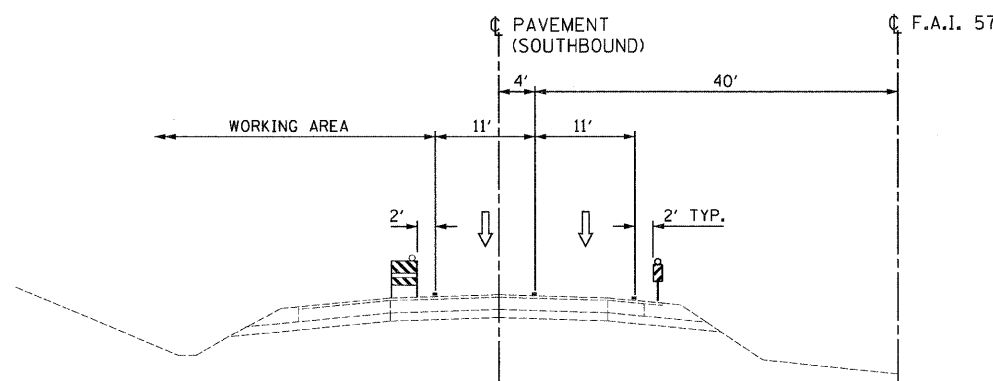
RAMP C  
STAGE I SUBSTAGE A  
SECTION J-J



I-57  
STAGE I  
SECTION M-M



RAMP C  
STAGE I SUBSTAGE B  
SECTION K-K



I-57  
STAGE I  
SECTION N-N

LEGEND

- PAVEMENT CONSTRUCTION
- TEMPORARY PAVEMENT
- TEMPORARY PAVEMENT MARKING TYPE, COLOR, AND SIZE ARE SHOWN ON STAGING PLAN SHEETS

REVISIONS	
NAME	DATE

ILLINOIS DEPARTMENT OF TRANSPORTATION  
I-57 AT MANHATTAN - MONEE ROAD  
SUGGESTED STAGES OF CONSTRUCTION  
AND  
TRAFFIC CONTROL  
TYPICAL SECTIONS  
STAGE I

SCALE: VERT. NTS  
HORIZ. NTS  
DATE 9/19/2008  
DRAWN BY KLM  
CHECKED BY TMW

**Clark Dietz**  
ENGINEERS

DESIGN FIRM REGISTRATION  
No. 184-000450  
118 SOUTH CLINTON STREET  
SUITE 800  
CHICAGO, IL 60661  
PHONE : 312.648.8900  
FAX : 312.648.0204