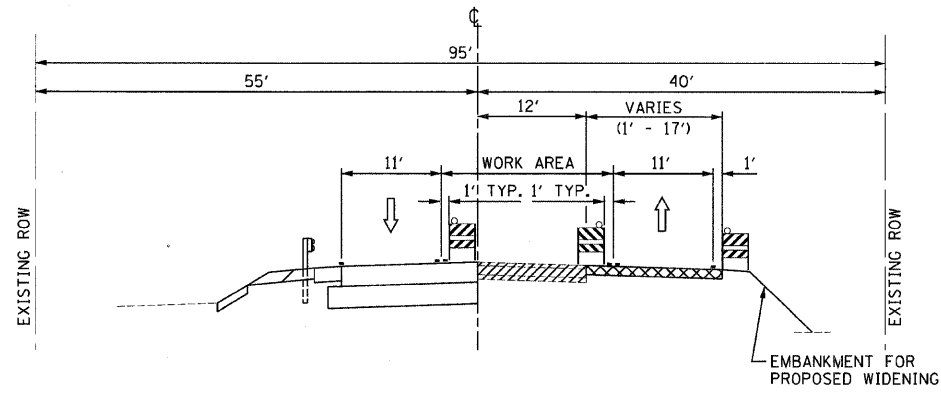
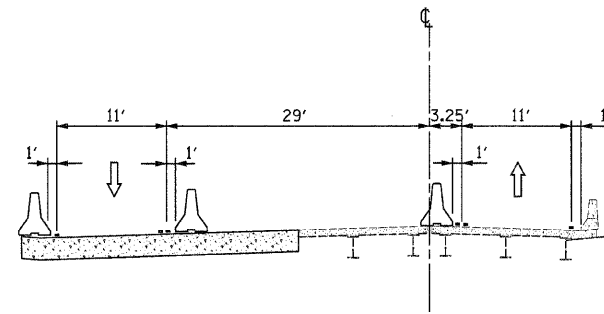


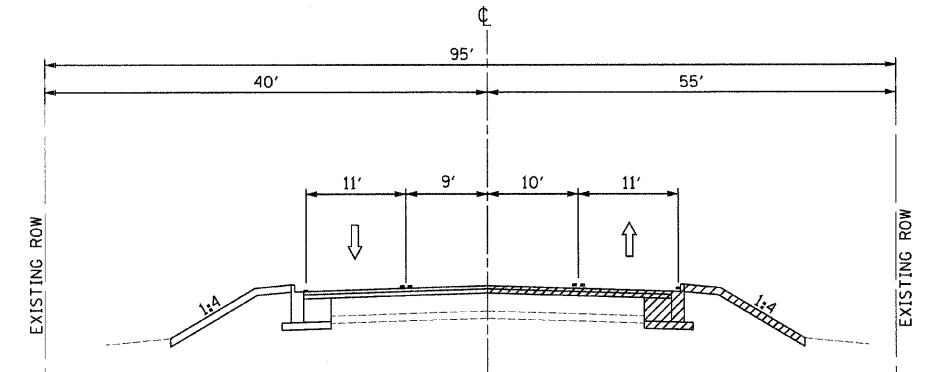
F.A.I. RTE.	SECTION	COUNTY	TOTAL SHEETS	SHEET NO.
57		WILL	303	48
STA.		TO STA.		
FED. ROAD DIST. NO.	ILLINOIS	FED. AID PROJECT		
9901621 R-389-110-1-BR-2		CONTRACT: 62253		



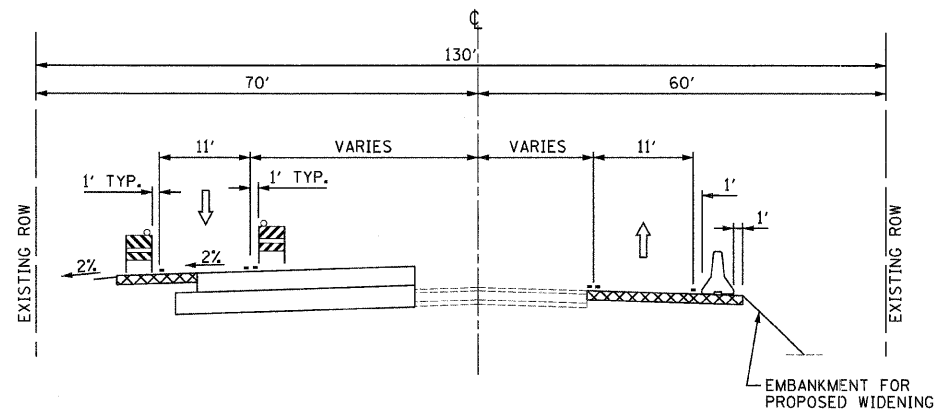
MANHATTAN-MONEE ROAD
STAGE II SUBSTAGE A
SECTION A-A



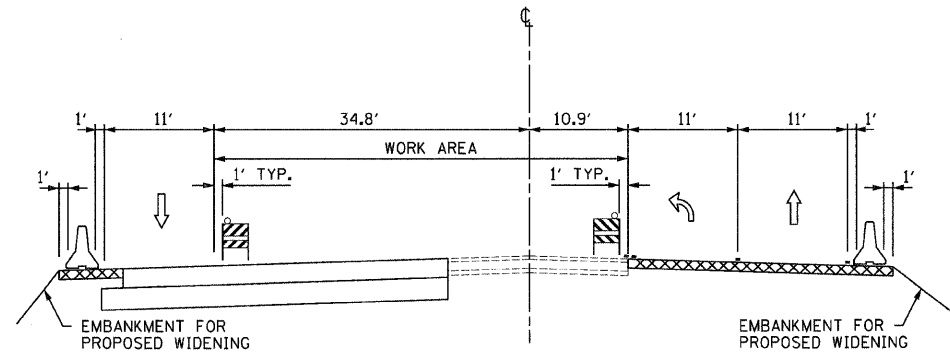
MANHATTAN-MONEE ROAD
STAGE II SUBSTAGE A
SECTION D-D



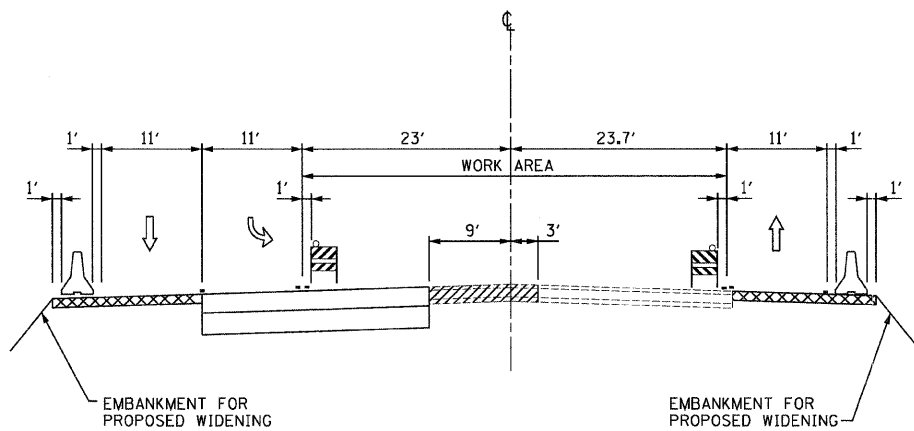
MANHATTAN-MONEE ROAD
STAGE II SUBSTAGE A
SECTION G-G



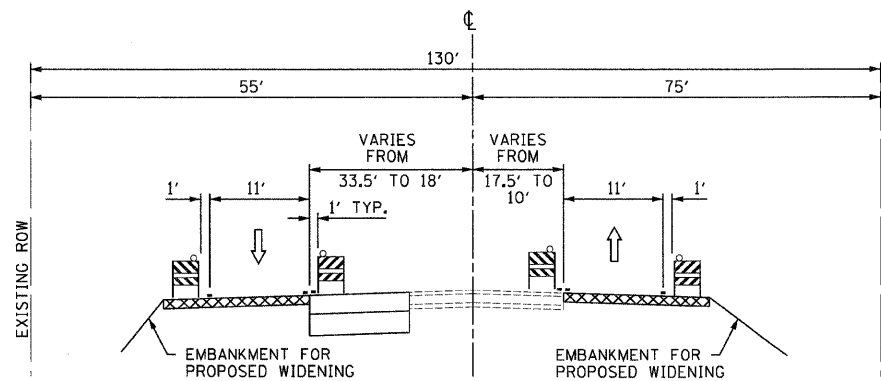
MANHATTAN-MONEE ROAD
STAGE II SUBSTAGE A
SECTION B-B



MANHATTAN-MONEE ROAD
STAGE II SUBSTAGE A
SECTION E-E



MANHATTAN-MONEE ROAD
STAGE II SUBSTAGE A
SECTION C-C



MANHATTAN-MONEE ROAD
STAGE II SUBSTAGE A
SECTION F-F

LEGEND

	PAVEMENT CONSTRUCTION	-	TEMPORARY PAVEMENT MARKING TYPE, COLOR, AND SIZE ARE SHOWN ON STAGING PLAN SHEETS
	TEMPORARY PAVEMENT		

REVISIONS	
NAME	DATE

ILLINOIS DEPARTMENT OF TRANSPORTATION
I-57 AT MANHATTAN - MONEE ROAD
SUGGESTED STAGES OF CONSTRUCTION
AND
TRAFFIC CONTROL
TYPICAL SECTIONS
STAGE II SUBSTAGE A

SCALE: VERT. NTS
HORIZ. NTS
DATE 9/19/2008

DRAWN BY KLM
CHECKED BY TMW

Clark Dietz
ENGINEERS

DESIGN FIRM REGISTRATION
No. 184-000450
118 SOUTH CLINTON STREET
SUITE 600
CHICAGO, IL 60681
PHONE : 312.648.9900
FAX : 312.648.0204

p:\022231\pl\anna\shasta\102231CSST02015.dgn
8/17/2008