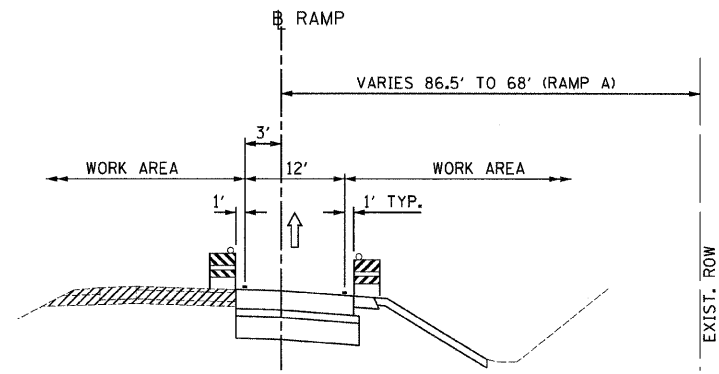
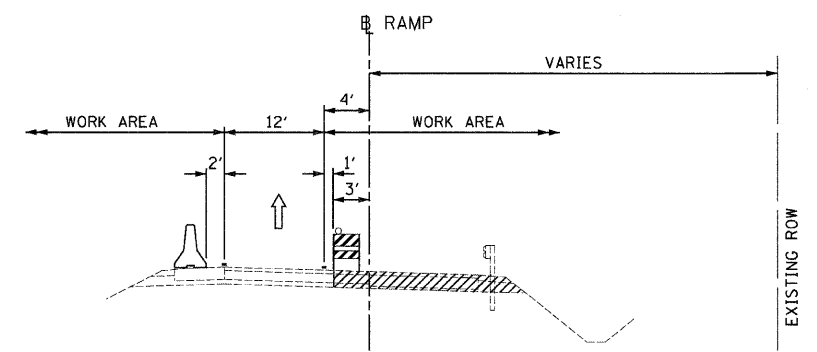


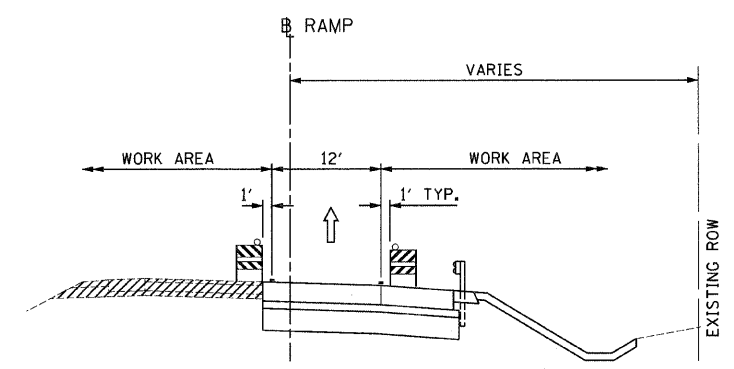
F.A.I. RTE.	SECTION	COUNTY	TOTAL SHEETS	SHEET NO.
57	*	WILL	303	56
STA.		TO STA.		
FED. ROAD DIST. NO.		ILLINOIS	FED. AID PROJECT	
*99162) R-389-11B-1-BR-2		CONTRACT: 62253		



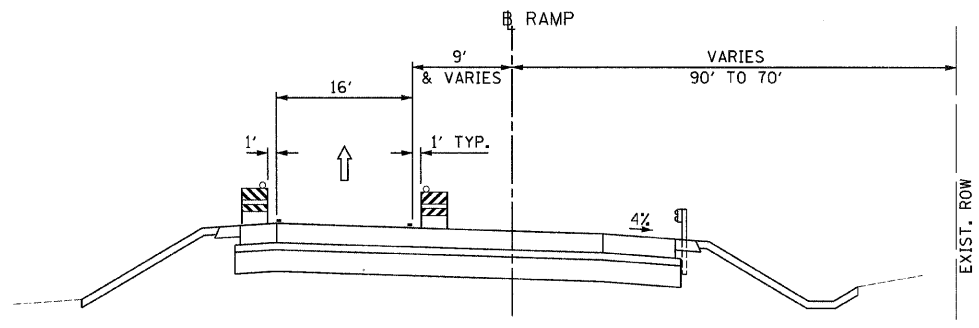
RAMP A  
STAGE II SUBSTAGE C  
SECTION I-I



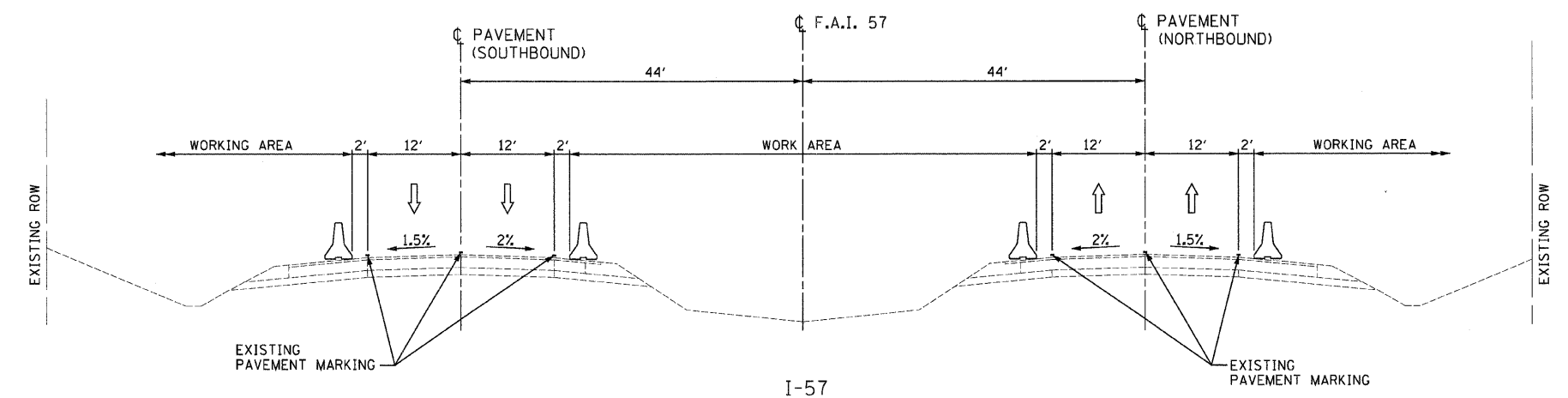
RAMP D  
STAGE II SUBSTAGE B  
SECTION L-L



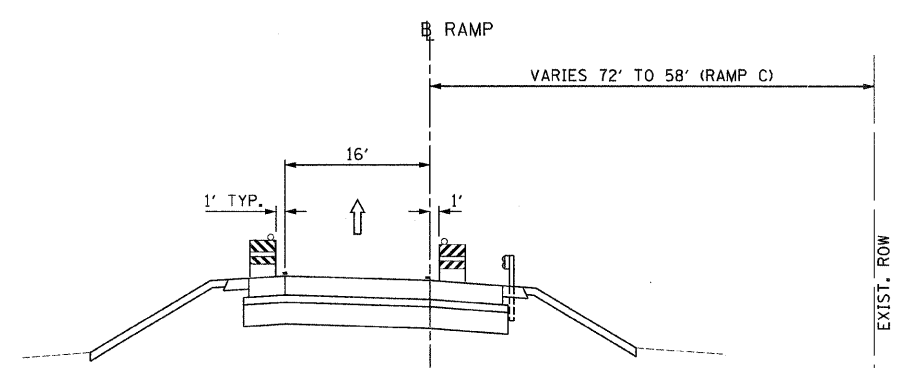
RAMP D  
STAGE II SUBSTAGE C  
SECTION M-M



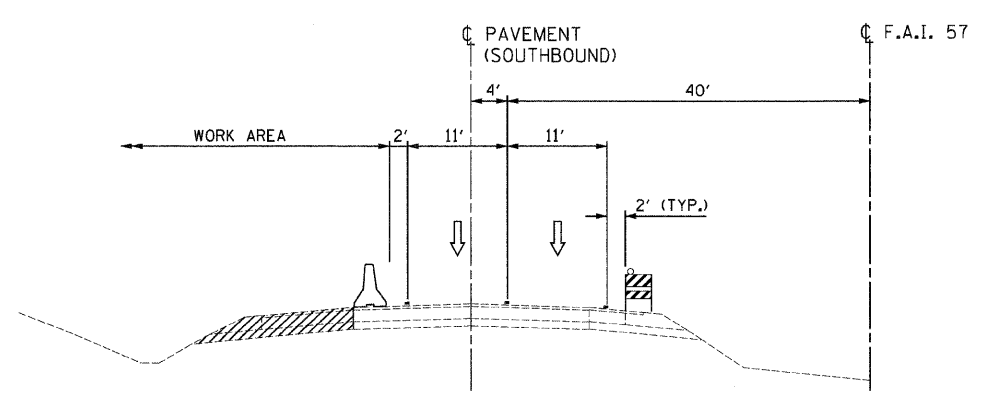
RAMP B  
STAGE II SUBSTAGE B  
SECTION J-J



I-57  
STAGE II  
SECTION N-N



RAMP C  
STAGE II SUBSTAGE B  
SECTION K-K



I-57  
STAGE II  
SECTION O-O

**LEGEND**

	PAVEMENT CONSTRUCTION		TEMPORARY PAVEMENT MARKING
	TEMPORARY PAVEMENT	TYPE, COLOR, AND SIZE ARE SHOWN ON STAGING PLAN SHEETS	

REVISIONS	
NAME	DATE

ILLINOIS DEPARTMENT OF TRANSPORTATION  
I-57 AT MANHATTAN - MONEE ROAD  
SUGGESTED STAGES OF CONSTRUCTION  
AND  
TRAFFIC CONTROL  
TYPICAL SECTIONS  
STAGE II

SCALE: VERT. NTS  
HORIZ. NTS  
DATE 9/19/2008

DRAWN BY KLM  
CHECKED BY TMW

**Clark Dietz**  
ENGINEERS

DESIGN FIRM REGISTRATION  
No. 184-000450  
118 SOUTH CLINTON STREET  
SUITE 600  
CHICAGO, IL 60661  
PHONE : 312.648.9900  
FAX : 312.648.0204

p:\02231\p\lans\sheeta\102231\SSST0202.dgn  
 8/17/2008