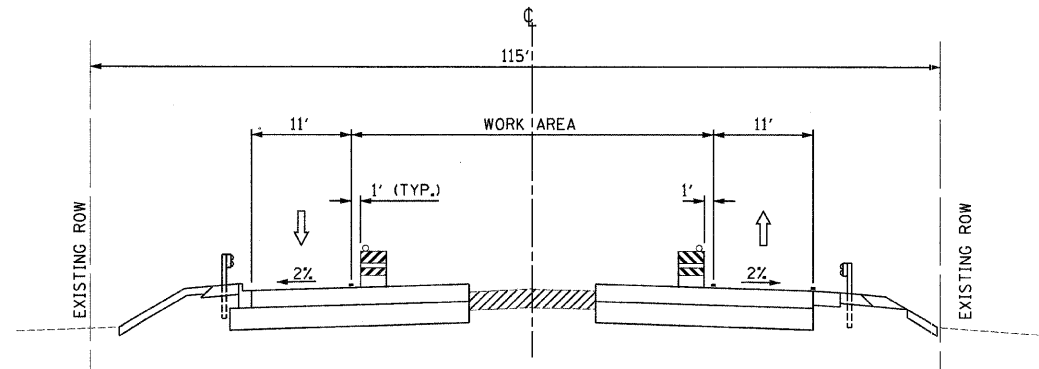
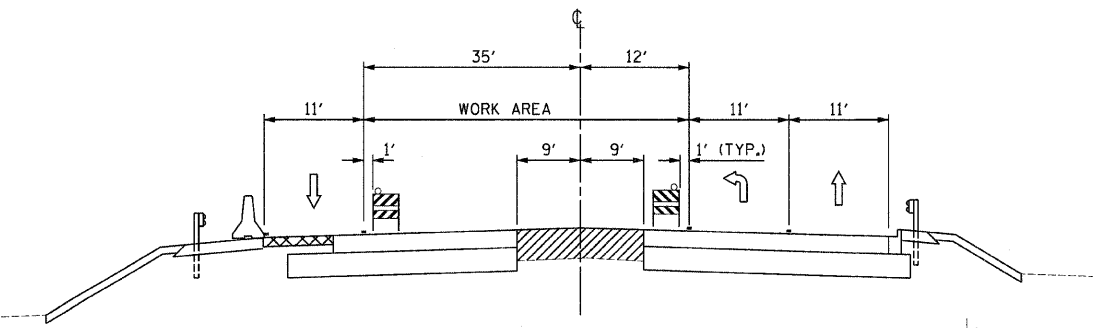


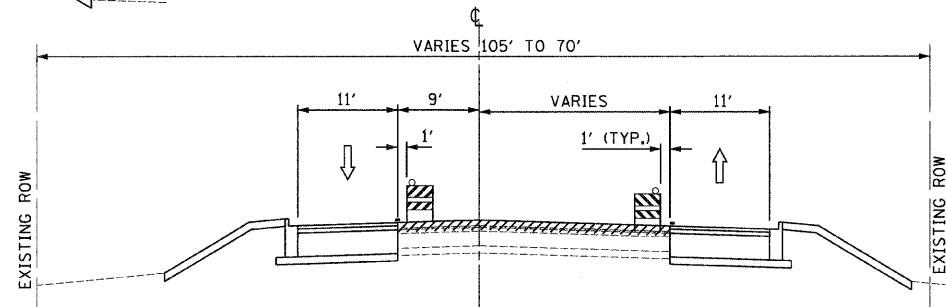
F.A.I. RTE.	SECTION	COUNTY	TOTAL SHEETS	SHEET NO.
57	•	WILL	303	59
STA.		TO STA.		
FED. ROAD DIST. NO.		ILLINOIS	FED. AID PROJECT	
+9911&2) R-3&9-11B-1-BR-2		CONTRACT: 62253		



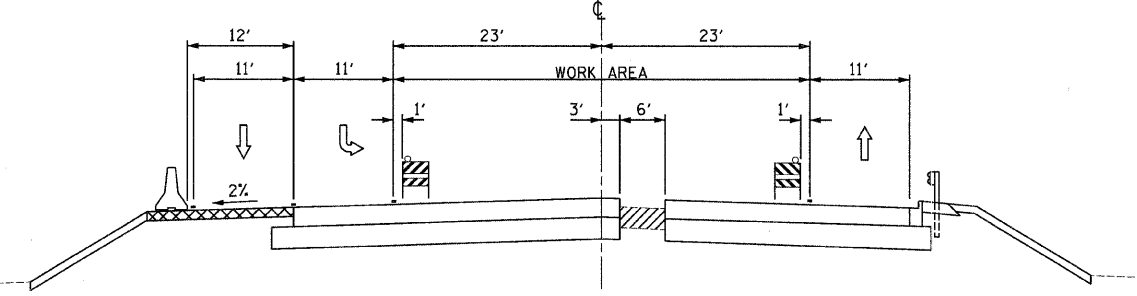
MANHATTAN-MONEE ROAD  
STAGE III SUBSTAGE A  
SECTION A-A



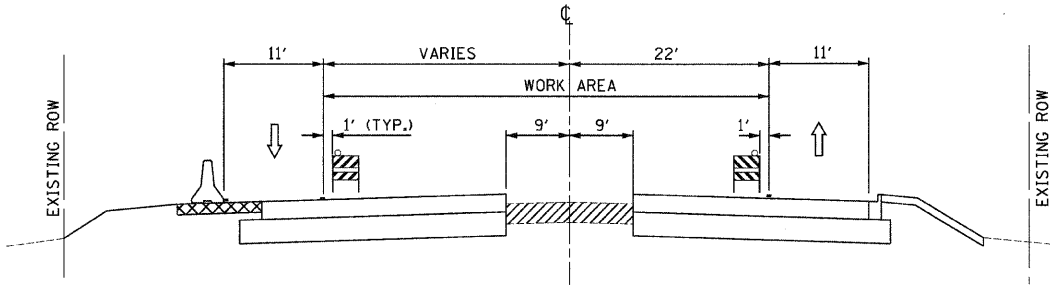
MANHATTAN-MONEE ROAD  
STAGE III SUBSTAGE A  
SECTION D-D



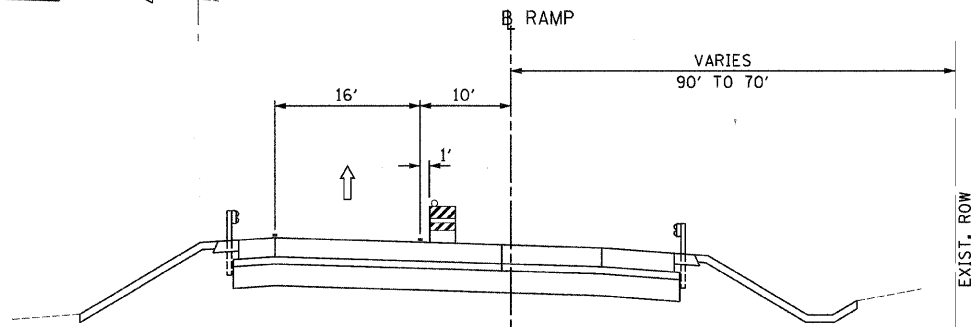
MANHATTAN-MONEE ROAD  
STAGE III SUBSTAGE A  
SECTION G-G



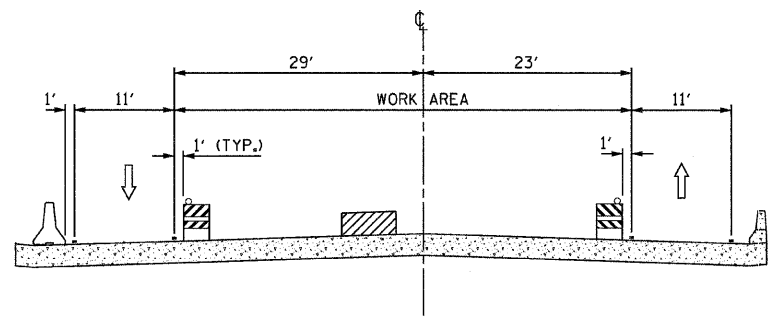
MANHATTAN-MONEE ROAD  
STAGE III SUBSTAGE A  
SECTION B-B



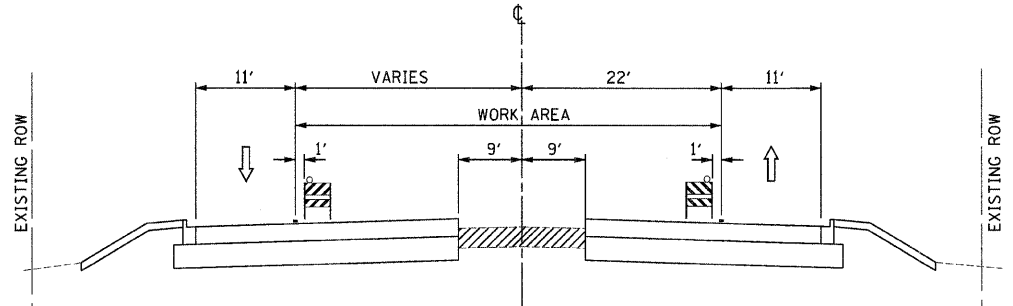
MANHATTAN-MONEE ROAD  
STAGE III SUBSTAGE A  
SECTION E-E



RAMP B & D  
STAGE III SUBSTAGE A  
SECTION H-H



MANHATTAN-MONEE ROAD  
STAGE III SUBSTAGE A  
SECTION C-C



MANHATTAN-MONEE ROAD  
STAGE III SUBSTAGE A  
SECTION F-F

**LEGEND**

PAVEMENT CONSTRUCTION  
 TEMPORARY PAVEMENT

**NOTE:**  
TEMPORARY PAVEMENT MARKING TYPE, COLOR, AND SIZE ARE AS SHOWN ON STAGING PLAN SHEETS

REVISIONS	
NAME	DATE

ILLINOIS DEPARTMENT OF TRANSPORTATION  
I-57 AT MANHATTAN - MONEE ROAD  
SUGGESTED STAGES OF CONSTRUCTION  
AND  
TRAFFIC CONTROL  
TYPICAL SECTIONS  
STAGE III SUBSTAGE A

SCALE: VERT. NTS  
HORIZ. NTS  
DATE 9/19/2008

DRAWN BY NS  
CHECKED BY TMW

**Clark Dietz**  
ENGINEERS

DESIGN FIRM REGISTRATION  
NO. 184-000450  
118 SOUTH CLINTON STREET  
SUITE 800  
CHICAGO, IL 60661  
PHONE : 312.648.9900  
FAX : 312.648.0204

p:\02231\plans\sheet\102231CSST0301.dgn  
8/17/2008