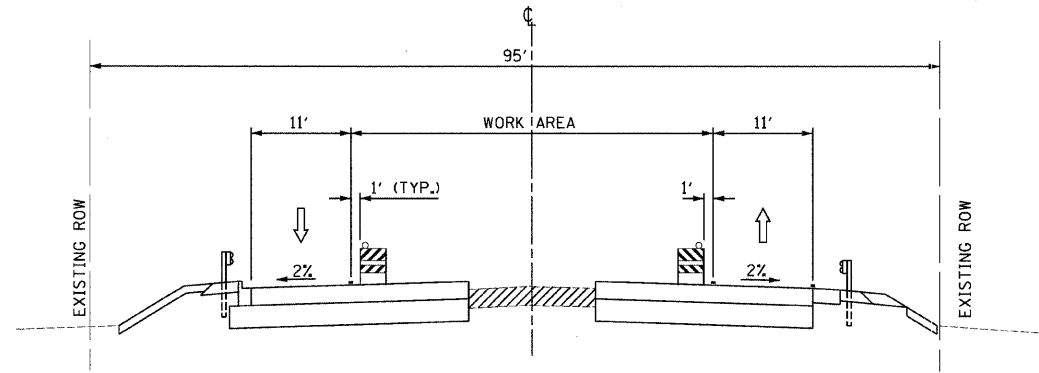
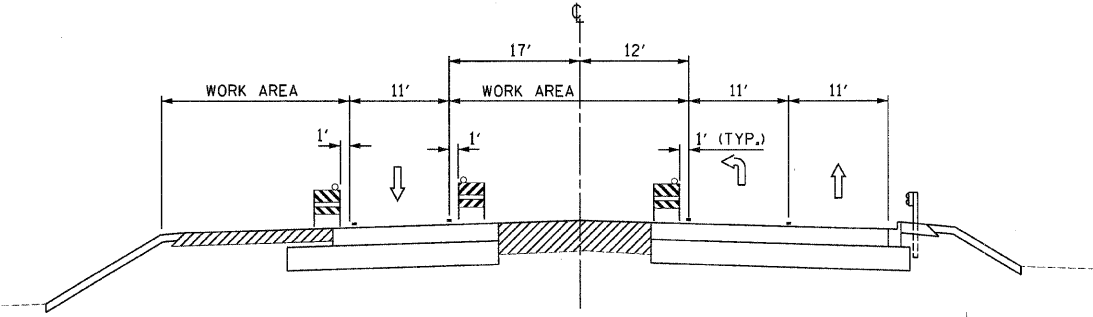


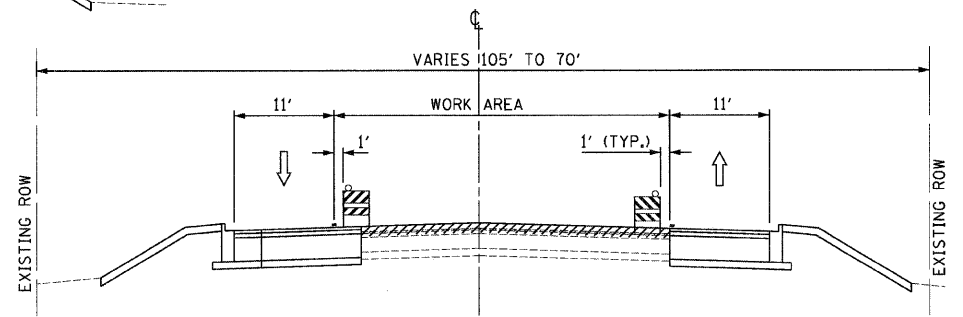
F.A.I. RTE.	SECTION	COUNTY	TOTAL SHEETS	SHEET NO.
57		WILL	303	62
STA.		TO STA.		
FED. ROAD DIST. NO.	ILLINOIS	FED. AID PROJECT		
9901&2	R-3&9-110-1-BR-2	CONTRACT: 62253		



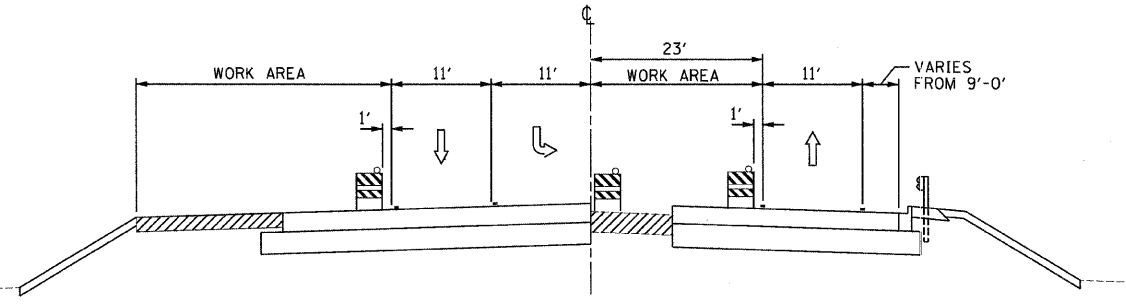
MANHATTAN-MONEE ROAD
STAGE III SUBSTAGE B
SECTION A-A



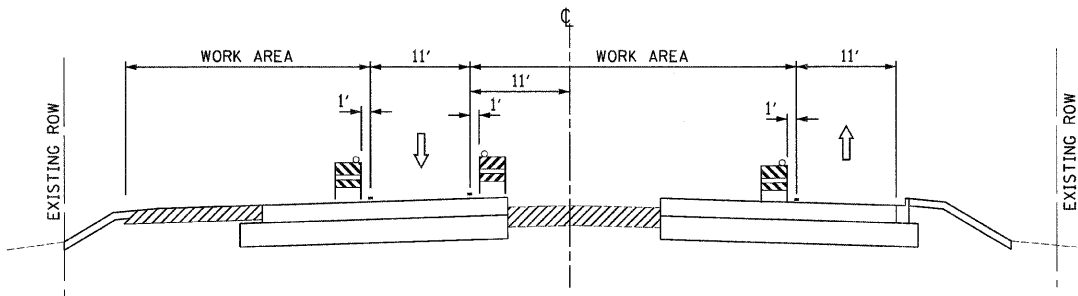
MANHATTAN-MONEE ROAD
STAGE III SUBSTAGE B
SECTION D-D



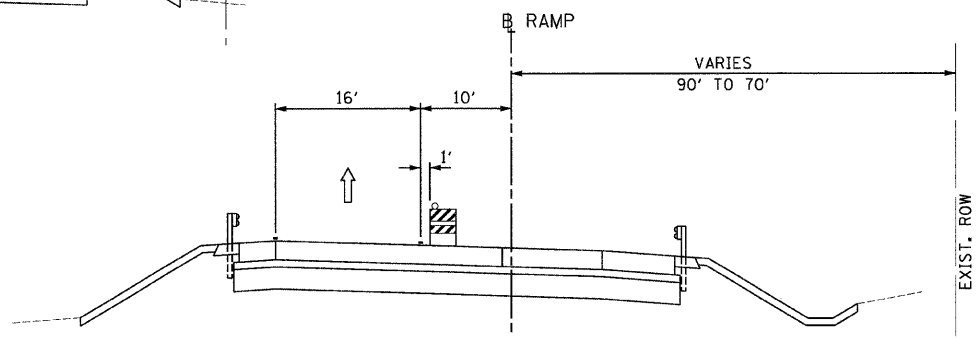
MANHATTAN-MONEE ROAD
STAGE III SUBSTAGE B
SECTION G-G



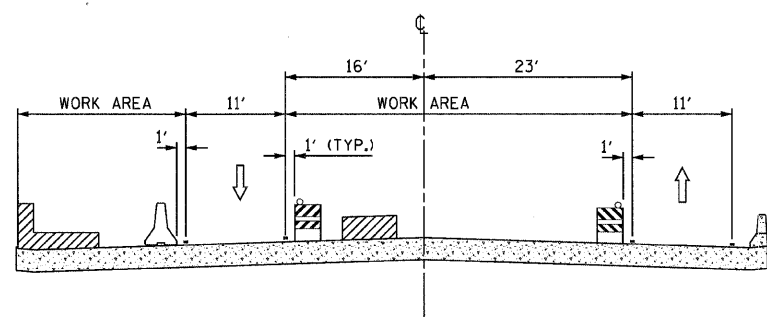
MANHATTAN-MONEE ROAD
STAGE III SUBSTAGE B
SECTION B-B



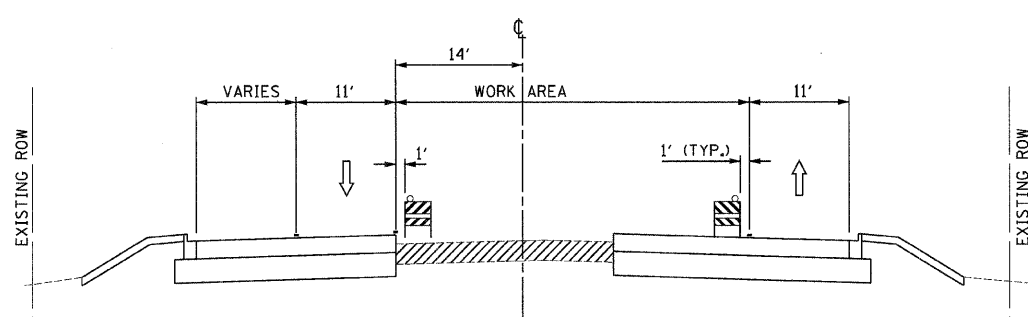
MANHATTAN-MONEE ROAD
STAGE III SUBSTAGE B
SECTION E-E



RAMP B & D
STAGE III SUBSTAGE B
SECTION H-H



MANHATTAN-MONEE ROAD
STAGE III SUBSTAGE B
SECTION C-C



MANHATTAN-MONEE ROAD
STAGE III SUBSTAGE B
SECTION F-F

LEGEND

	PAVEMENT CONSTRUCTION
	TEMPORARY PAVEMENT

NOTE:
TEMPORARY PAVEMENT MARKING TYPE, COLOR, AND SIZE ARE AS SHOWN ON STAGING PLAN SHEETS

REVISIONS	
NAME	DATE

ILLINOIS DEPARTMENT OF TRANSPORTATION
I-57 AT MANHATTAN - MONEE ROAD
SUGGESTED STAGES OF CONSTRUCTION
AND
TRAFFIC CONTROL
TYPICAL SECTIONS
STAGE III SUBSTAGE B

SCALE: VERT. NTS
HORIZ. NTS
DATE 9/19/2008

DRAWN BY NS
CHECKED BY TMW

Clark Dietz
ENGINEERS

DESIGN FIRM REGISTRATION
No. 184-000450
118 SOUTH CLINTON STREET
SUITE 800
CHICAGO, IL 60661
PHONE : 312.648.9900
FAX : 312.648.0204

p:\022231\pl\lane\shree\1022231\035103802.dgn
8/17/2008