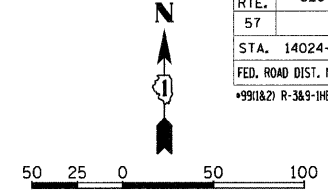
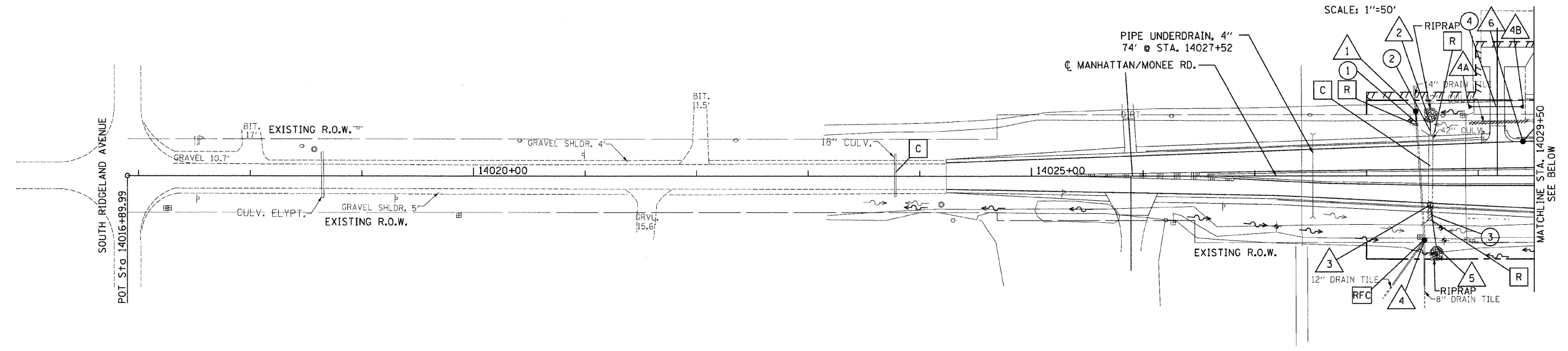


F.A.I. RTE.	SECTION	COUNTY	TOTAL SHEETS	SHEET NO.
57		WILL	303	67
STA. 14024+23.67 TO STA. 14044+50				
FED. ROAD DIST. NO. ILLINOIS FED. AID PROJECT				
*991&2) R-3&9-1B-1-BR-2				

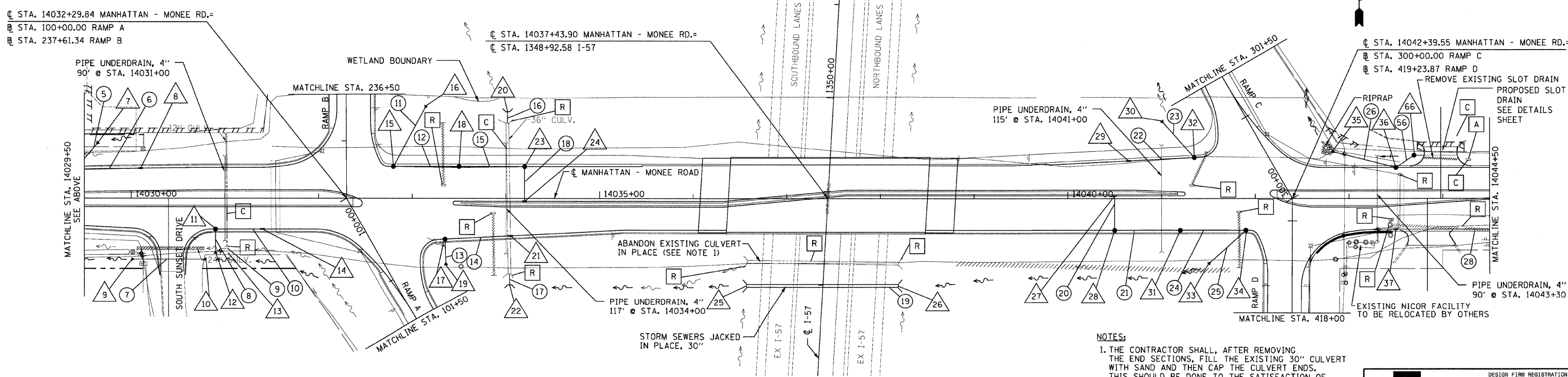
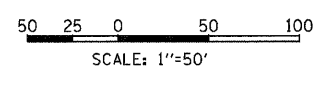


PLAN	DATE
REVISIONS	
NO. 1	
NO. 2	
NO. 3	
NO. 4	
NO. 5	
NO. 6	
NO. 7	
NO. 8	
NO. 9	
NO. 10	
NO. 11	
NO. 12	
NO. 13	
NO. 14	
NO. 15	
NO. 16	
NO. 17	
NO. 18	
NO. 19	
NO. 20	
NO. 21	
NO. 22	
NO. 23	
NO. 24	
NO. 25	
NO. 26	
NO. 27	
NO. 28	
NO. 29	
NO. 30	
NO. 31	
NO. 32	
NO. 33	
NO. 34	
NO. 35	
NO. 36	
NO. 37	
NO. 38	
NO. 39	
NO. 40	
NO. 41	
NO. 42	
NO. 43	
NO. 44	
NO. 45	
NO. 46	
NO. 47	
NO. 48	
NO. 49	
NO. 50	
NO. 51	
NO. 52	
NO. 53	
NO. 54	
NO. 55	
NO. 56	
NO. 57	
NO. 58	
NO. 59	
NO. 60	
NO. 61	
NO. 62	
NO. 63	
NO. 64	
NO. 65	
NO. 66	
NO. 67	



MANHATTAN - MONEE ROAD

PROFILE	DATE
REVISIONS	
NO. 1	
NO. 2	
NO. 3	
NO. 4	
NO. 5	
NO. 6	
NO. 7	
NO. 8	
NO. 9	
NO. 10	
NO. 11	
NO. 12	
NO. 13	
NO. 14	
NO. 15	
NO. 16	
NO. 17	
NO. 18	
NO. 19	
NO. 20	
NO. 21	
NO. 22	
NO. 23	
NO. 24	
NO. 25	
NO. 26	
NO. 27	
NO. 28	
NO. 29	
NO. 30	
NO. 31	
NO. 32	
NO. 33	
NO. 34	
NO. 35	
NO. 36	
NO. 37	
NO. 38	
NO. 39	
NO. 40	
NO. 41	
NO. 42	
NO. 43	
NO. 44	
NO. 45	
NO. 46	
NO. 47	
NO. 48	
NO. 49	
NO. 50	
NO. 51	
NO. 52	
NO. 53	
NO. 54	
NO. 55	
NO. 56	
NO. 57	
NO. 58	
NO. 59	
NO. 60	
NO. 61	
NO. 62	
NO. 63	
NO. 64	
NO. 65	
NO. 66	
NO. 67	



MANHATTAN - MONEE ROAD

- NOTES:**
1. THE CONTRACTOR SHALL, AFTER REMOVING THE END SECTIONS, FILL THE EXISTING 30" CULVERT WITH SAND AND THEN CAP THE CULVERT ENDS. THIS SHOULD BE DONE TO THE SATISFACTION OF THE ENGINEER.
 2. SEE GENERAL NOTES FOR SPECIAL AND HAZARDOUS WASTE REMOVAL

DESIGN FIRM REGISTRATION
No. 184-000450
118 SOUTH CLINTON STREET
SUITE 600
CHICAGO, IL 60661
PHONE : 312.648.9900
FAX : 312.648.0204

p:\02231\planets\sheet\1010101a.dgn 8/1/2008