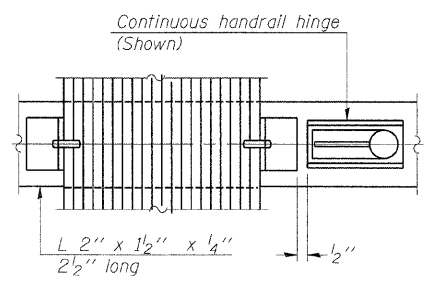


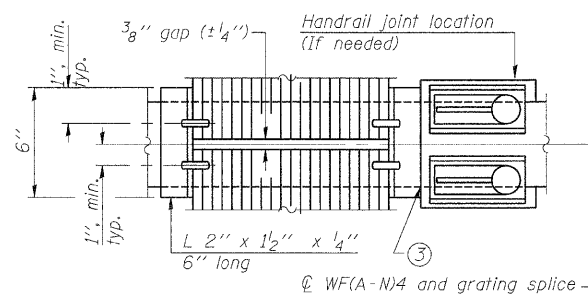
**SECTION B-B**

Sign shall be even with the top of the bracket, but it may extend no more than 6" above the top of the bracket for field adjustments.

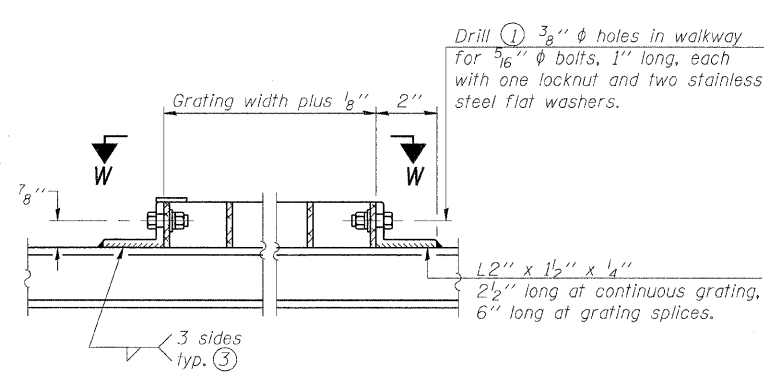


**(CONTINUOUS WALKWAY GRATING)**

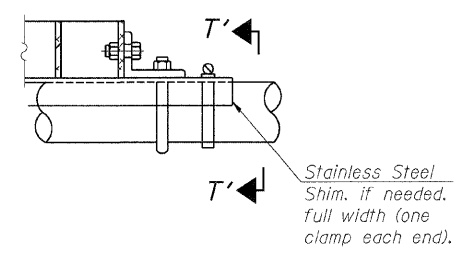
**SECTION W-W**



**(AT WALKWAY GRATING SPLICE)**

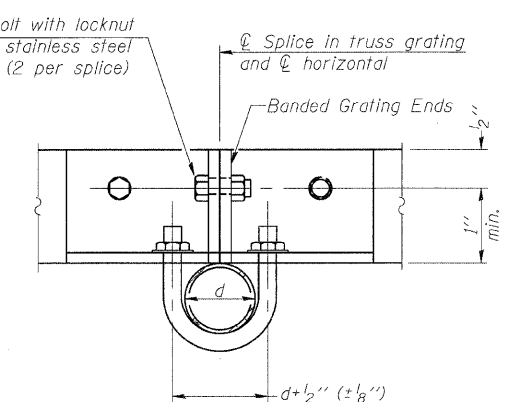


**DETAIL W**  
(Walkway grating)

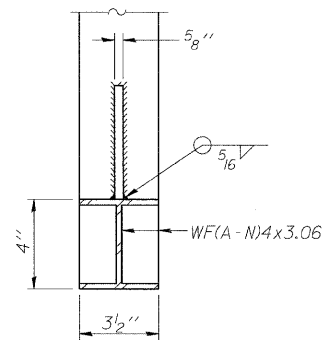


**DETAIL T'**

(Truss grating splice)  
Details not shown same as Detail T.  
Alternate materials may be used subject to the Engineer's review and approval.

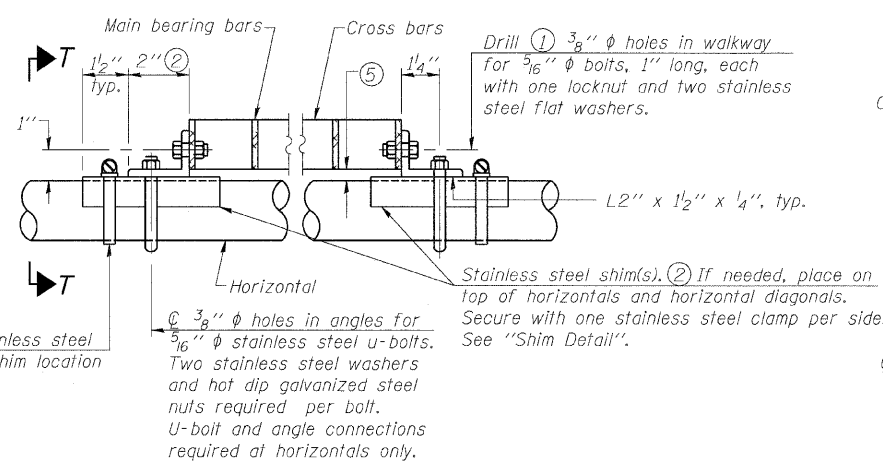


**SECTION T'-T'**



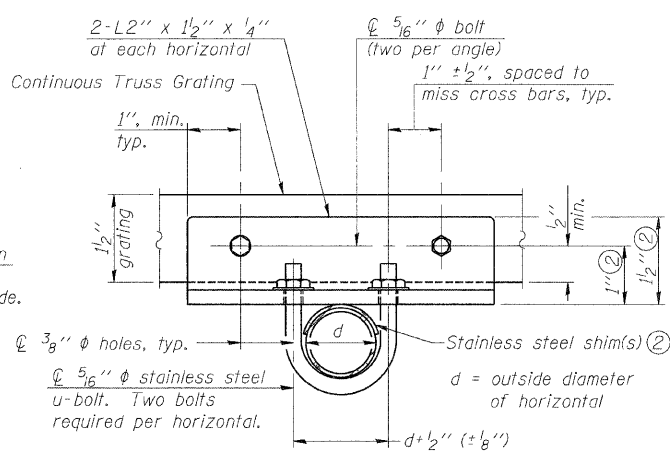
**SECTION D-D**

Screw type stainless steel tube clamp at shim location

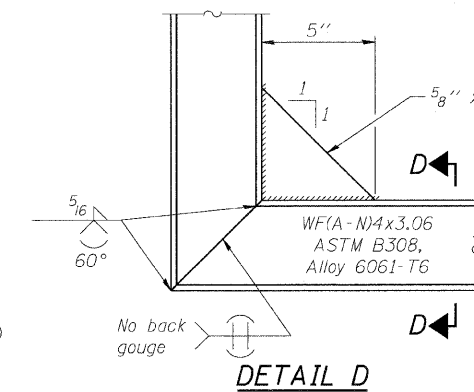


**DETAIL T**

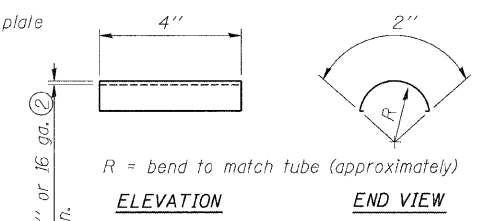
(Continuous Truss grating)



**SECTION T-T**



**DETAIL D**



**CANTILEVER SIGN STRUCTURES  
WALKWAY DETAILS  
ALUMINUM TRUSS & STEEL POST**

MANHATTAN-MONEE ROAD (CH-6)  
OVER I-57  
F.A. I-57 SEC. 99(I&2) R 3&9-IHB-1-BR2  
WILL COUNTY STA. 14037+43.90  
STRUCTURE NUMBER 099-4647

DESIGN FIRM REGISTRATION  
No. 184-000450  
**Clark Dietz**  
ENGINEERS  
1817 SOUTH NEIL STREET  
SUITE 100  
CHAMPAIGN, IL 61820  
PHONE : 217.373.8900  
FAX : 217.373.8923

DESIGNED BY: SLD	PROJECT NO: 102230	DRAWING NUMBER <b>OSC-7</b>
DRAWN BY: SLD/AJP	DATE: 05/2008	
CHECKED BY: SLD		
APPROVED BY: TMW		
ACTIVITY	INITIALS	

Structure Number	Station	A	B	C	D
1C0991057L 335.4	1366+16.50	5 1/2"	6'-6"	4'-6"	11'-6"
1C0991057L 336.0	1393+40	5 1/2"	6'-6"	4'-6"	11'-6"
1C0991057L 336.5	1419+80	5 1/2"	6'-6"	4'-6"	11'-6"

NUMBER	REVISION	DATE