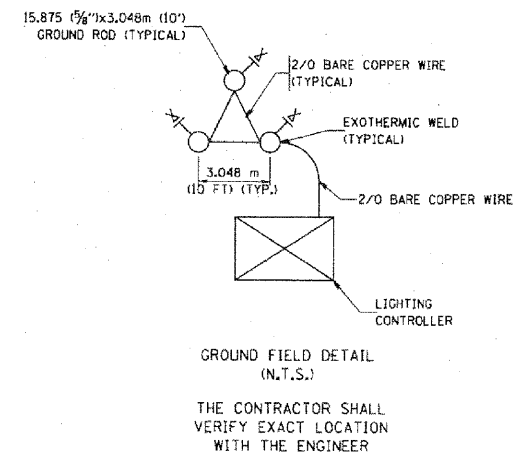
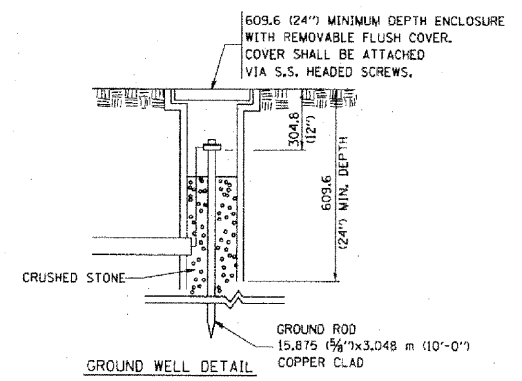
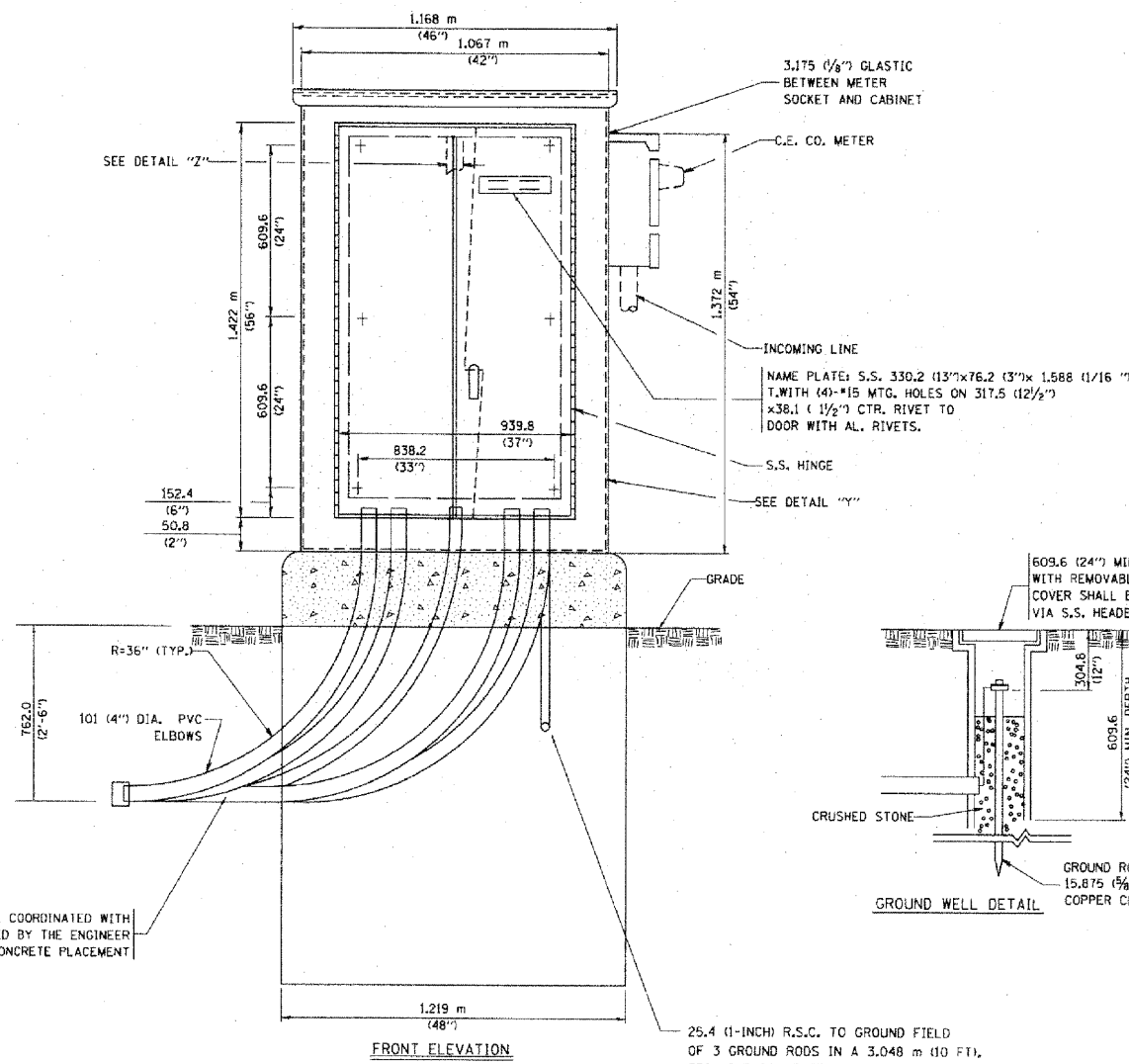
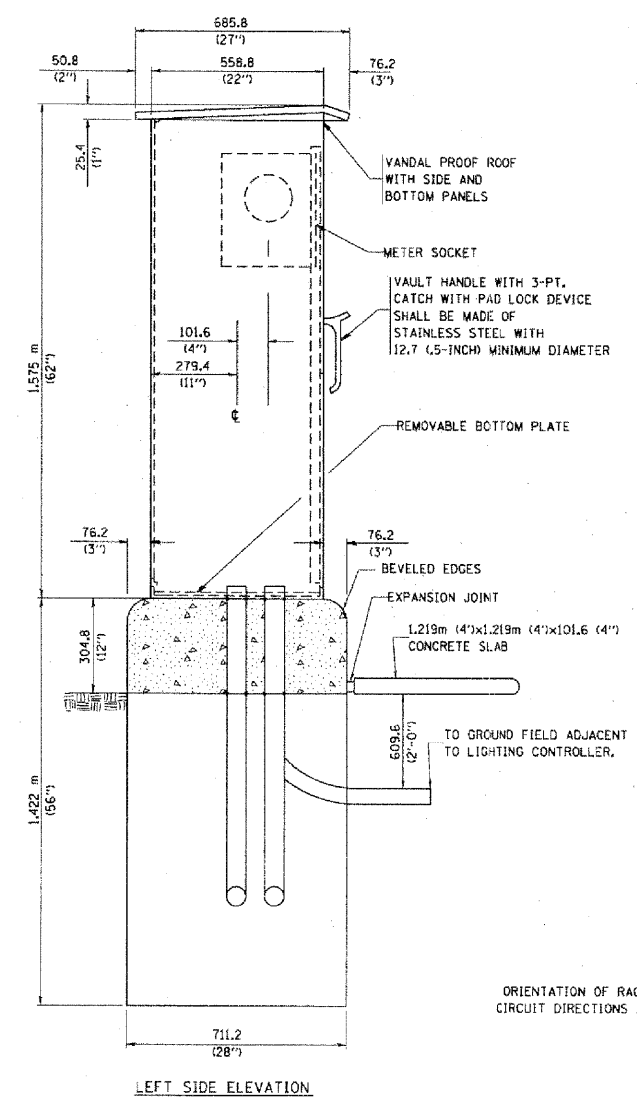
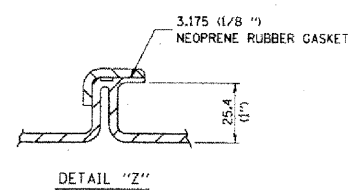
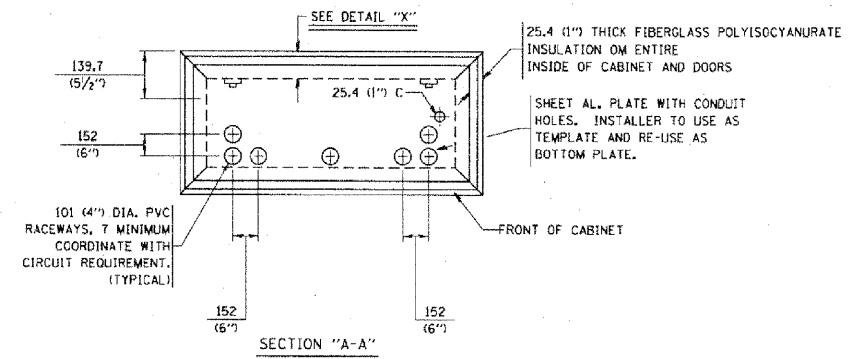
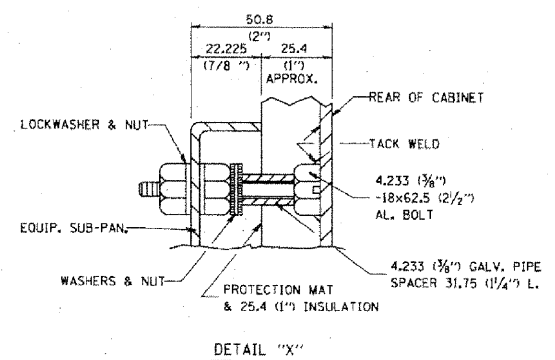
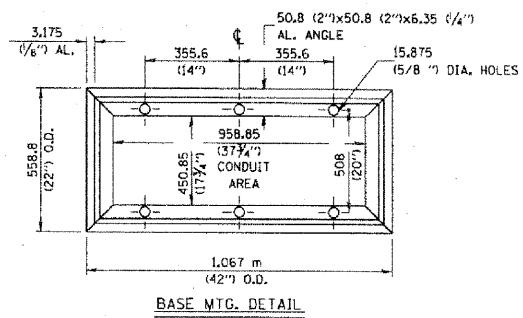
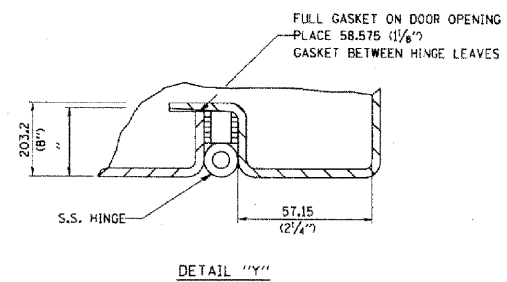


CONTRACT NO.			
F.A. RTE.	SECTION	COUNTY	TOTAL SHEET NO.
			303 143
STA.		TO STA.	
FED. ROAD DIST. NO.	ILLINOIS	FED. AID PROJECT	



ORIENTATION OF RACEWAYS SHALL BE COORDINATED WITH CIRCUIT DIRECTIONS AND BE INSPECTED BY THE ENGINEER PRIOR TO CONCRETE PLACEMENT

25.4 (1-INCH) R.S.C. TO GROUND FIELD OF 3 GROUND RODS IN A 3.048 m (10 FT). TRIANGLE CONNECTED VIA BARE COPPER WIRE. VERIFY EXACT LOCATION OF GROUND FIELD WITH THE ENGINEER. NO GROUND WELL SHALL BE PLACED IN CONCRETE PAD IN FRONT OF CONTROLLER.

REVISIONS	
NAME	DATE

E-200

ILLINOIS DEPARTMENT OF TRANSPORTATION

LIGHTING CONTROLLER, DUPLEX TYPE
SHT 3 OF 4

SCALE: VERT.
HORIZ.
DATE: 4/26/2006

DRAWN BY C.A.D.
CHECKED BY
E-200 (BE-200)

PLOT DATE = 4/26/2006
PLOT SCALE = 800000 / 1
USER NAME = greg11@icdot