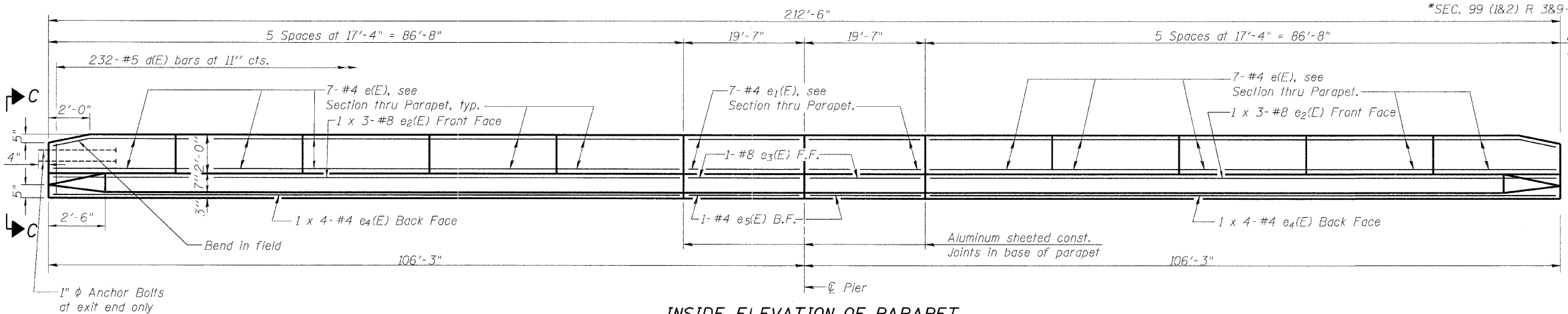


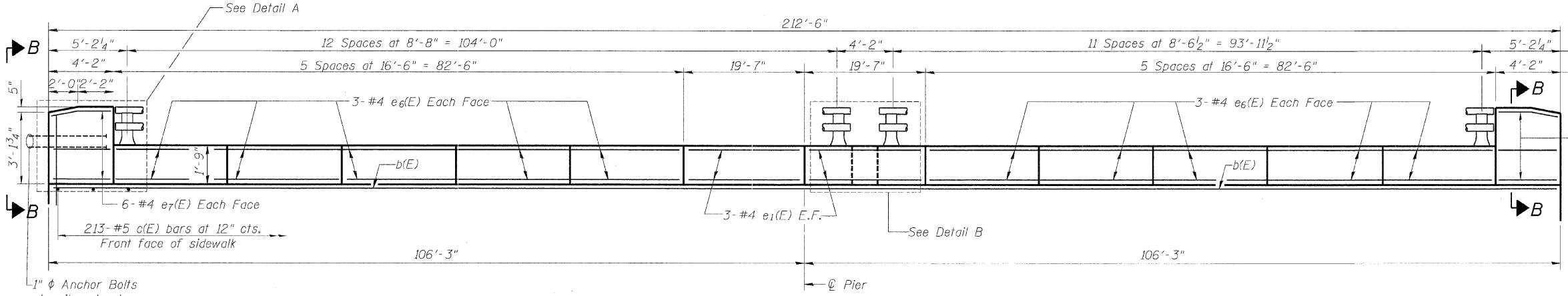
ROUTE NO.	SECTION	COUNTY	SHEETS	SHEET NO.	SHEET NO. 10
FAI 57	*	WILL	303	164	28 SHEETS
FED. ROAD DIST. NO. 7	ILLINOIS	FED. AID PROJECT			

Contract #62253

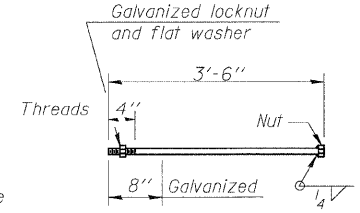
**NOTES:**  
 1. See Dwg. S-11 for Section B-B.  
 2. See Dwg. S-15 for Aluminum Railing, Type L Details.



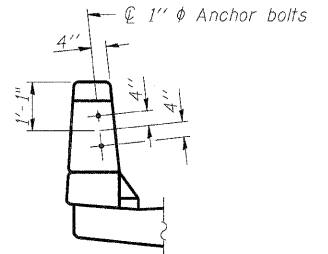
**INSIDE ELEVATION OF PARAPET**



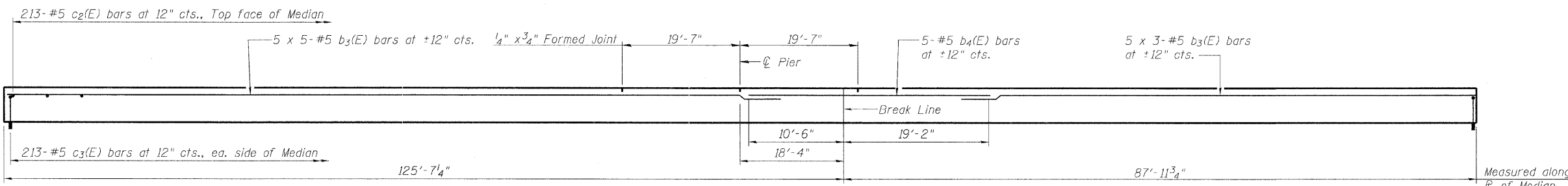
**INSIDE ELEVATION OF SIDEWALK PARAPET**



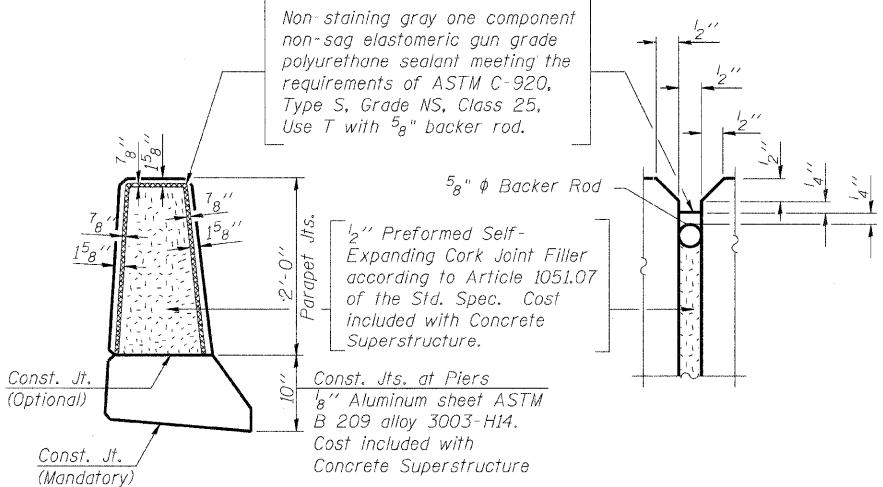
**1" φ ANCHOR BOLT**  
 (Cost included with Concrete Superstructure)



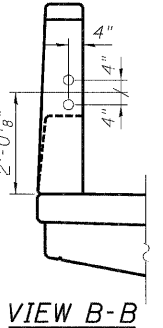
**VIEW C-C**



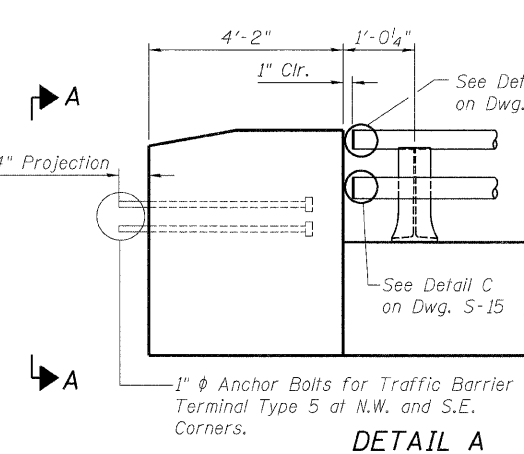
**INSIDE ELEVATION MEDIAN**



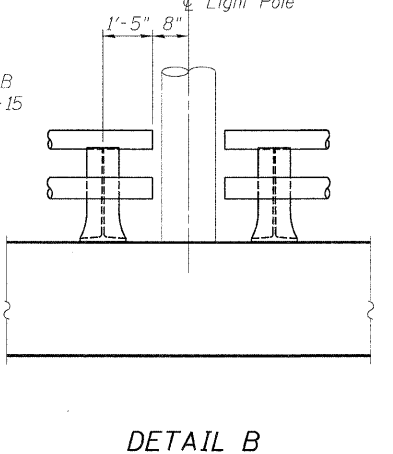
**PARAPET JOINT DETAILS**  
 (Sidewalk mounted barrier similar)



**VIEW B-B**



**DETAIL A**



**DETAIL B**

**MIN. BAR LAP**

#4	1'-4"
#8	3'-8"

**PARAPETS AND MEDIAN ELEVATIONS**  
 MANHATTAN-MONEE ROAD (CH-6)  
 OVER I-57  
 F.A. I-57 SEC. 99(1&2) R 3&9-1HB-1-BR2  
 WILL COUNTY STA. 14037+43.90  
 STRUCTURE NUMBER 099-4647

DESIGN FIRM REGISTRATION  
 No. 184-000450  
**Clark Dietz**  
 ENGINEERS  
 1817 SOUTH NEIL STREET  
 SUITE 100  
 CHAMPAIGN, IL 61820  
 PHONE : 217.373.8900  
 FAX : 217.373.8923

NOTE: DIMENSIONAL DATA IS NOT TO BE OBTAINED BY SCALING ANY PORTION OF THIS DRAWING.

DESIGNED BY: SMM	PROJECT NO: 102230
DRAWN BY: MEW/SLD	DATE: 05/2008
CHECKED BY: SLD	
APPROVED BY: SMM	
ACTIVITY	INITIALS

DRAWING NUMBER  
**S-10**