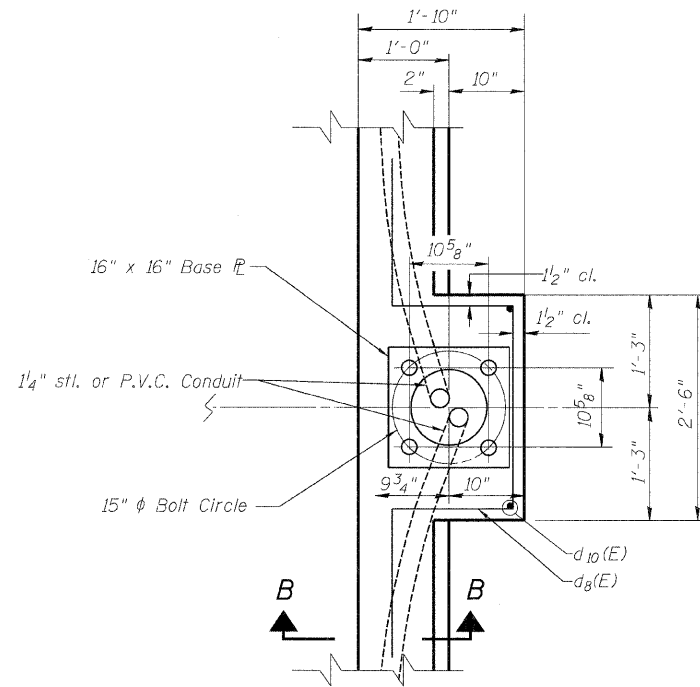
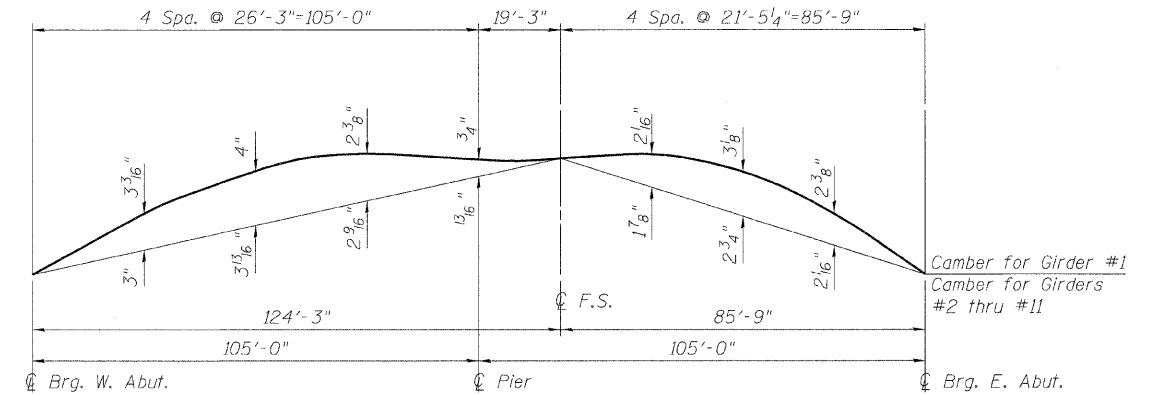


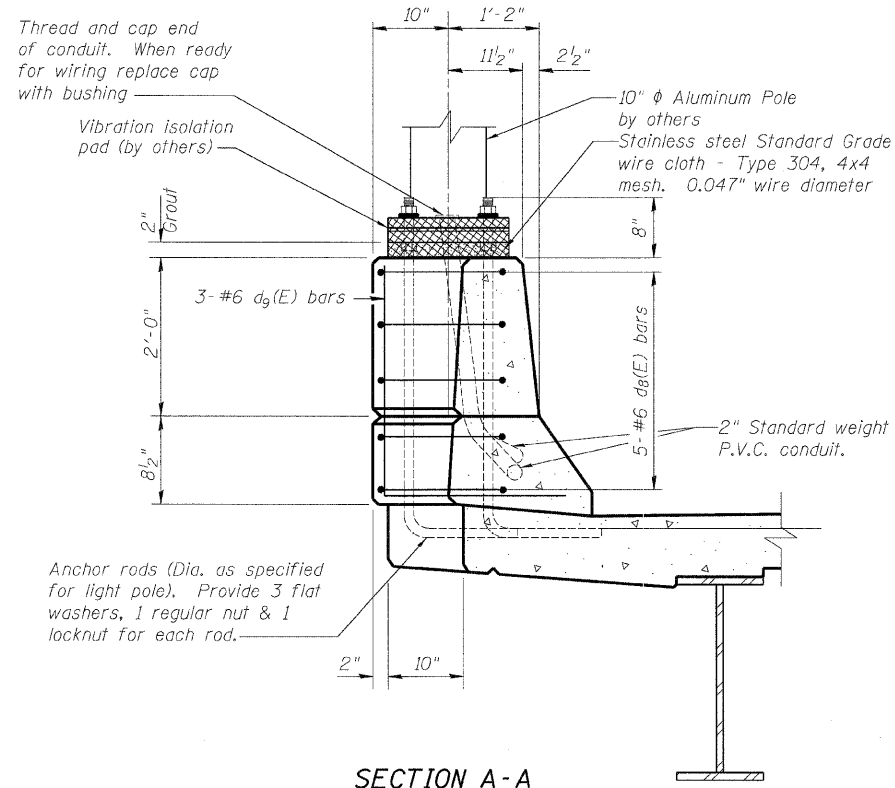
PLAN



PLAN

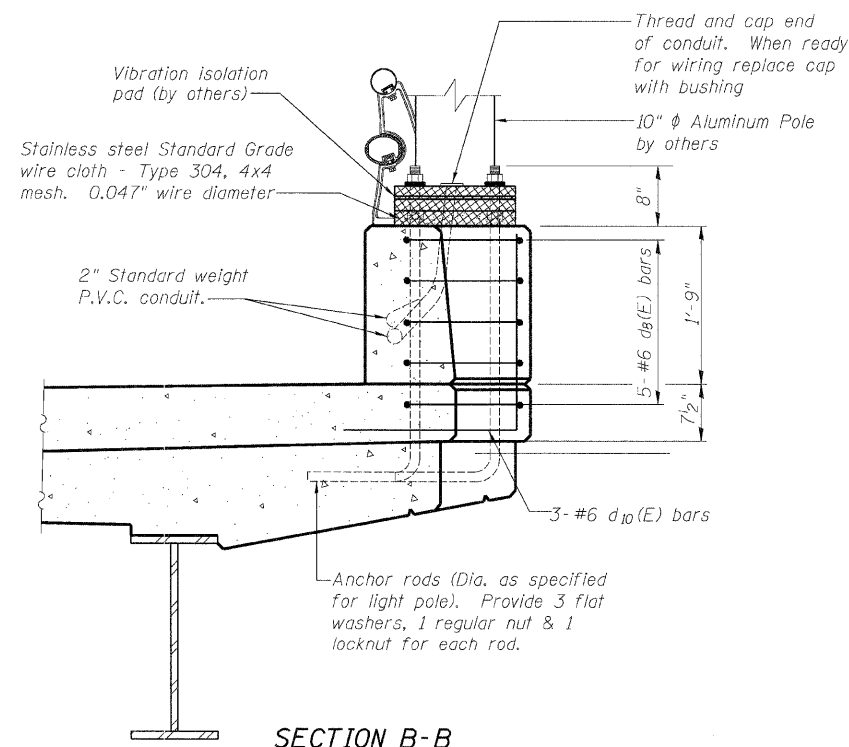


BLOCK AND CAMBER DIAGRAM

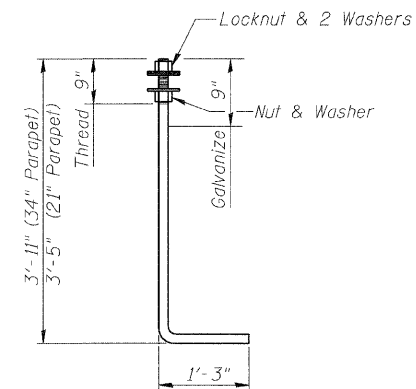


SECTION A-A

Note: Cost of anchor rods and conduit included with Concrete Superstructure.



SECTION B-B



ANCHOR ROD

Diameter as specified for light poles. (ASTM F 1554 Grade 105)

LIGHT POLE BASE DETAILS AND CAMBER DIAGRAM	
MANHATTAN-MONEE ROAD (CH-6) OVER I-57	
F.A. I-57	SEC. 99(1&2) R 3&9-IHB-1-BR2
WILL COUNTY	STA. 14037+43.90
STRUCTURE NUMBER 099-4647	
Clark Dietz ENGINEERS	
DESIGN FIRM REGISTRATION No. 184-000450 1817 SOUTH NEIL STREET SUITE 100 CHAMPAIGN, IL 61820 PHONE : 217.373.8900 FAX : 217.373.8923	
NOTE: DIMENSIONAL DATA IS NOT TO BE OBTAINED BY SCALING ANY PORTION OF THIS DRAWING.	
DESIGNED BY: SMM	PROJECT NO: 102230
DRAWN BY: MEW/SLD	DATE: 05/20/08
CHECKED BY: SLD	
APPROVED BY: SMM	
ACTIVITY: INITIALS	
DRAWING NUMBER S-14	