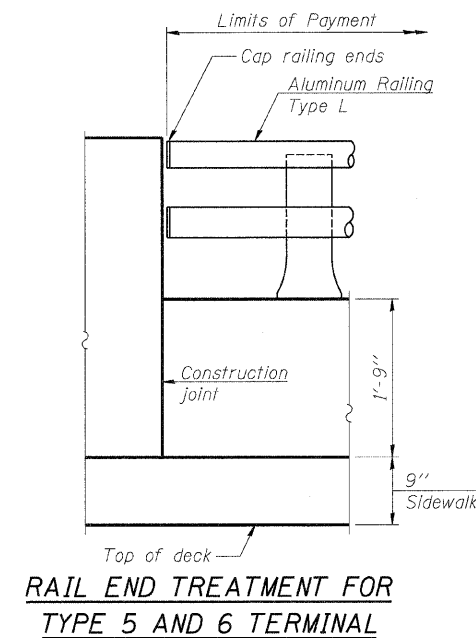
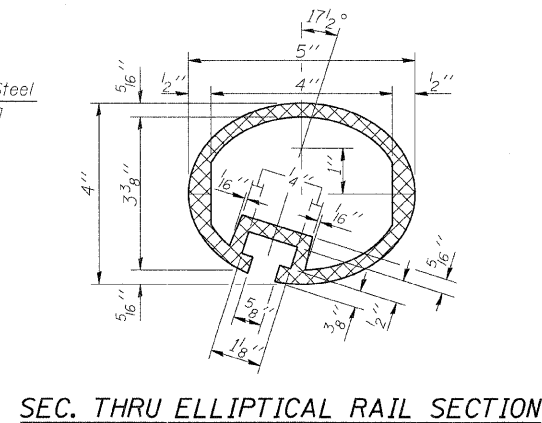
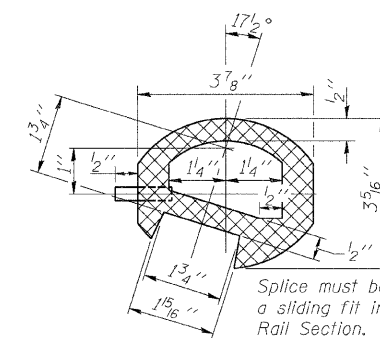
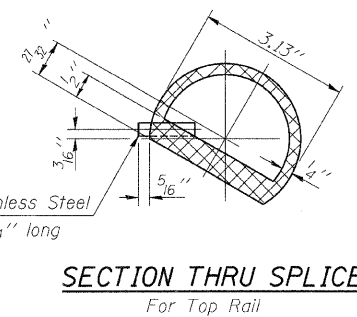
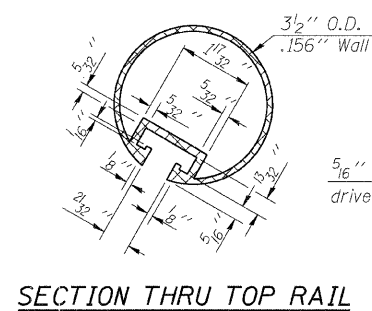
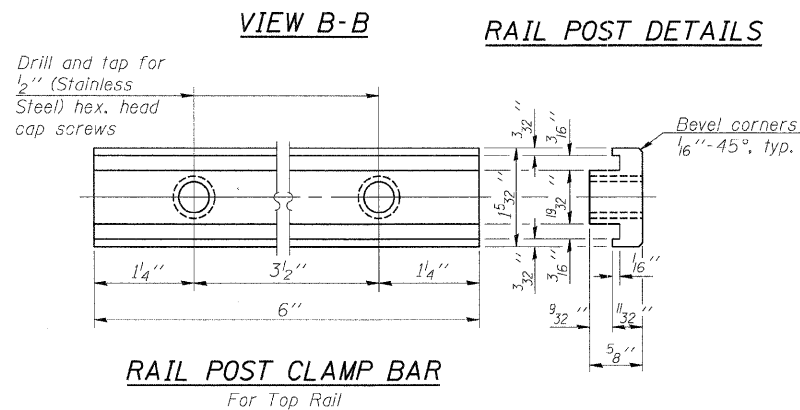
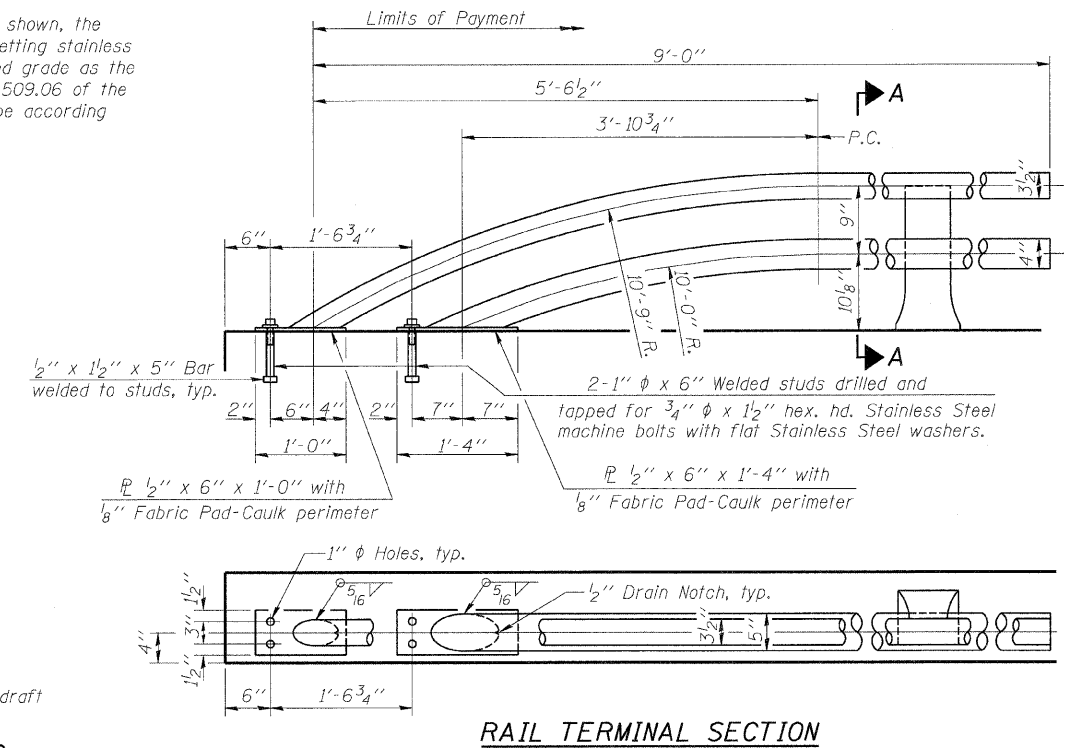
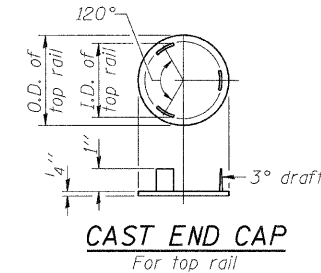
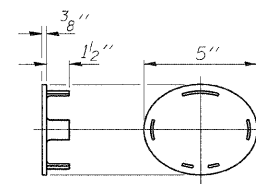


\*In lieu of the cast-in-place anchor device shown, the Contractor has the option of drilling and setting stainless steel anchor rods of the same diameter and grade as the specified cap screws according to Article 509.06 of the Standard Specifications. Embedment shall be according to the manufacturer's specifications.



**BILL OF MATERIAL**

Item	Unit	Quantity
Aluminum Railing, Type L	Foot	202.8

**ALUMINUM RAILING, TYPE L**

MANHATTAN-MONEE ROAD (CH-6)  
OVER I-57  
F.A. I-57 SEC. 99(I&2) R 3&9-  
IHB-1-BR2  
WILL COUNTY STA. 14037+43.90  
STRUCTURE NUMBER 099-4647



DESIGN FIRM REGISTRATION  
No. 184-000450  
1817 SOUTH NEIL STREET  
SUITE 100  
CHAMPAIGN, IL 61820  
PHONE : 217.373.9800  
FAX : 217.373.9823

NOTE: DIMENSIONAL DATA IS NOT TO BE OBTAINED BY SCALING ANY PORTION OF THIS DRAWING.

DESIGNED BY: SMM	PROJECT NO: 102230
DRAWN BY: MEW/SLD	DATE: 06/2008
CHECKED BY: SLD	
APPROVED BY: SMM	
ACTIVITY	INITIALS

DRAWING NUMBER

S-15