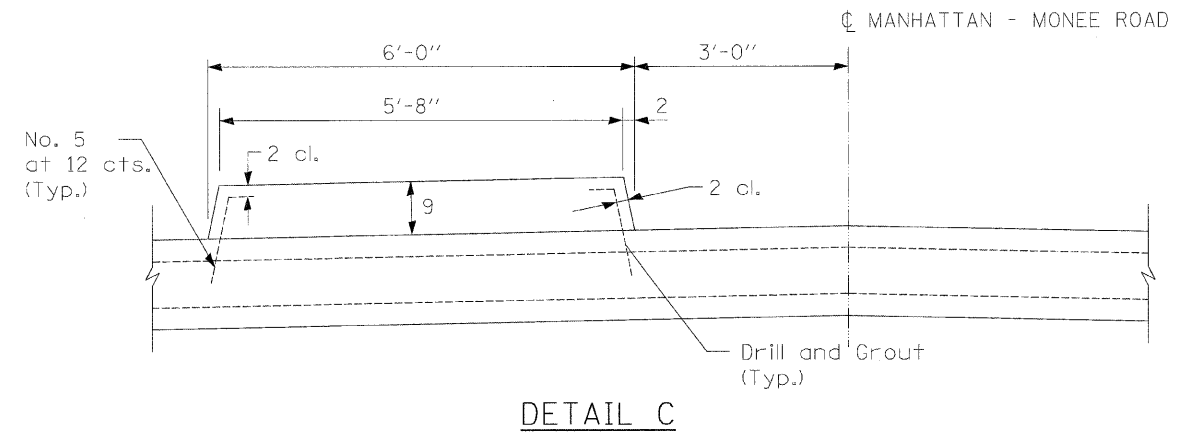
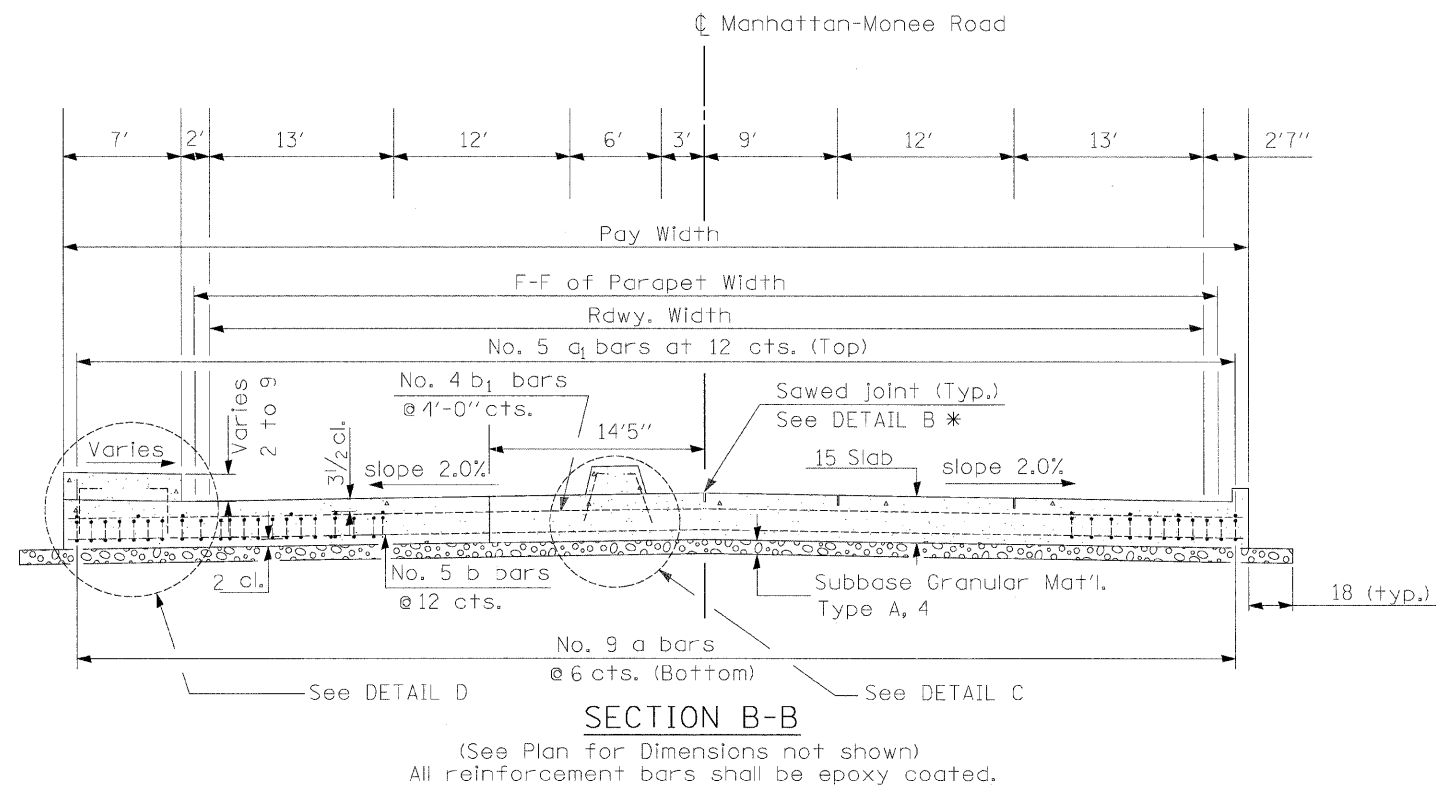
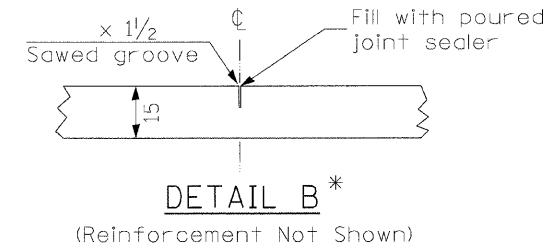
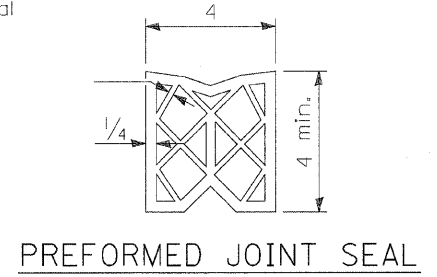
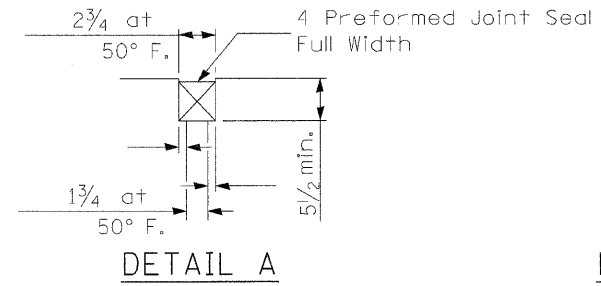
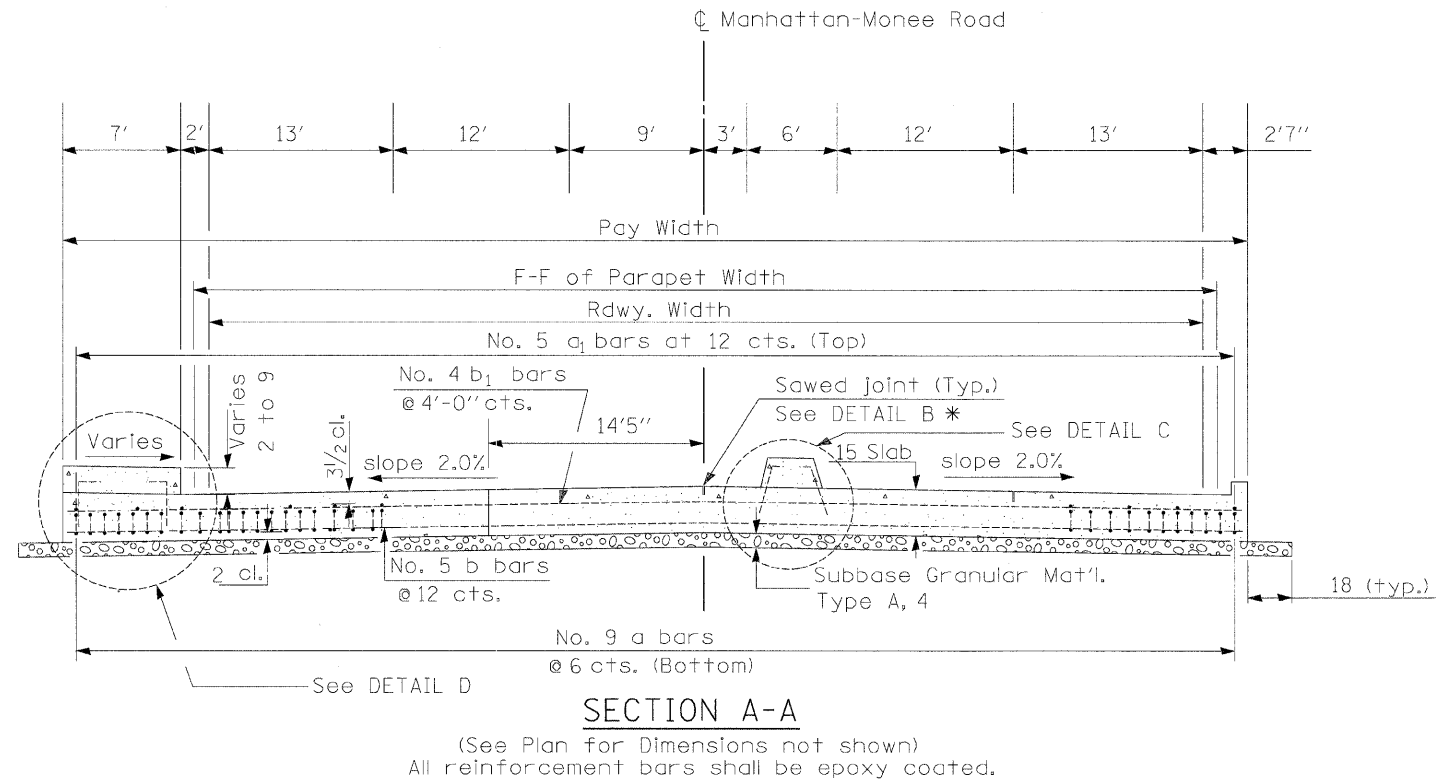


F.A.I. RTE.	SECTION	COUNTY	TOTAL SHEETS	SHEET NO.
57		WILL	303	201
STA.	TO STA.			
FED. ROAD DIST. NO.	ILLINOIS	FED. AID PROJECT		
*991&21 R-389-1B-1-BR-2		CONTRACT: 62253		



* Saw ϕ or lane edge if poured two or more lane widths at a time.

All dimensions are in inches unless otherwise shown.

Clark Dietz
ENGINEERS

DESIGN FIRM REGISTRATION
No. 184-000450
118 SOUTH CLINTON STREET
SUITE 600
CHICAGO, IL 60661
PHONE : 312.648.9900
FAX : 312.648.0204

REVISIONS	
NAME	DATE

ILLINOIS DEPARTMENT OF TRANSPORTATION
I-57 AT MANHATTAN - MONEE ROAD

CONSTRUCTION DETAILS
BRIDGE APPROACH PAVEMENT (SPECIAL) DETAIL
2 OF 4

SCALE: VERT. N.T.S.
DATE 9/19/2008

DRAWN BY AJP
CHECKED BY BDC

C:\02231\plans\sheet\02231psd\02.dgn 8/1/2008