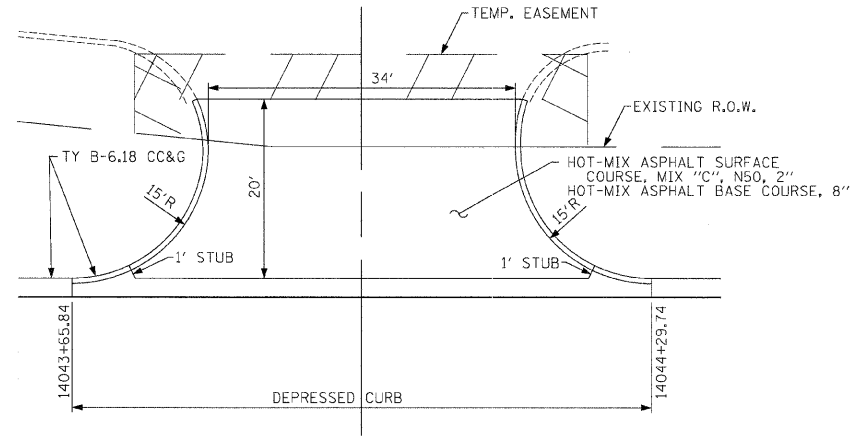
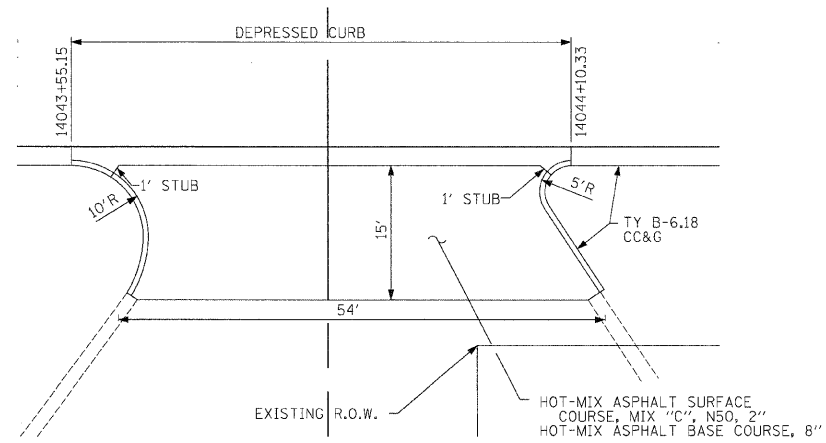


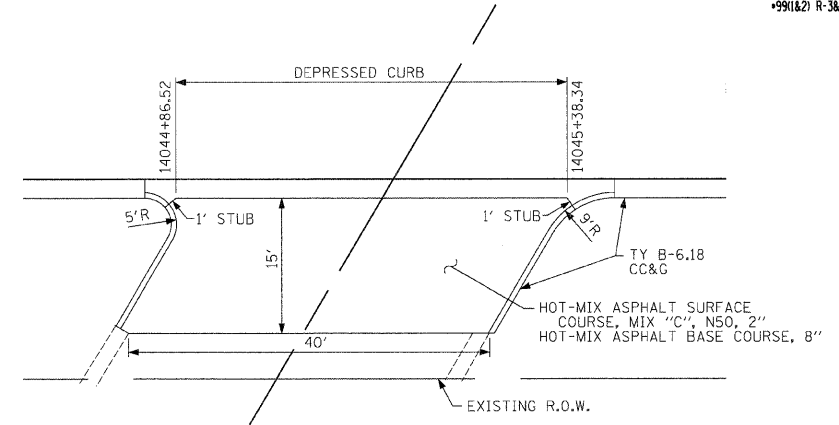
F.A.I. RTE.	SECTION	COUNTY	TOTAL SHEETS	SHEET NO.
57	*	WILL	303	204
STA.		TO STA.		
FED. ROAD DIST. NO.		ILLINOIS	FED. AID PROJECT	
*991&2) R-389-1B-1-BR-2		CONTRACT: 62253		



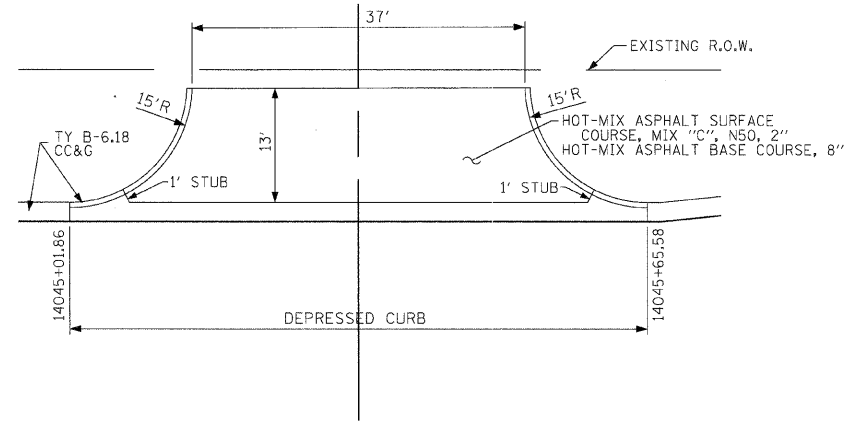
COMMERCIAL DRIVEWAY  
AT STA. 14043+97.72, LT



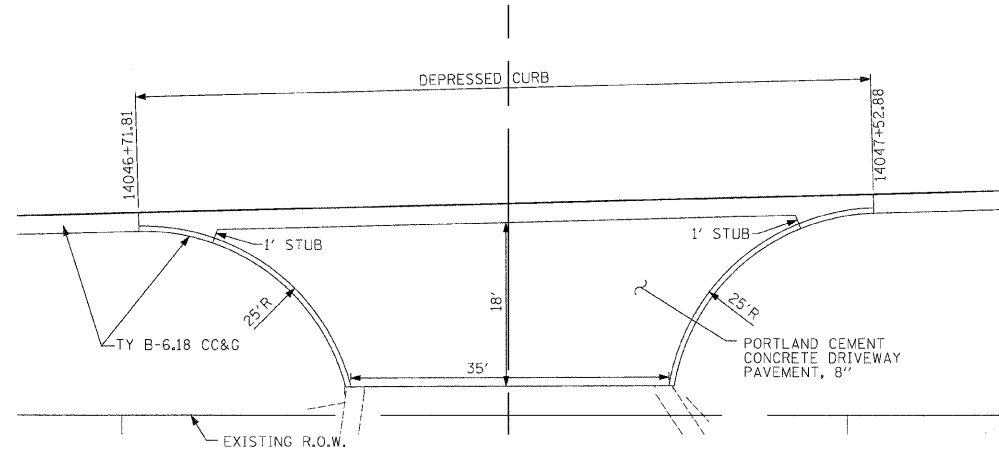
COMMERCIAL DRIVEWAY  
AT STA. 14043+83.46, RT



COMMERCIAL DRIVEWAY  
AT STA. 14045+33.24, RT



COMMERCIAL DRIVEWAY  
AT STA. 14045+33.71, LT



COMMERCIAL DRIVEWAY  
AT STA. 14047+12.62, RT

REVISIONS	
NAME	DATE

ILLINOIS DEPARTMENT OF TRANSPORTATION  
I-57 AT MANHATTAN - MONEE ROAD

CONSTRUCTION DETAILS  
DRIVEWAYS

SCALE: VERT. NTS  
HORIZ. 1"=10'  
DATE 9/19/2008

DRAWN BY KLM, MJK  
CHECKED BY TMW

**Clark Dietz**  
ENGINEERS

DESIGN FIRM REGISTRATION  
No. 154-000450  
118 SOUTH CLINTON STREET  
SUITE 600  
CHICAGO, IL 60661  
PHONE : 312.648.9900  
FAX : 312.648.0204