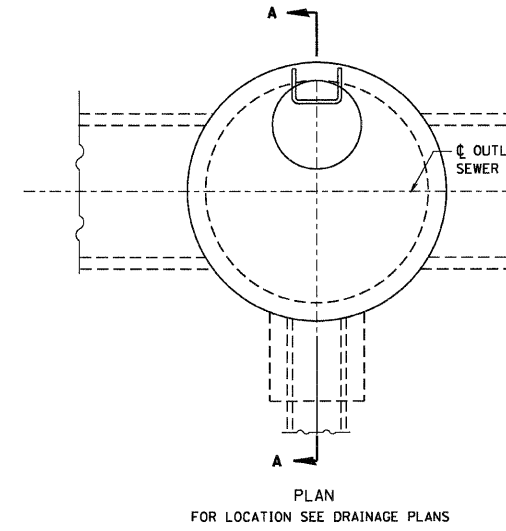


F.A.I. RTE.	SECTION	COUNTY	TOTAL SHEETS	SHEET NO.
57	*	WILL	303	208

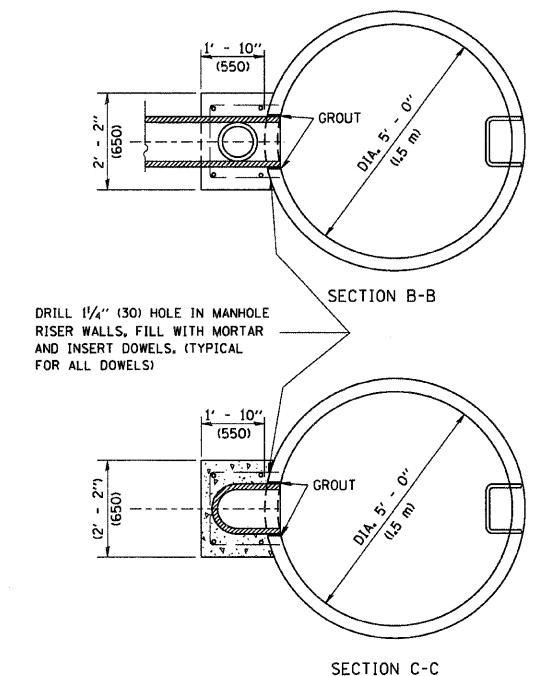
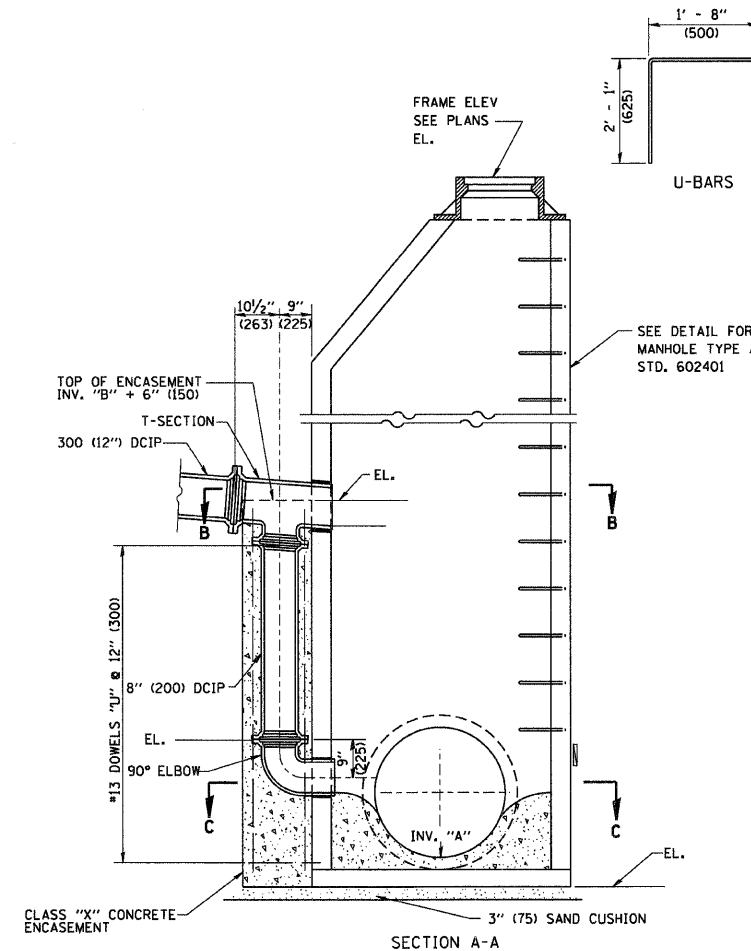
STA.	TO STA.

FED. ROAD DIST. NO. ILLINOIS FED. AID PROJECT

* 99 (162) R-369-1HB-1-BR-2



ENCASEMENT DETAILS	
DROP M.H. LOCATION STA., OFFSET	
INV. "A"	
INLET PIPE	
INV. "B"	
INV. "C"	
A	
B	
"V" BAR LENGTH	
NO. OF "U" BARS	
REINF. BARS	
CLASS "S1" CONC. CUBIC METER (CU. YD.)	



DRILL 1/4" (30) HOLE IN MANHOLE RISER WALLS, FILL WITH MORTAR AND INSERT DOWELS. (TYPICAL FOR ALL DOWELS)

ALL DIMENSIONS ARE IN INCHES (MILLIMETERS) UNLESS OTHERWISE SHOWN

- TYPE A1-1 MANHOLE WITH 1 DROP AND DEPTH UP TO 10' (3 m)
- TYPE A1-2 " " " " " " FROM 10' TO 15' (3 m TO 1.5 m)
- TYPE A1-3 " " " " " " FROM 15' TO 20' (1.5 m TO 6 m)
- TYPE A1-4 " " " " " " OVER 20' (6 m)
- TYPE A2-1 MANHOLE WITH 2 DROPS AND DEPTH UP TO 10' (3 m)
- TYPE A2-2 " " " " " " FROM 10' TO 15' (3 m TO 1.5 m)
- TYPE A2-3 " " " " " " FROM 15' TO 20' (1.5 m TO 6 m)
- TYPE A2-4 " " " " " " OVER 20' (6 m)

REVISIONS	
NAME	DATE
	10/18/02

ILLINOIS DEPARTMENT OF TRANSPORTATION

DROP MANHOLE DETAILS

SCALE: VERT. NONE
HORIZ.

DRAWN BY
CHECKED BY

BD600-05 (BD-16)