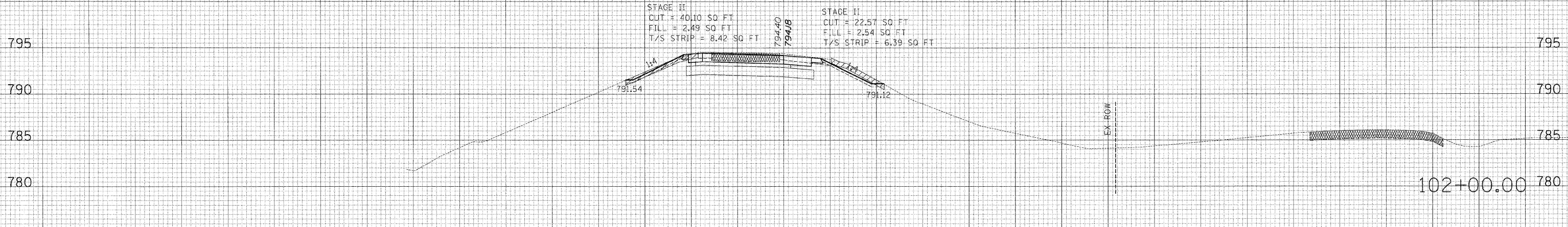
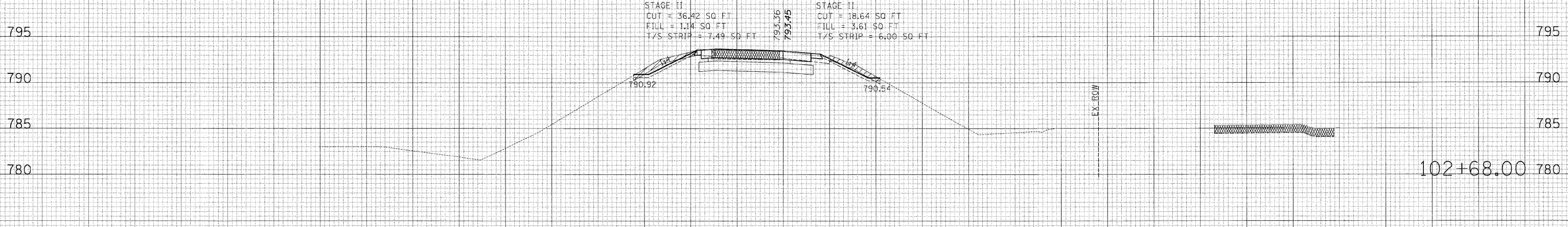


F.A. R.T.E.	SECTION	COUNTY	TOTAL SHEETS	SHEET NO.
57	*	WILL	303	255
STA. 102+00.00		TO STA. 102+68.00		
FED. ROAD DIST. NO.		ILLINOIS	FED. AID PROJECT	

160 150 140 130 120 110 100 90 80 70 60 50 40 30 20 10 0 10 20 30 40 50 60 70 80 90 100 110 120 130 140 150 160



160 150 140 130 120 110 100 90 80 70 60 50 40 30 20 10 0 10 20 30 40 50 60 70 80 90 100 110 120 130 140 150 160

DATE	BY
NO.	NO.

DATE	BY
NO.	NO.

C:\p2231\p2231\p2231\sheeta\02231.xes(2)10115001E BOOK 6/1/2006