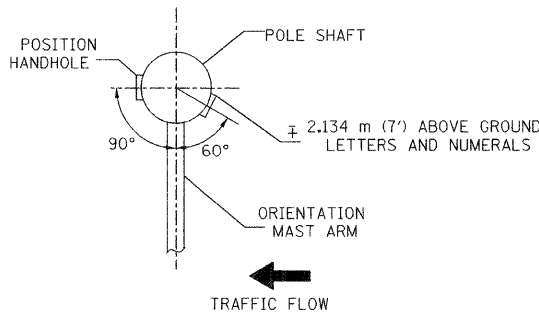
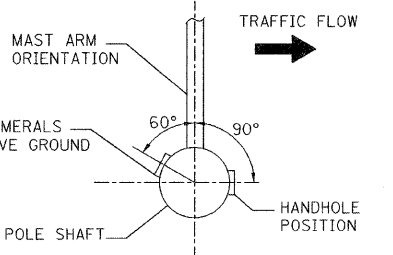


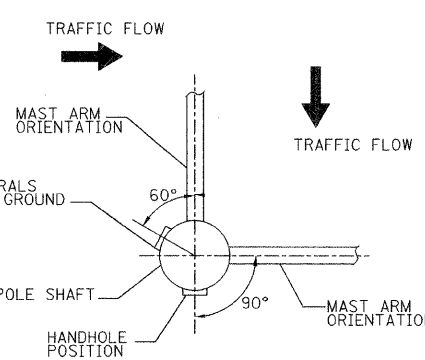
1 ALUMINUM LIGHT POLE (TYPE - A1)
NOT TO SCALE



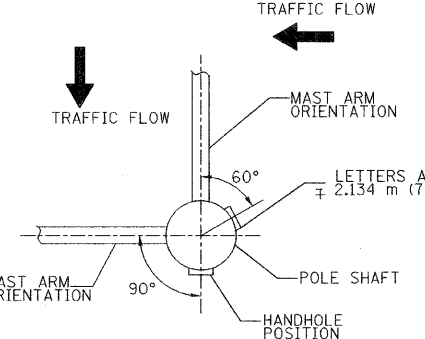
POSITION OF HANDHOLE AND POLE NUMBER FOR SINGLE MAST ARM POLES



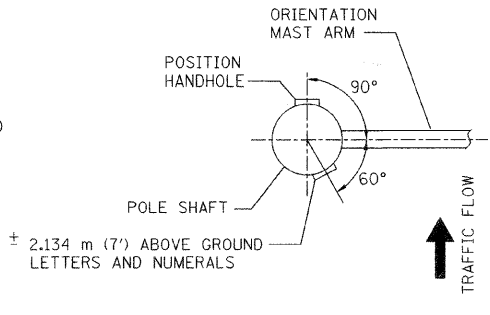
POSITION OF HANDHOLE AND POLE NUMBER FOR SINGLE MAST ARM POLES



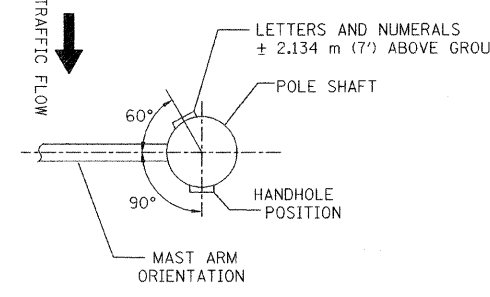
POSITION OF HANDHOLE AND POLE NUMBER FOR SINGLE MAST ARM POLES



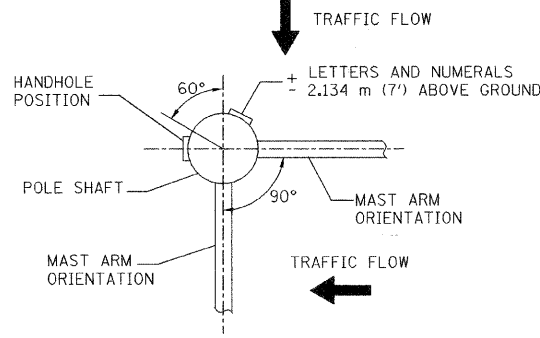
POSITION OF HANDHOLE AND POLE NUMBER FOR SINGLE MAST ARM POLES



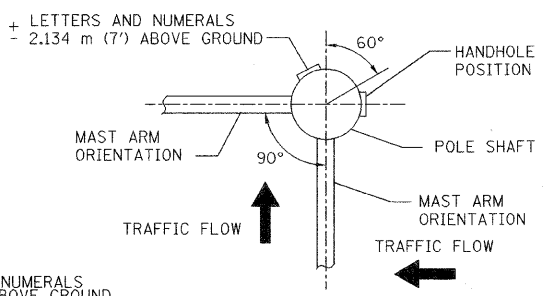
POSITION OF HANDHOLE AND POLE NUMBER FOR SINGLE MAST ARM POLES



SINGLE MAST ARM POLES POSITION OF HANDHOLE AND POLE NUMBER FOR

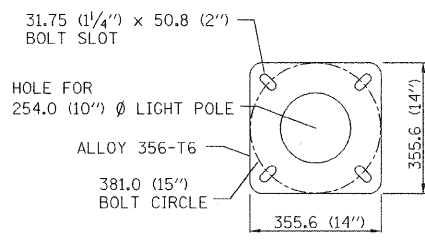


POSITION OF HANDHOLE AND POLE NUMBER FOR SINGLE MAST ARM POLES



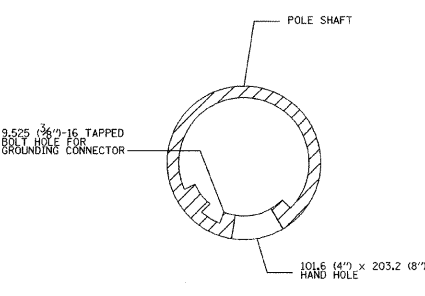
POSITION OF HANDHOLE AND POLE NUMBER FOR SINGLE MAST ARM POLES

- NOTES:**
1. ALL DIMENSIONS ARE IN MILLIMETERS (INCHES) UNLESS OTHERWISE SHOWN.
 2. MOUNTING HEIGHT IS DEFINED AS THE DISTANCE FROM THE CENTERLINE OF THE TENON TO THE BOTTOM OF THE ANCHOR BASE.
 3. TWO PIECE SHAFT WILL BE MATCHED MARKED AND INTERCHANGEABLE BETWEEN DIFFERENT UNITS. FIELD DRILLING OF HOLES WILL NOT BE ALLOWED.
 4. THE LIGHT POLE WILL MEET AASHTO DESIGN CRITERIA AS SPECIFIED.
 5. THE INSTALLING CONTRACTOR WILL PROVIDE A UL LISTED GROUNDING CONNECTOR, BURNDY K2C323, T&B SP4DL OR APPROVED EQUAL.
 6. LIGHT POLES WILL NOT BE INSTALLED WITHOUT MAST ARMS AND LUMINAIRES.
 7. LIGHT POLES WILL BE SET PLUMB ON THE FOUNDATION WITHOUT THE USE OF LEVELING NUTS, WASHERS OR SHIMS.
 8. LIGHTING UNIT IDENTIFICATION NUMBERS SHALL BE INSTALLED BEFORE THE LIGHTING UNIT IS ENERGIZED.



LIGHT POLE BASE PLATE DETAIL


2 381.0 (15") BOLT CIRCLE
NOT TO SCALE



3 HANDHOLE DETAIL
NOT TO SCALE

REVISIONS	
NAME	DATE
ADDENDUM 1 - NEW SHEET	8/28/08

INTERSECTION IMPROVEMENT
WASHINGTON STREET - 75th STREET
ELECTRICAL DETAILS
SHEET 2 OF 4

City of  **Naperville**

DRAWN: JRH	SHEET NO.
CHECKED: FO	
APPROVED: DEM	
DATE: 04/11/08	
SCALE:	
JOB NO.: P-91-494-00	PROJECT NO.: CMM-7003 (983)



C:\WORK\REVIEWS\REVIEWS.PLT 8/28/2008 4:03:10 PM