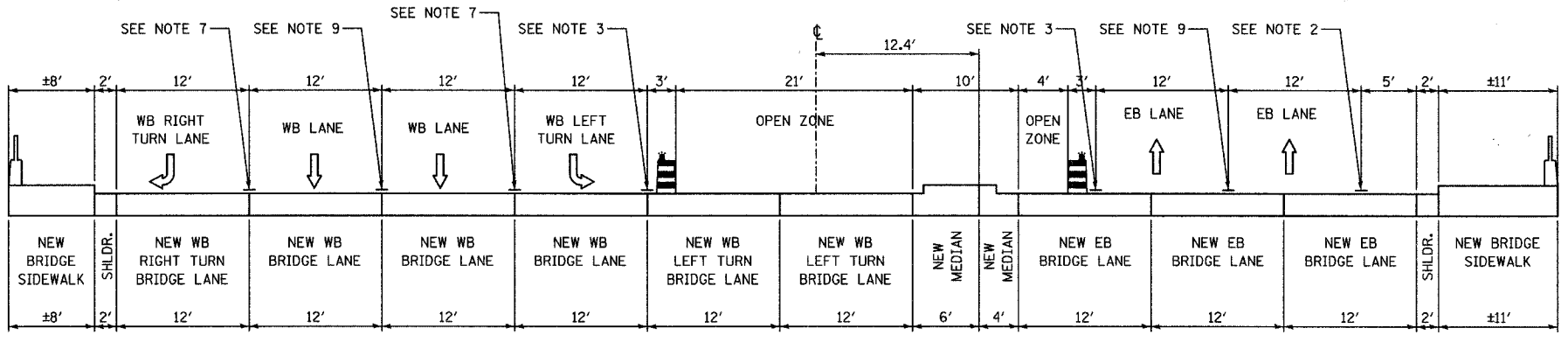
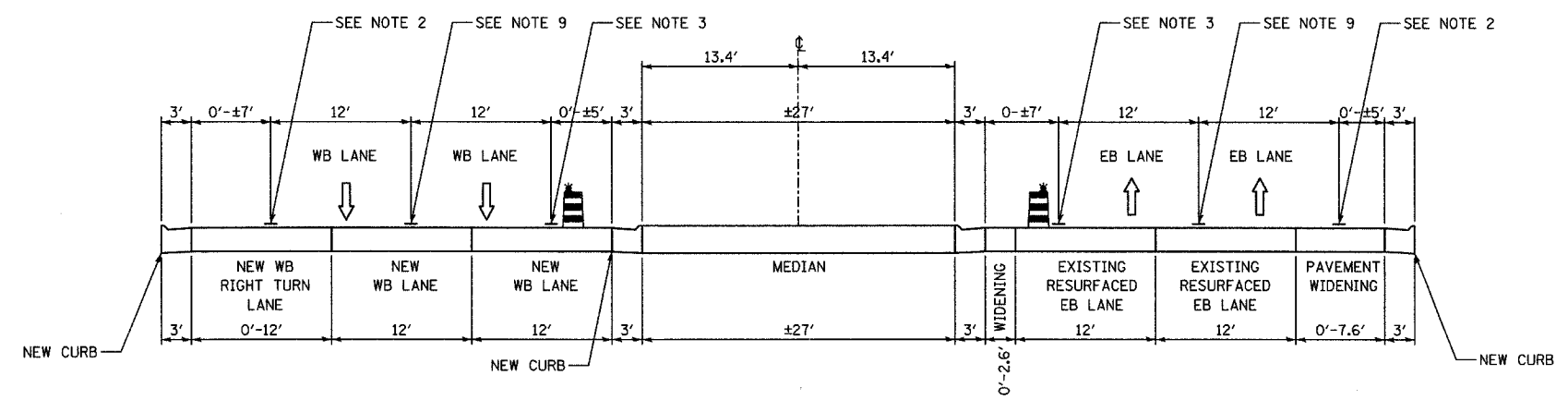


| | | | | |
|---------------------|----------------|---------------------------|--------------|-----------|
| F.A.U. RTE. | SECTION | COUNTY | TOTAL SHEETS | SHEET NO. |
| 2552 | 00-00114-00-PV | DuPAGE | 563 | 81 |
| STA. | | TO STA. | | |
| FED. ROAD DIST. NO. | | ILLINOIS FED. AID PROJECT | | |
| CONTRACT NO. 63024 | | | | |



BBB-BBB
STAGE 3: E. 75TH STREET; STA. 151+07 TO STA. 152+19



CCC-CCC
STAGES 3: E. 75TH STREET; STA. 156+19 TO STA. 163+40

- NOTE 1** - EXISTING PAVEMENT MARKING
- NOTE 2** - TEMPORARY PAVEMENT MARKING- LINE 4" (WHITE)
- NOTE 3** - TEMPORARY PAVEMENT MARKING- LINE 4" (YELLOW)
- NOTE 4** - TEMPORARY PAVEMENT MARKING- DOUBLE 4" (YELLOW), 11" CENTER TO CENTER
- NOTE 5** - TEMPORARY PAVEMENT MARKING- SKIP-DASH 4" (WHITE), 2' LINE WITH 6' SPACE
- NOTE 6** - TEMPORARY PAVEMENT MARKING- LINE 8" (WHITE)
- NOTE 7** - TEMPORARY PAVEMENT MARKING- LINE 6" (WHITE)
- NOTE 8** - TEMPORARY PAVEMENT MARKING- ON BARRIER WALL- LINE 6" (WHITE)
- NOTE 9** - TEMPORARY PAVEMENT MARKING- SKIP-DASH 4" (WHITE) 10' LINE WITH 30' SPACE
- NOTE 10** - TEMPORARY PAVEMENT MARKING- ON BARRIER WALL- LINE 6" (YELLOW)

- LEGEND:**
- TEMPORARY CONCRETE BARRIER (WITH REFLECTORS ON TOP AND SIDE FACING TRAFFIC)
 - TRAFFIC MOVEMENT
 - DRUM WITH MONO-DIRECTIONAL STEADY BURNING LIGHT
 - TYPE II BARRICADE WITH MONO-DIRECTIONAL STEADY BURNING LIGHT
 - WORK ZONE AREA
 - TEMPORARY PAVEMENT
- ALL MOT TYPICAL SECTIONS ARE DRAWN GOING UP-STATION
- DOUBLE YELLOW ONLY APPLIED ADJACENT TO MEDIAN - SEE PLANS FOR ADDITIONAL DETAIL

| REVISIONS | |
|-----------|------|
| NAME | DATE |
| | |
| | |
| | |
| | |
| | |
| | |
| | |
| | |
| | |
| | |

INTERSECTION IMPROVEMENT
WASHINGTON STREET - 75th STREET
MAINTENANCE OF TRAFFIC
TYPICAL SECTIONS
SHEET 13 OF 13

CONSULTANT
TYLININTERNATIONAL

City of **Naperville**

| | |
|----------------------|-------------------------------|
| DRAWN: | SHEET NO. |
| CHECKED: | |
| APPROVED: | |
| DATE: APRIL 11, 2008 | |
| SCALE: | |
| JOB NO.: P-9J-494-00 | PROJECT NO.: M-CMM-7003 (985) |

NAME

4/11/2008 10:26:42 AM