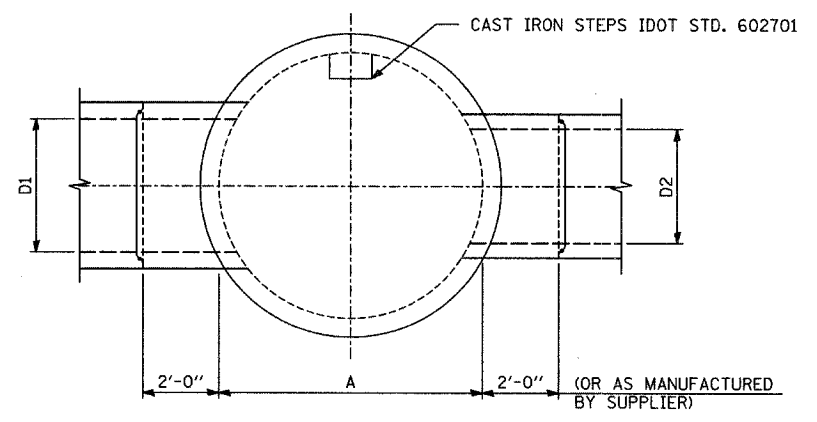
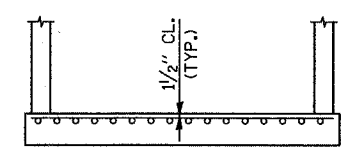


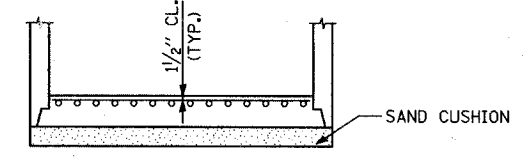
**PLAN VIEW**



**SECTIONAL PLAN**

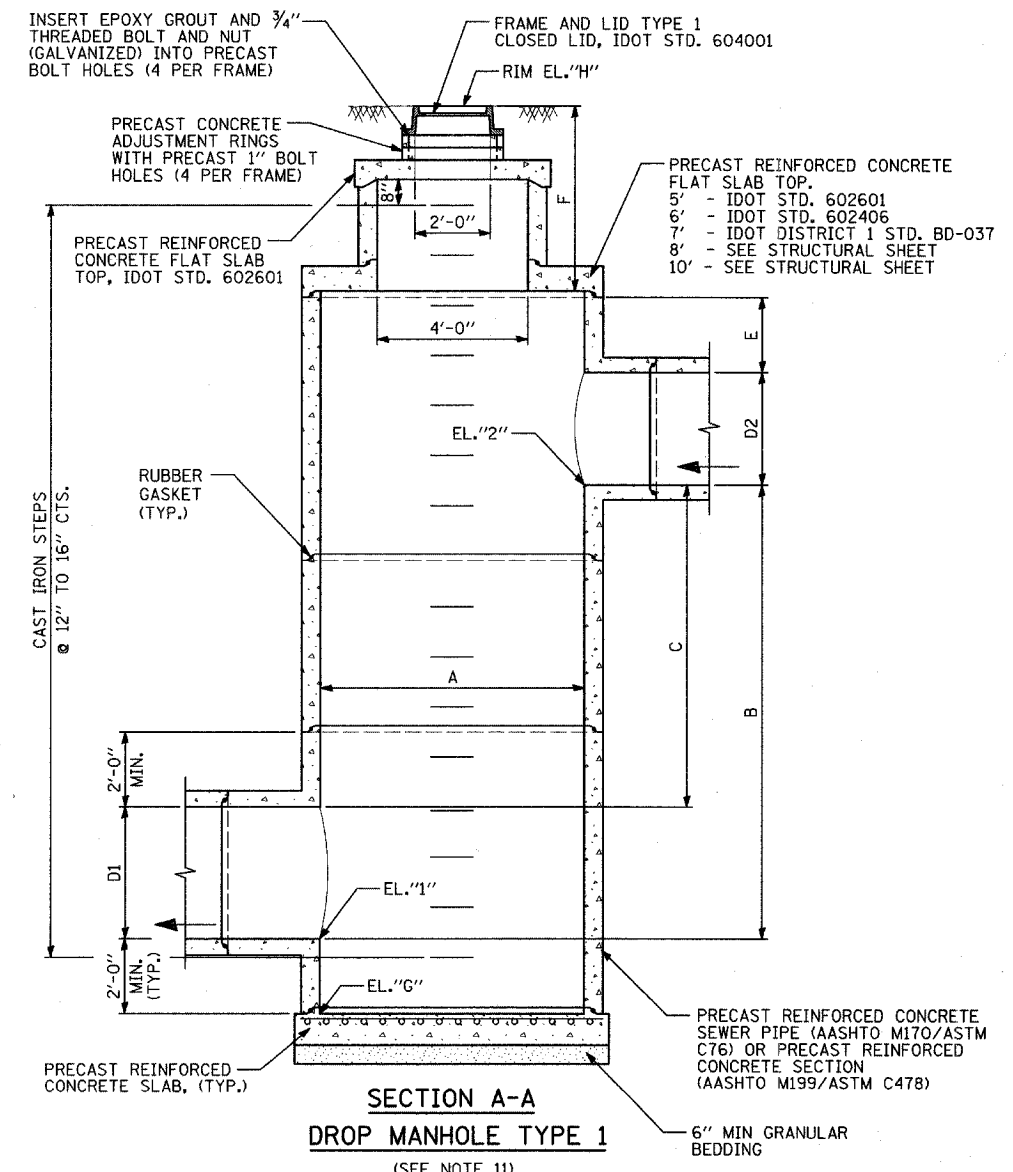


REINFORCED CAST-IN-PLACE CLASS X CONCRETE

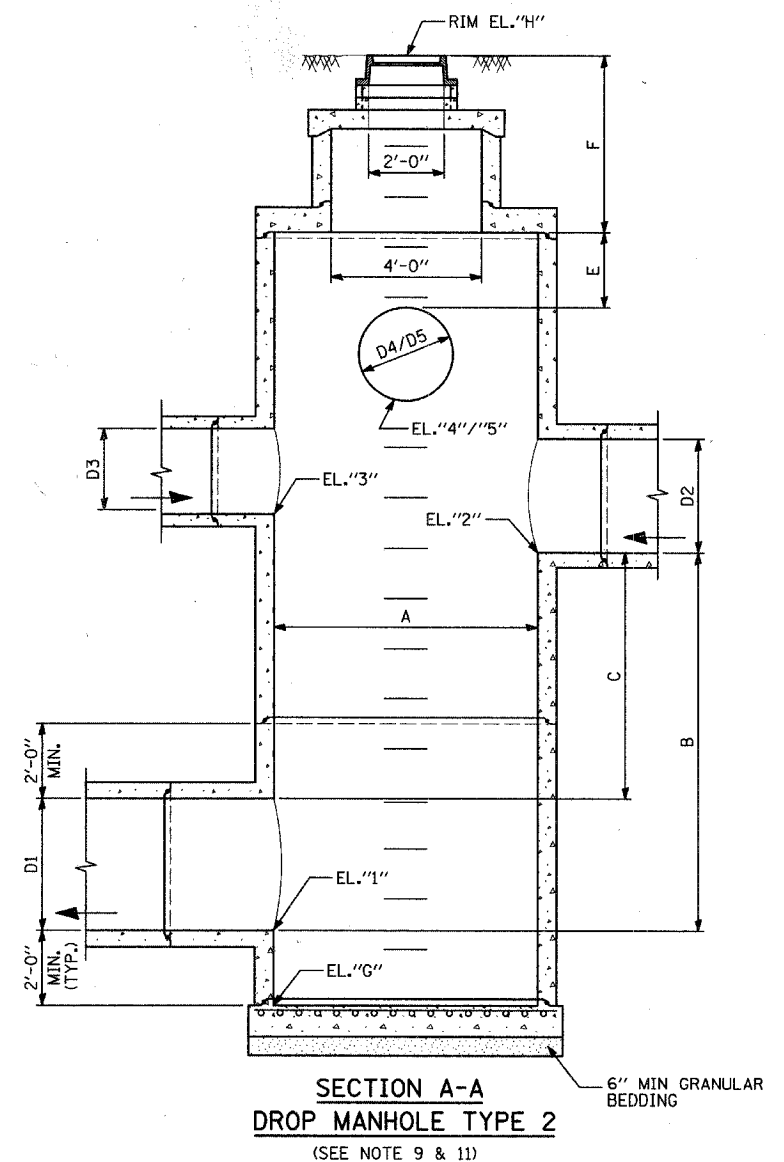


PREFABRICATED REINFORCED CONCRETE SLAB WHEN THE PRECAST REINFORCED CONCRETE SECTIONS ALTERNATE IS USED WITH SAND CUSHION

**ALTERNATE BOTTOM SLAB**



**SECTION A-A  
DROP MANHOLE TYPE 1  
(SEE NOTE 11)**



**SECTION A-A  
DROP MANHOLE TYPE 2  
(SEE NOTE 9 & 11)**

**NOTES:**

- 1) ALL DIMENSIONS ARE INSIDE DIMENSIONS.
- 2) UTILIZE PIPE "T" SECTIONS WHENEVER AVAILABLE.
- 3) PRESET PIPE OPENINGS IN PRECAST REINFORCED CONCRETE SECTIONS IF "T" SECTIONS AND SPECIAL FITTINGS ARE NOT AVAILABLE.
- 4) ROTATE FLAT SLAB AND MANHOLE RISER SO STEPS AVOID STORM SEWER OPENINGS.
- 5) CAST IRON STEPS SHALL BE GRAY IRON CONFORMING TO THE REQUIREMENTS OF ARTICLE 1006.14 OF THE STANDARD SPECIFICATIONS. STEPS SHALL BE EMBEDDED INTO THE WALL A MINIMUM OF THREE (3) INCHES. STEPS SHALL NOT BE EXTENDED ON THE OUTSIDE.
- 6) JOINT CONFIGURATION AND DIMENSIONS OF FLAT SLAB TOP SHALL MATCH AND FIT THE RISER JOINT DETAIL.
- 7) LIFTING DEVICES SHALL BE APPROVED BY THE ENGINEER.
- 8) ALL WORK SHALL BE AS PER AASHTO REQUIREMENTS. ASTM IS LISTED AS SUPPLEMENTARY.
- 9) SIMILAR TO TYPE 1, ALSO WITH SEWERS D3, D4 AND D5.
- 10) SIMILAR TO TYPE 1, ALSO WITH SEWERS D3, D4, D5 AND LOWER D2.
- 11) DROP MANHOLE TYPE 1 AND TYPE 3 ARE NOT USED ON THIS PROJECT.

**DROP MANHOLE SCHEDULE**

STRUCT NUMBER	TYPE	LOCATION	STATION	OFFSET	DIMENSIONS										ELEVATIONS (FT)							
					A (FT)	B (FT)	C (FT)	D1 (IN)	D2 (IN)	D3 (IN)	D4 (IN)	D5 (IN)	E (FT)	F (FT)	1	2	3	4	5	G	H	
11	1	WASH ST.	426+07.83	29.3 LT	5	6.54	4.54	24	12	-	-	-	2	2.63	664.83	671.37	-	-	-	662.83	677.00	
515	2	75TH ST.	134+34.58	4.00 RT	8	4.50	1.50	36	36	-	12	12	2	3.20	674.61	679.11	-	680.41	680.96	672.61	687.31	
525	2	75TH ST.	138+75.03	7.00 RT	8	4.00	0.50	42	36	-	12	12	2	2.65	668.00	672.00	-	675.06	675.18	666.00	681.43	
64	2	75TH ST.	143+45.07	5.70 LT	7	5.97	0.97	60	42	-	12	12	2	4.43	659.58	665.55	-	665.42	667.30	657.58	673.70	
619	2	75TH ST.	149+15.57	143.4 LT	9	6.78	2.88	48X76	60	-	12	-	-	4.34	647.60	654.38	-	661.80	-	645.60	665.72	

REVISIONS	
NAME	DATE

**INTERSECTION IMPROVEMENT  
WASHINGTON STREET - 75th STREET  
DRAINAGE STRUCTURE DETAILS  
DROP MANHOLE  
SHEET 4A OF 4**

**TYLIN INTERNATIONAL**

City of **Naperville**

DRAWN: \_\_\_\_\_  
 CHECKED: \_\_\_\_\_  
 APPROVED: \_\_\_\_\_  
 DATE: APRIL 11, 2008  
 SCALE: \_\_\_\_\_  
 JOB NO.: P-91-494-00  
 PROJECT NO.: M-CMM-7003 (985)