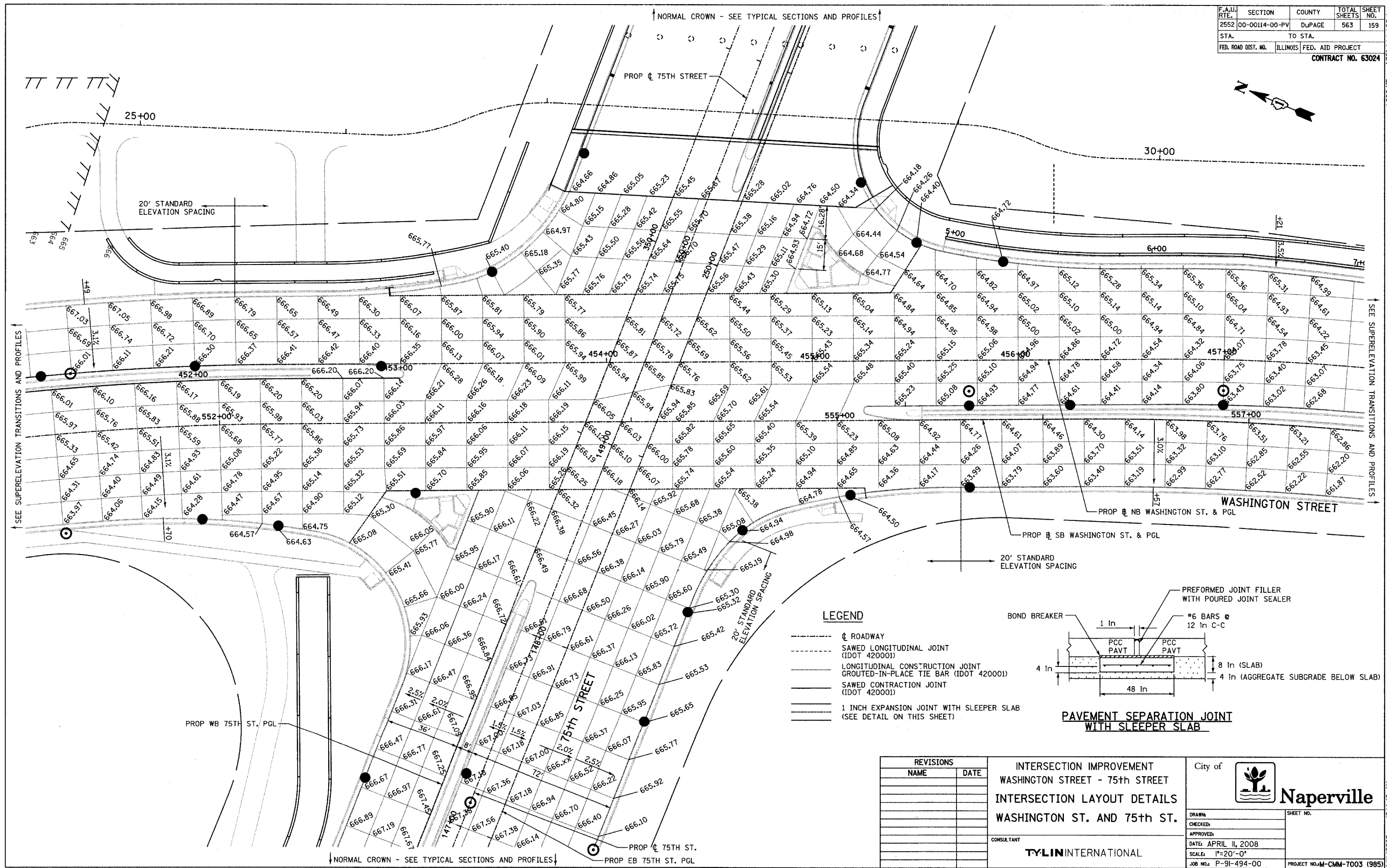
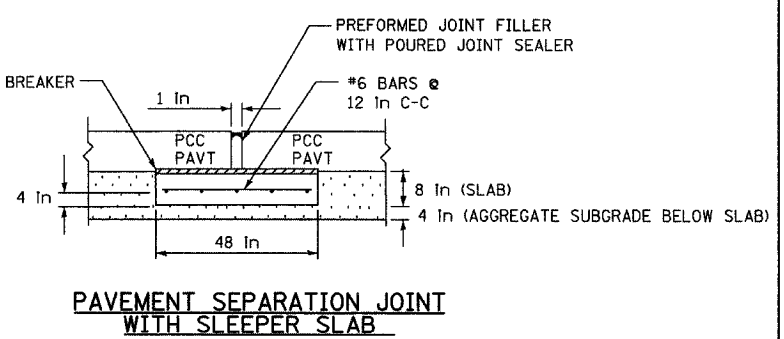


F.A.I. RTE.	SECTION	COUNTY	TOTAL SHEETS	SHEET NO.
2552	00-00114-00-PV	DUPAGE	563	159
STA.	TO STA.			
FED. ROAD DIST. NO.	ILLINOIS	FED. AID PROJECT		
CONTRACT NO. 63024				




- LEGEND**
- ROADWAY
  - SAWED LONGITUDINAL JOINT (IDOT 420001)
  - LONGITUDINAL CONSTRUCTION JOINT GROUTED-IN-PLACE TIE BAR (IDOT 420001)
  - SAWED CONTRACTION JOINT (IDOT 420001)
  - 1 INCH EXPANSION JOINT WITH SLEEPER SLAB (SEE DETAIL ON THIS SHEET)



REVISIONS	
NAME	DATE

INTERSECTION IMPROVEMENT  
 WASHINGTON STREET - 75th STREET  
 INTERSECTION LAYOUT DETAILS  
 WASHINGTON ST. AND 75th ST.

CONSULTANT  
**TYLIN INTERNATIONAL**

City of  **Naperville**

DRAWN: \_\_\_\_\_ SHEET NO. \_\_\_\_\_  
 CHECKED: \_\_\_\_\_  
 APPROVED: \_\_\_\_\_  
 DATE: APRIL 11, 2008  
 SCALE: 1"=20'-0"  
 JOB NO.: P-91-494-00 PROJECT NO.: M-CMM-7003 (985)