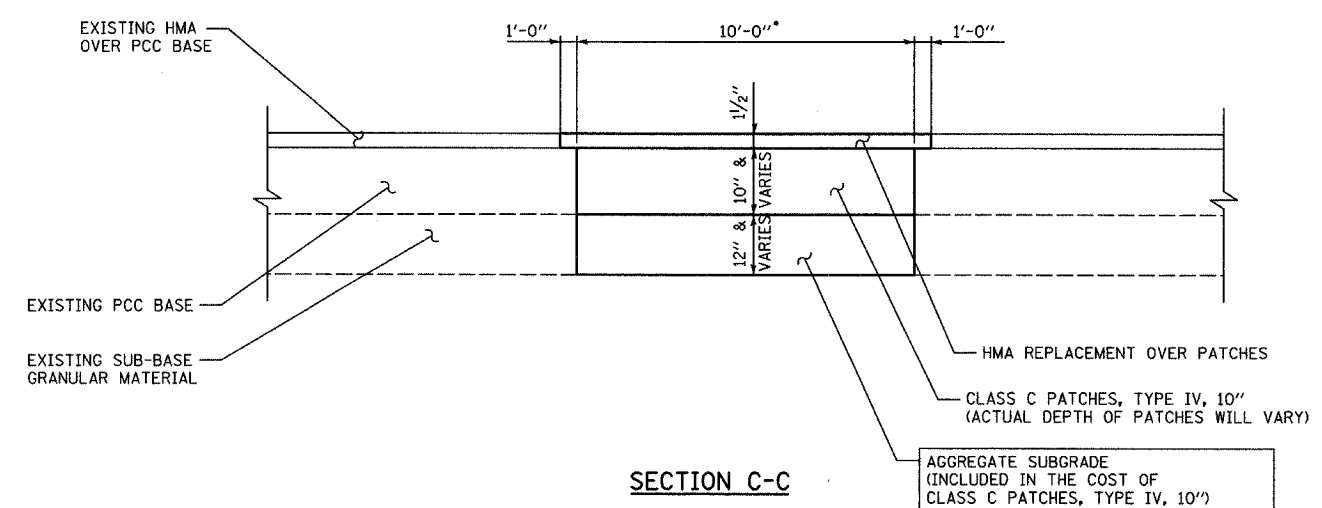
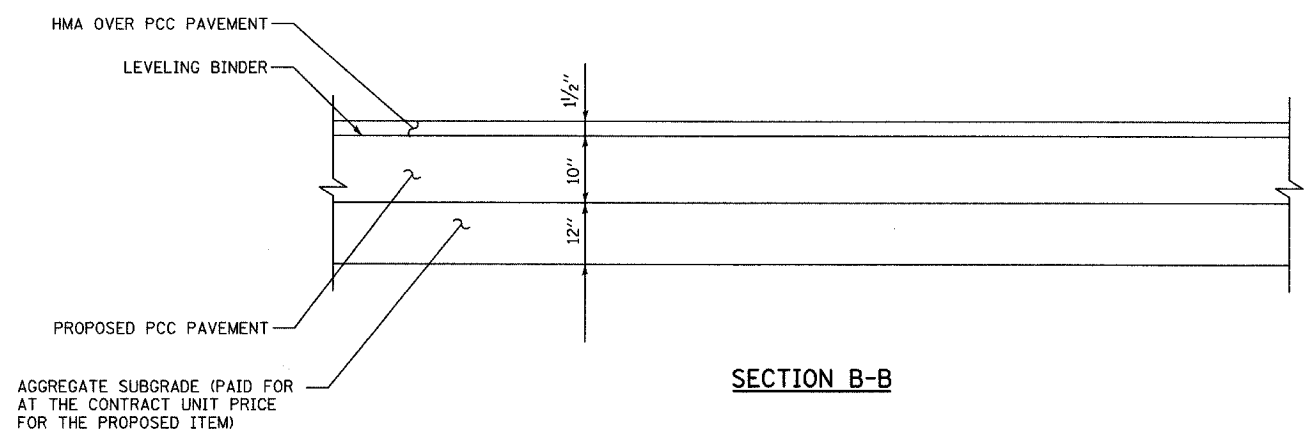


| | | | | |
|---------------------|---------------------------|--------|--------------|-----------|
| F.A.U. RTE. | SECTION | COUNTY | TOTAL SHEETS | SHEET NO. |
| 2552 | 00-00114-00-PV | DuPAGE | 563 | 189 |
| STA. | TO STA. | | | |
| FED. ROAD DIST. NO. | ILLINOIS FED. AID PROJECT | | | |
| CONTRACT NO. 63024 | | | | |



NOTES:


- QUANTITIES HAVE BEEN PROVIDED FOR A MAXIMUM TRENCH WIDTH OF 5'-0" EITHER SIDE FROM SEWER OR DRAINAGE STRUCTURE CENTER LINE. TRENCH WIDTH AND PATCH MAY BE REDUCED BY THE CONTRACTOR UPON APPROVAL OF THE ENGINEER.

ADDITIONAL THICKNESS OF PROPOSED CLASS C PATCHES NEEDED TO MATCH EXISTING PCC BASE COURSE SHALL BE INCLUDED IN THE COST OF CLASS C PATCHES, TYPE IV 10 INCH.

| REVISIONS | |
|-----------|------|
| NAME | DATE |
| | |
| | |
| | |
| | |
| | |
| | |
| | |
| | |
| | |
| | |

INTERSECTION IMPROVEMENT
 WASHINGTON STREET - 75th STREET
 MISCELLANEOUS DETAILS:
 PAVEMENT PATCHING OVER SEWER
 TRENCHES: TYPICAL SECTIONS
 SHEET 2 OF 2

CONSULTANT
TYLIN INTERNATIONAL

City of  **Naperville**

DRAWN: _____ SHEET NO. _____
 CHECKED: _____
 APPROVED: _____
 DATE: APRIL 11, 2008
 SCALE: _____
 JOB NO.: P-91-494-00 PROJECT NO.: M-CMM-7003 (985)

4/11/2008 10:51:3 AM P:\63024\Road\58901.dwg