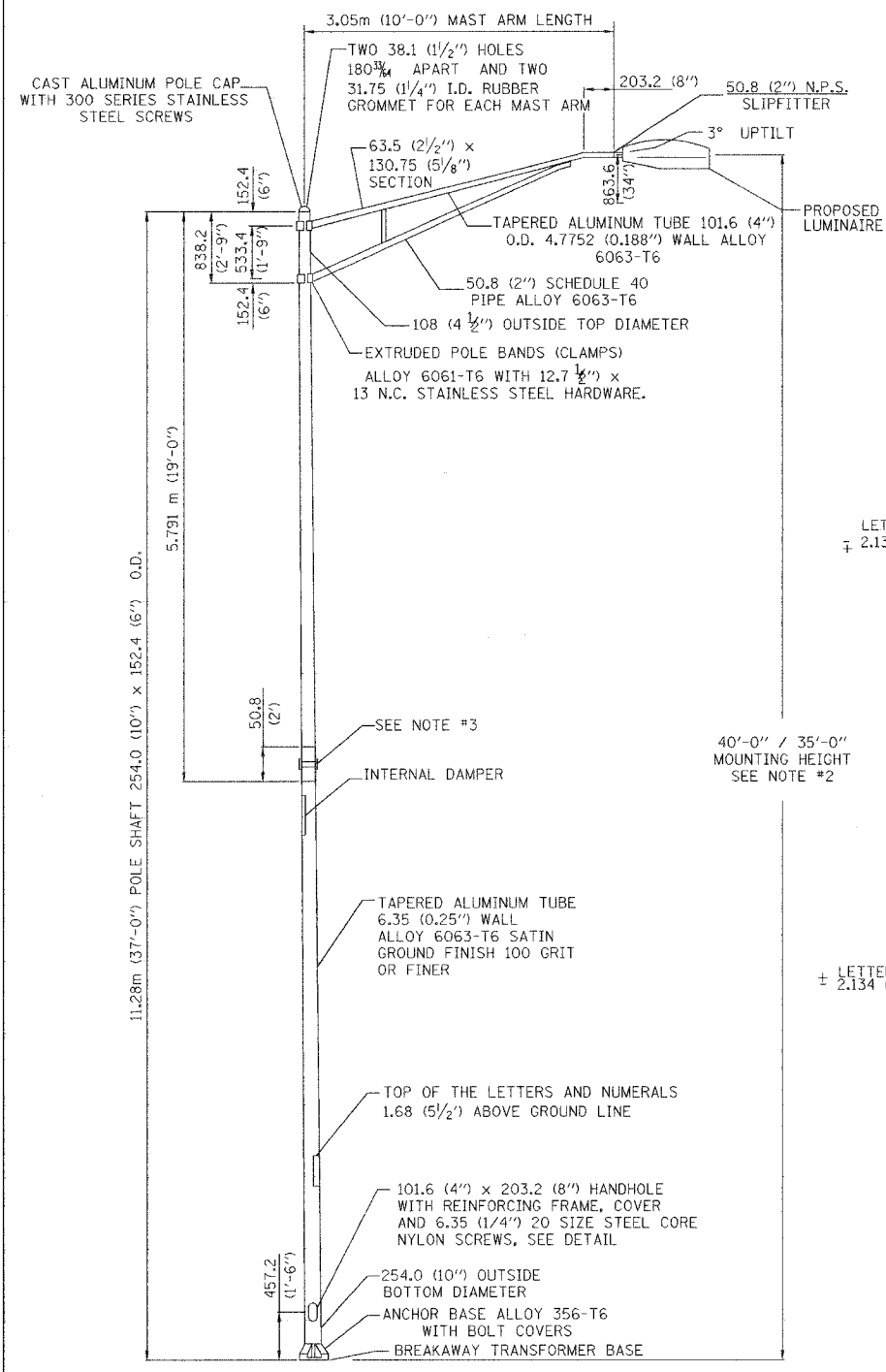
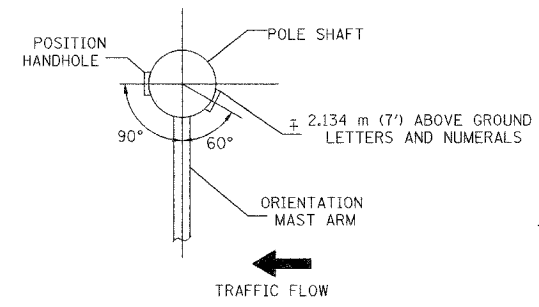


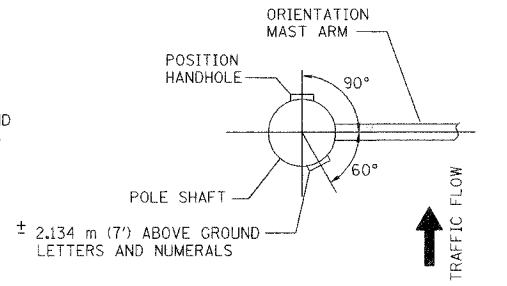
F. ARI. RTE.	SECTION	COUNTY	TOTAL SHEETS	SHEET NO.
2552	00-00114-00-PV	DUPAGE	563	223
STA.	TO STA.			
FED. ROAD DIST. NO.	ILLINOIS	FED. AID PROJECT		



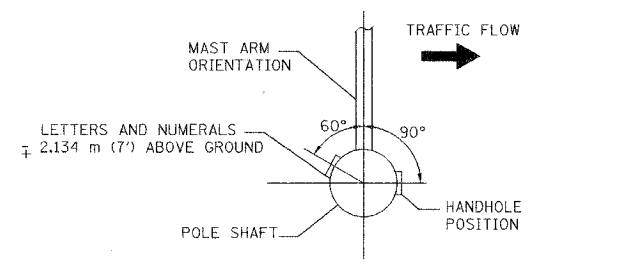
**1 ALUMINUM LIGHT POLE (TYPE - A1)**  
NOT TO SCALE



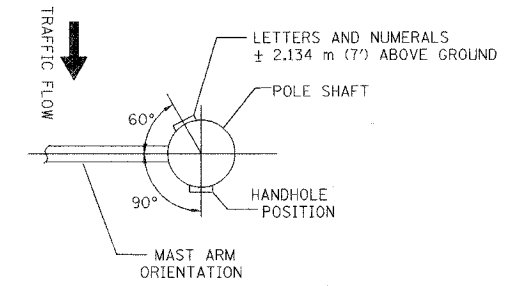
**POSITION OF HANDHOLE AND POLE NUMBER FOR SINGLE MAST ARM POLES**



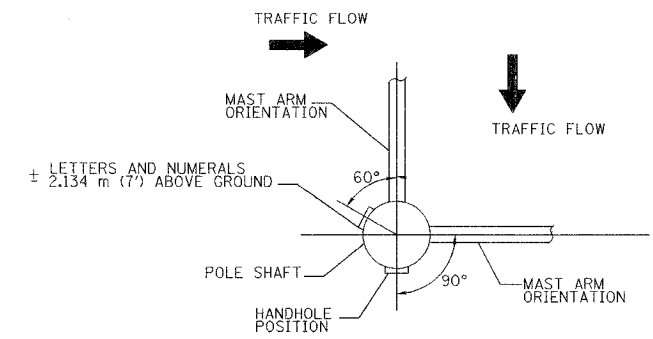
**POSITION OF HANDHOLE AND POLE NUMBER FOR SINGLE MAST ARM POLES**



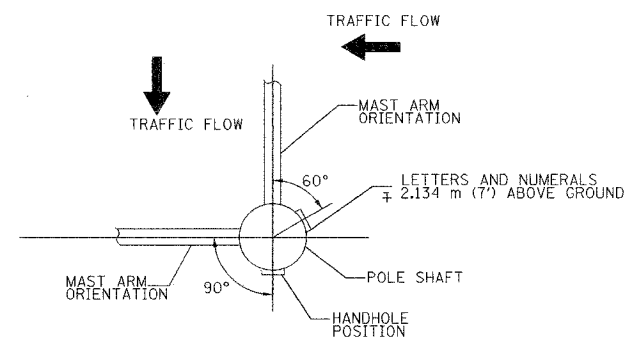
**POSITION OF HANDHOLE AND POLE NUMBER FOR SINGLE MAST ARM POLES**



**SINGLE MAST ARM POLES POSITION OF HANDHOLE AND POLE NUMBER FOR**

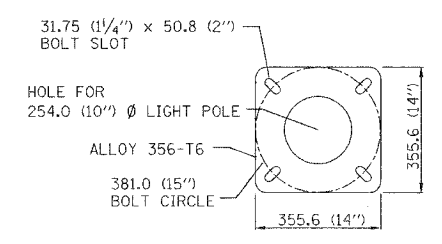


**POSITION OF HANDHOLE AND POLE NUMBER FOR SINGLE MAST ARM POLES**

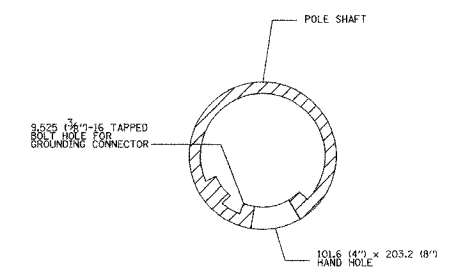


**POSITION OF HANDHOLE AND POLE NUMBER FOR SINGLE MAST ARM POLES**

- NOTES:**
1. ALL DIMENSIONS ARE IN MILLIMETERS (INCHES) UNLESS OTHERWISE SHOWN.
  2. MOUNTING HEIGHT IS DEFINED AS THE DISTANCE FROM THE CENTERLINE OF THE TENON TO THE BOTTOM OF THE ANCHOR BASE.
  3. TWO PIECE SHAFT WILL BE MATCHED MARKED AND INTERCHANGEABLE BETWEEN DIFFERENT UNITS. FIELD DRILLING OF HOLES WILL NOT BE ALLOWED.
  4. THE LIGHT POLE WILL MEET AASHTO DESIGN CRITERIA AS SPECIFIED.
  5. THE INSTALLING CONTRACTOR WILL PROVIDE A UL LISTED GROUNDING CONNECTOR, BURNDY K2C323, T&B SP4DL OR APPROVED EQUAL.
  6. LIGHT POLES WILL NOT BE INSTALLED WITHOUT MAST ARMS AND LUMINAIRES.
  7. LIGHT POLES WILL BE SET PLUMB ON THE FOUNDATION WITHOUT THE USE OF LEVELING NUTS, WASHERS OR SHIMS.
  8. LIGHTING UNIT IDENTIFICATION NUMBERS SHALL BE INSTALLED BEFORE THE LIGHTING UNIT IS ENERGIZED.



**LIGHT POLE BASE PLATE DETAIL**  
**2 381.0 (15'') BOLT CIRCLE**  
NOT TO SCALE



**3 HANDHOLE DETAIL**  
NOT TO SCALE



REVISIONS	
NAME	DATE

INTERSECTION IMPROVEMENT  
WASHINGTON STREET - 75th STREET  
ELECTRICAL DETAILS  
SHEET 2 OF 4

CONSULTANT  
**TYLIN INTERNATIONAL**

City of		<b>Naperville</b>
DRAWN: FO	CHECKED: FI	APPROVED: DEM
DATE: 04/11/08	SCALE:	JOB NO.: P-91-494-00
SHEET NO.	PROJECT NO.: CMM-7003 (983)	